

Parts List for:

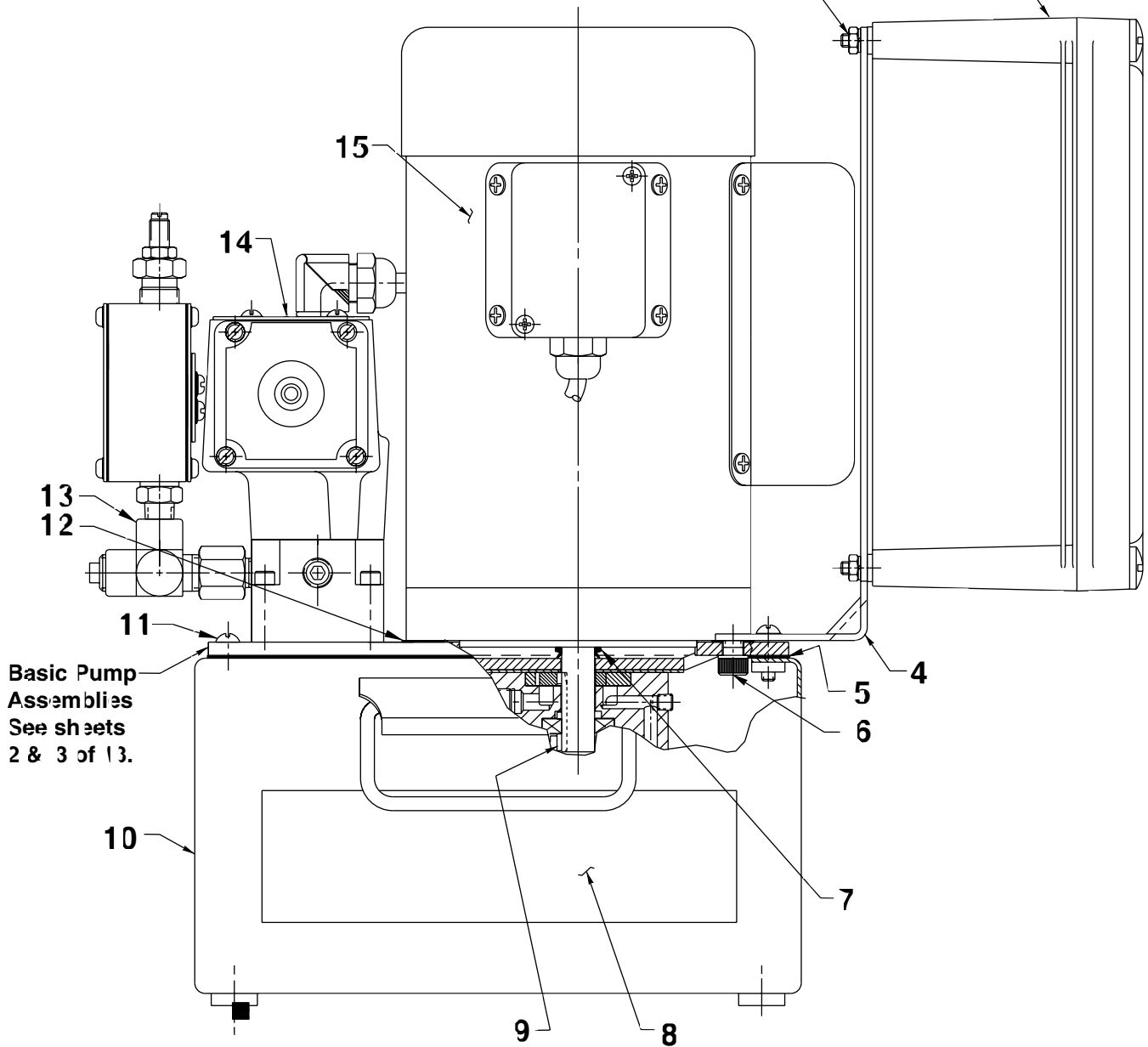
PE462-E220	PE462S-UK110	PE464S-E220
PE462-UK220	PE462S-UK220	PE464S-UK220
PE462A-E220	PE464-E220	PE464SP-E220
PE462A-UK220	PE464-UK110	PE464SP-UK220
PE462S-E220	PE464-UK220	

## ELECTRIC HYDRAULIC PUMP



Motor Control Assemblies  
See sheets 5, 6, 7, 3,  
9 & 10 of 13

1, 2, 3



Basic Pump  
Assemblies  
See sheets  
2 & 3 of 13.

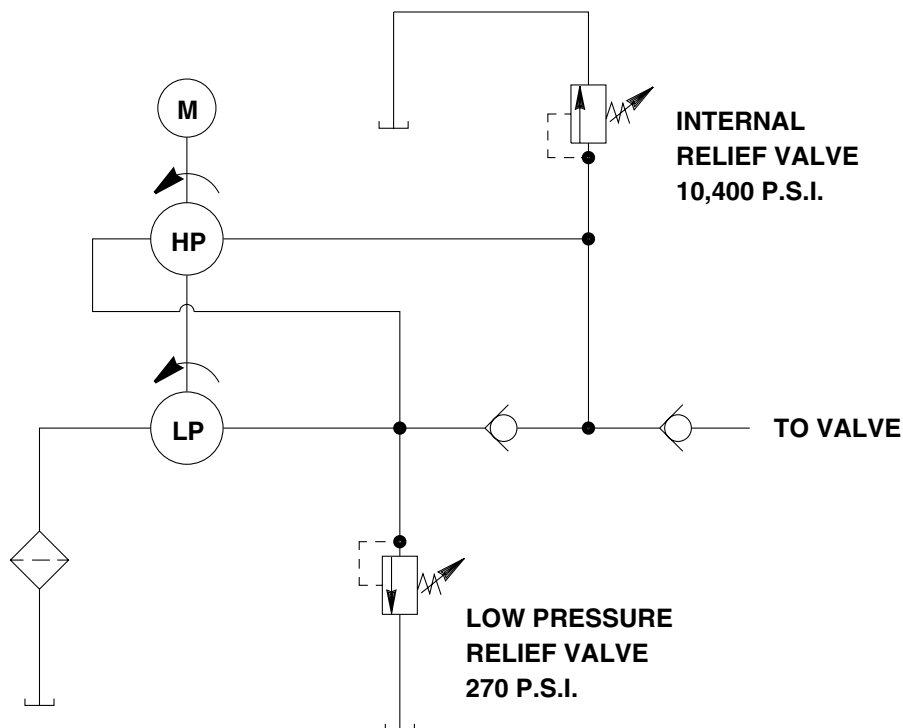
Item No.	Part No.	No. Req'd	Description
1	10008	4	Cap Screw (1/4-20 UNC X 3/4 Lg.)
2	10245	4	Washer (For 1/4 bolt)
3	10199	4	Hex Nut (1/4-20 UNC)
4	64877BK2	1	Mounting Bracket
5	40164	1	Gasket
6	10464	4	Cap Screw (3/8-16 UNC x 3/4 Lg.)
7	213674	1	Packing
8	309219	2	Decal
9	214097	1	Key
10	64026OR9	1	Reservoir
11	10177	10	Machine Screw (1/4-20 UNC X 3/4 Lg.)
12	307425	1	Motor Base Gasket
13	10623	1	Tee Fitting (For PE464SP-E220 & PE464SP-UK220)
14	9584	1	Single-acting Valve (For PE462-E220 & PE462-UK220; See Form No. 101239)
	9610	1	Automatic Valve (For PE462A-E220 & PE464A-UK220; See Form No. 101200)
	9500	1	Manual Valve (For PE464-E220, PE464-UK220, & PE464-UK110; See Form No. 100623)
	61084-CE	1	Solenoid Valve (For PE464S-E220, PE464S-UK220, PE464SP-E220, & PE464SP-UK220; See Form No. 100540)
	421451	1	Solenoid Valve (For PE462S-E220 & PE462S-UK220; See Form No. 101803)
	421547	1	Solenoid Valve (For PE462S-UK110; See Form No. 101803)
15	58684	1	Electric Motor (1-1/2 H.P.)

**PARTS INCLUDED BUT NOT SHOWN**

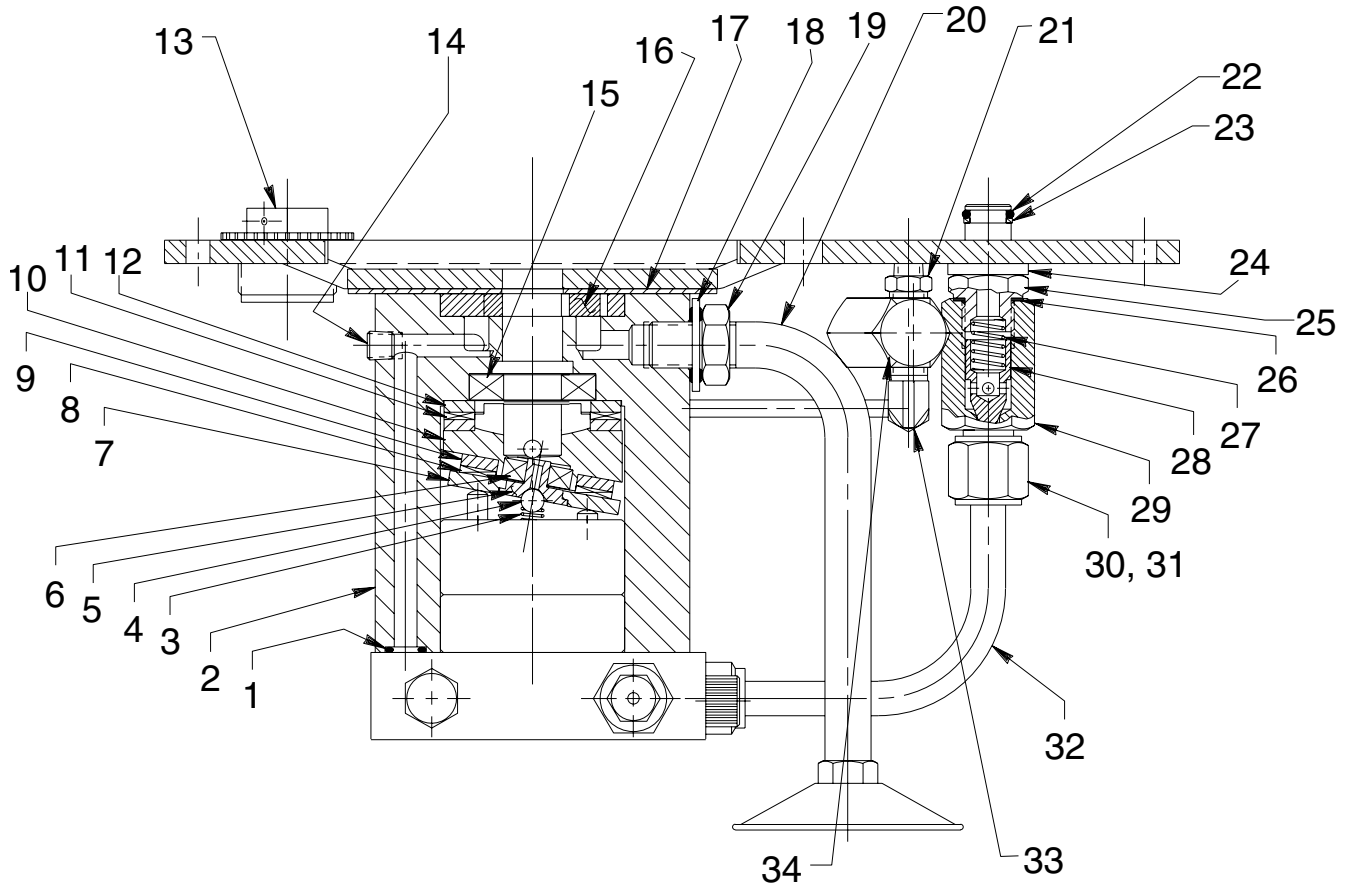
10009	2	Cap Screw (1/4-20 UNC X 3/4 Lg.)	} For mounting the mounting bracket [Item #4] to the pump cover plate.
11351	2	Lockwasher (1/4 External Tooth)	
10245	2	Washer (For 1/4 bolt)	
10199	2	Hex Nut (1/4-20 UNC)	
252047	1	Decal (Pressure Regulator)	



**HYDRAULIC SCHEMATIC**



### BASIC PUMP ASSEMBLY - SIDE VIEW (For all pumps EXCEPT PE464SP-E220 & PE464SP-UK220)

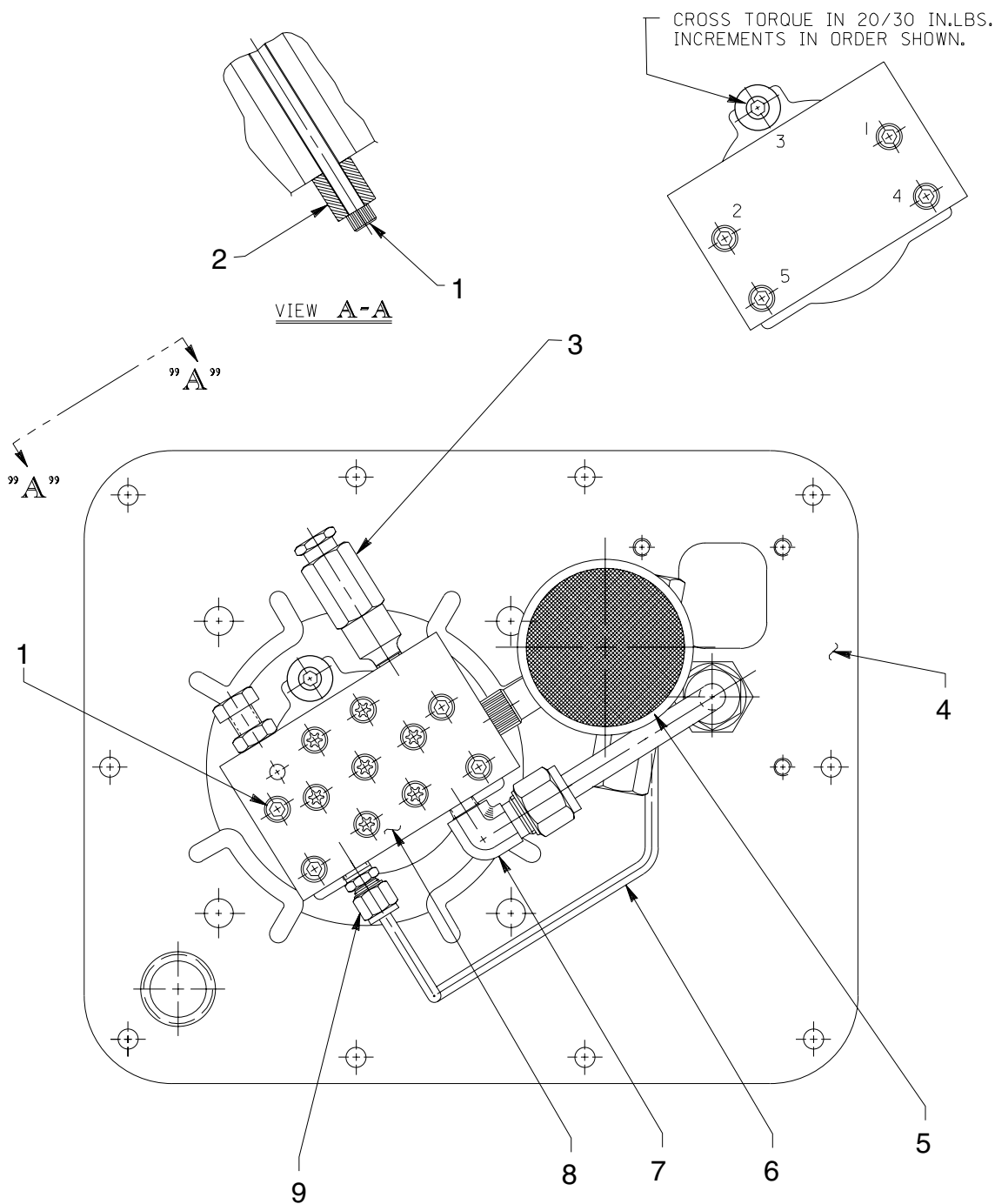


Item No.	Part No.	No. Req'd	Description
1	10267	1	O-ring (7/16 x 5/16 x 1/16)
2	52883	1	Pump Body
3	16320	1	Compression Spring (1/4 O.D. x 3/4 Lg.)
4	10375	1	Steel Ball (1/4 dia.)
5	23547	1	Top Plate Bearing
6	11814	1	Ball Bearing
7	23548	1	Top Plate
8	15431	1	Needle Thrust Bearing
9	15432	1	Needle Thrust Bearing Race
10	35271	1	Angle Plate
11	11228	1	Needle Thrust Bearing
12	11227	2	Needle Thrust Bearing Race
13	213706	1	Filler Cap
14	11084	1	Pipe Plug (1/16 NPTF; Torque to 35/45 in. lbs. oiled)
15	15695	1	Ball Bearing
16	15693	1	Gerotor Set
17	307296	1	Wear Plate
18	213709	1	Washer Seal
19	10390	1	Nut (1/2-20 UNF)
20	213686	1	Intake Tube
21	215373	1	Straight Fitting (For PE462A-E220 & PE462A-UK220)

Item No.	Part No.	No. Req'd	Description
22	10268	1	O-ring (1/2 x 3/8 x 1/16)
23	11863	1	Backup Washer (1/2 x 3/8 x 1/16)
24	21484	1	Washer
25	214762	1	Valve Connector  (Note: The torque between the valve connector and the cover plate shall be 30 ft. lbs. max. The torque between the valve connector and the check valve body shall be 40-50 ft. lbs.)
26	10261	1	Copper Washer (3/4 x 19/32 x 1/32)
27	10425	1	Compression Spring (3/8 O.D. x 3/4 Lg.)
28	20771	1	Poppet
29	201879	1	Check Valve Body
30	10430	1	Tube Sleeve
31	10431	1	Tube Nut
32	307459	1	Oil Line Tube
33	11278	1	90° Fitting (For PE462A-E220 & PE462A-UK220)
34	21943	1	Accumulator Assembly (For PE462A-E220 & PE462A-UK220)

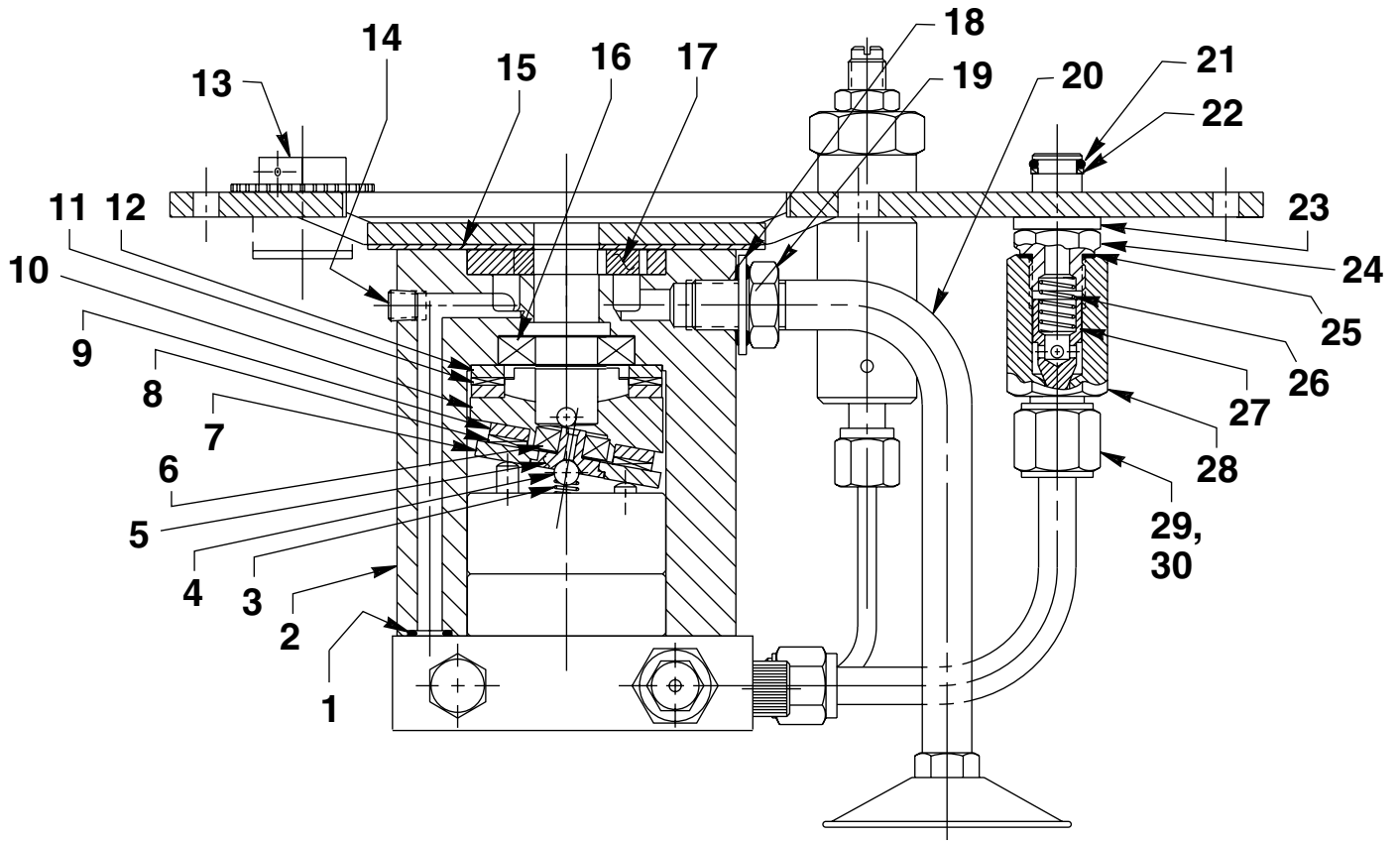
## BASIC PUMP ASSEMBLY - BOTTOM VIEW

(For all pumps EXCEPT PE464SP-220 & PE464SP-UK220)



Item No.	Part No.	No. Req'd	Description
1	15642	5	Cap Screw (1/4-20 x 5" Lg.; Torque to 55/65 in. lbs.)
2	214720	1	Spacer
3	21278	1	Relief Valve (Set at 10,100/10,700 PSI)
4	421162BK2	1	Cover Plate (For PE462-E220, PE464-E220, PE464UK220, PE464S-E220, PE464S-UK220, PE464-UK110, PE462S-E220, PE462S-UK110 & PE462S-UK220)
	421163BK2	1	Cover Plate (PE462A-E220 & PE462A-UK220)
5	29682	1	Strainer
6	47607	1	Oil Line (Pilot; For PE462A-E220 & PE462A-UK220)
7	10475	1	90° Elbow
8	36922	1	High Pressure Pump Assembly (See back sheet 4 of 13)
9	11173	1	Straight Fitting (For PE462A-E220 & PE462A-UK220)

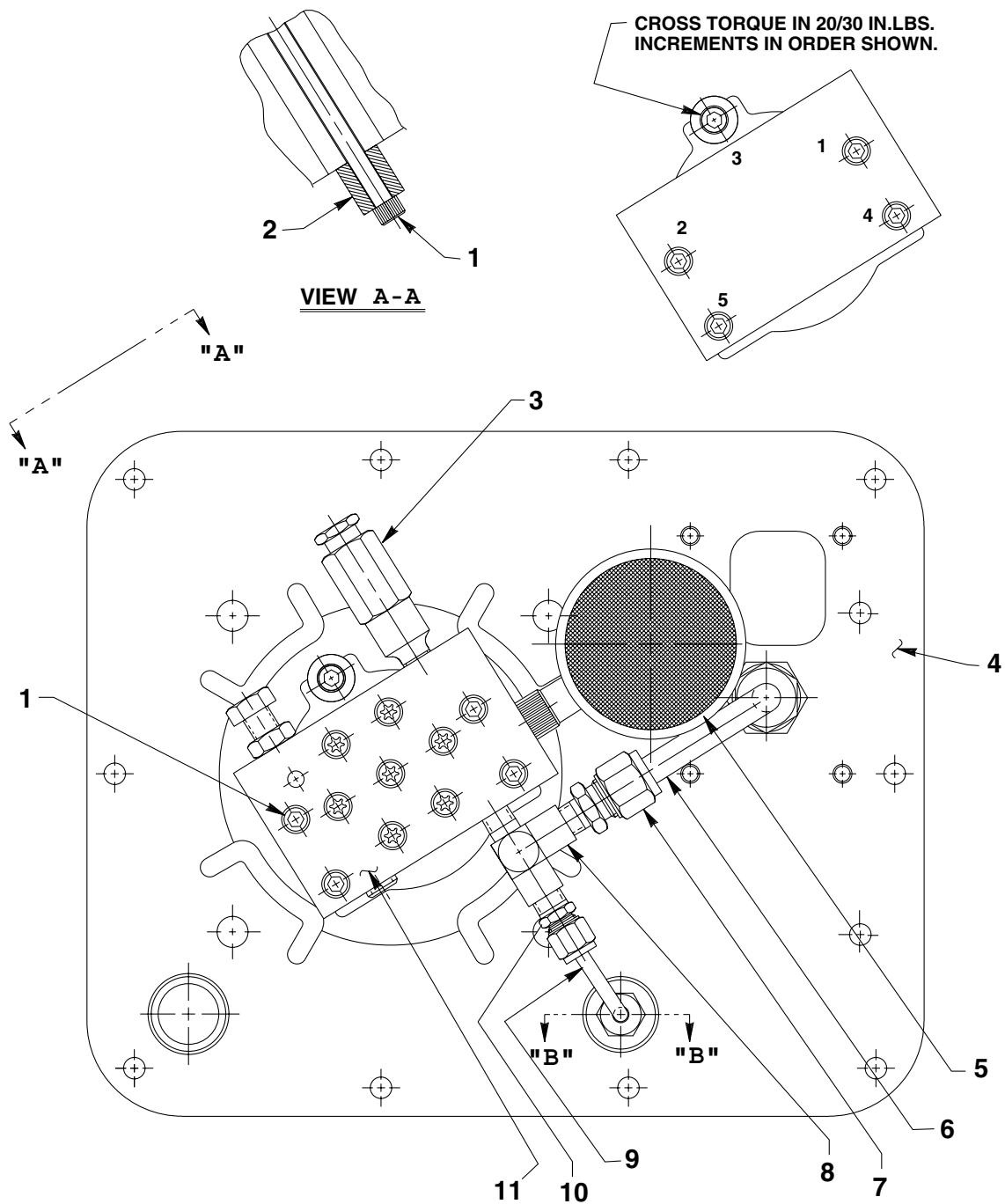
**BASIC PUMP ASSEMBLY - SIDE VIEW  
(For PE464SP-E220 & PE464SP-UK220)**



Item No.	Part No.	No. Req'd	Description
1	10267	1	O-ring (7/16 x 5/16 x 1/16)
2	52883	1	Pump Body
3	16320	1	Compression Spring (1/4 O.D. x 3/4 Lg.)
4	10375	1	Steel Ball (1/4 dia.)
5	23547	1	Top Plate Bearing
6	11814	1	Ball Bearing
7	23548	1	Top Plate
8	15431	1	Needle Thrust Bearing
9	15432	1	Needle Thrust Bearing Race
10	35271	1	Angle Plate
11	11228	1	Needle Thrust Bearing
12	11227	2	Needle Thrust Bearing Race
13	213706	1	Filler Cap
14	11084	1	Pipe Plug (1/16 NPTF; Torque to 35/45 in. lbs. oiled)
15	307296	1	Wear Plate
16	15695	1	Ball Bearing
17	15693	1	Gerotor Set
18	213709	1	Washer Seal
19	10390	1	Nut (1/2-20 UNF)

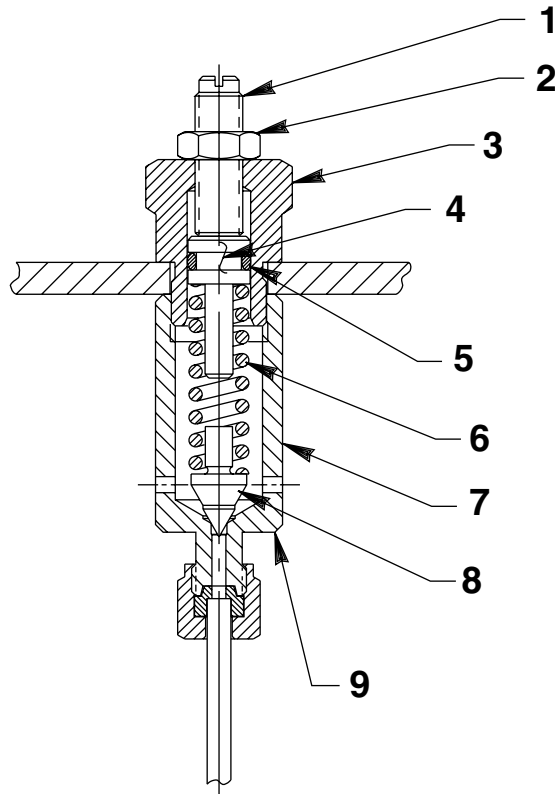
Item No.	Part No.	No. Req'd	Description
20	213686	1	Intake Tube
21	10268	1	O-ring (1/2 x 3/8 x 1/16)
22	11863	1	Backup Washer (1/2 x 3/8 x 1/16)
23	21484	1	Washer
24	214762	1	Valve Connector  (Note: The torque between the valve connector and the cover plate shall be 30 ft. lbs. max. The torque between the valve connector and the check valve body shall be 40-50 ft. lbs.)
25	10261	1	Copper Washer (3/4 x 19/32 x 1/32)
26	10425	1	Compression Spring (3/8 O.D. x 3/4 Lg.)
27	20771	1	Poppet
28	201879	1	Check Valve Body
29	10430	1	Tube Sleeve
30	10431	1	Tube Nut

## BASIC PUMP ASSEMBLY - BOTTOM VIEW (For PE464SP-E220 & PE464SP-UK220)



Item No.	Part No.	No. Req'd	Description
1	15642	5	Cap Screw (1/4-20 x 5" Lg.; Torque to 55/65 in. lbs.)
2	214720	1	Spacer
3	21278	1	Relief Valve (Set at 10,100/10,700 PSI)
4	421268BK2	1	Cover Plate
5	29682	1	Strainer
6	214866	1	Pressure Tube
7	12696	1	Connector
8	18969	1	Pipe Tee
9	214868	1	Pressure Regulator Tube
10	14844	1	Connector
11	36922	1	High Pressure Pump Assembly (See back sheet 4 of 13)

### PRESSURE REGULATOR ASSEMBLY (SECTION B-B)



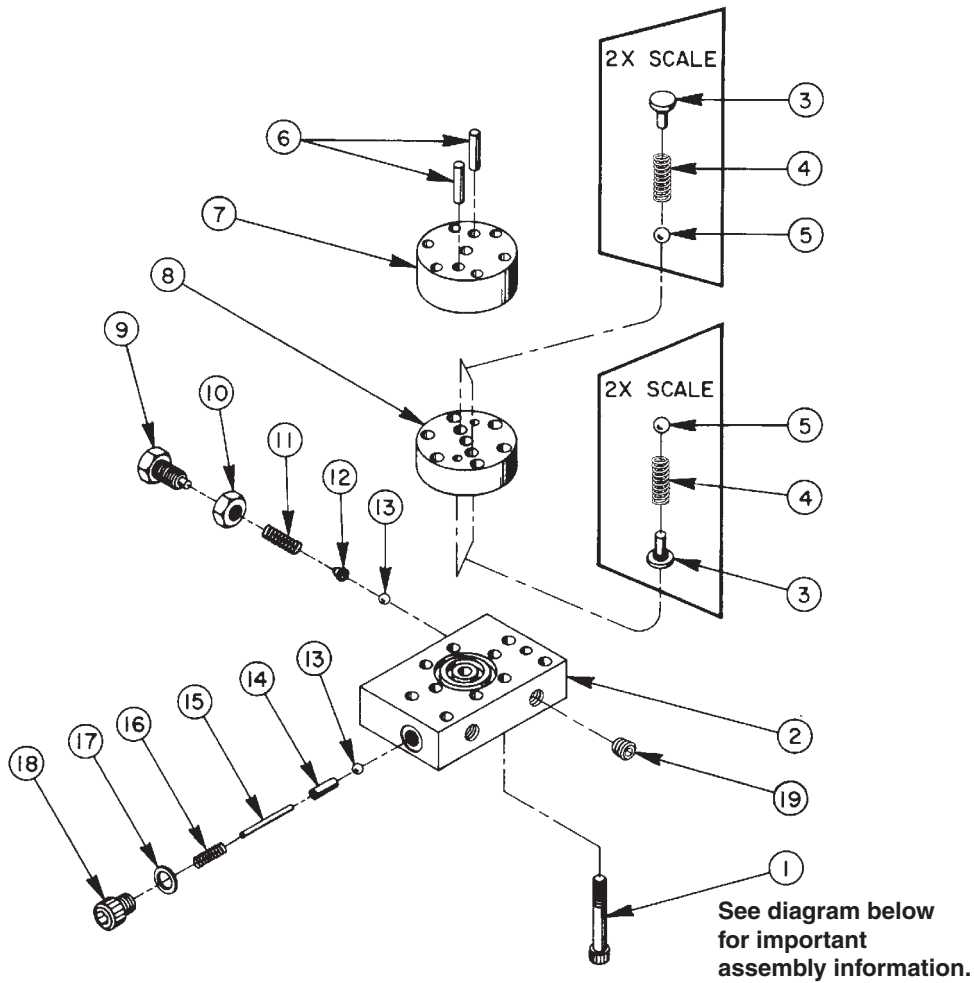
Item No.	Part No.	No. Req'd	Description
1	22362	1	Adjusting Screw
2	10386	1	Nut (3/8-24 UNF)
3	21305	1	Valve Cap
4	21306	1	Spring Guide
5	10268	1	O-ring (1/2 X 3/8 X 1/16)
6	10495	1	Compression Spring (1/2 O.D. X 1-5/8 Lg.)
7	22361	1	Body
8	21046	1	Valve Stem

Refer to any operating instructions included with the product for detailed information about operation, testing, disassembly, reassembly, and preventive maintenance.

Items found in this parts list have been carefully tested and selected. **Therefore: Use only genuine Power Team replacement parts!**

Additional questions can be directed to our Technical Services Departments.

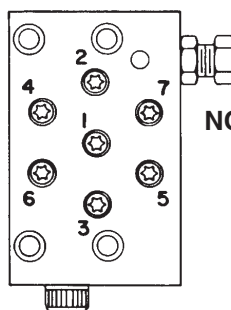
## HIGH PRESSURE PUMP ASSEMBLY



Item No.	Part No.	No. Req'd	Description
1	*16747	7	Torx Drive Cap Screw (1/4-28 x 1-3/4 Lg.; See diagram below)
2	*36912	1	Pump End Plate
3	*24549	4	Valve Guide
4	*10445	4	Compression Spring (5/32 O.D. x 3/4 Lg.)
5	*12223	4	Steel Ball (3/16 dia.)
6	*20775	2	Piston
7	*41006	1	Pump Barrel
8	*41007	1	Valve Head
9	200797	1	Adjusting Screw
10	10386	1	Jam Nut (3/8-24)

Item No.	Part No.	No. Req'd	Description
11	15691	1	Compression Spring (1/4 O.D. x 5/8 Lg.)
12	200796	1	Adapter, Spring & Ball
13	10375	2	Steel Ball (1/4 dia.)
14	201998	1	Sleeve
15	12571	1	Roll Pin (1/8 dia. x 1-3/8 Lg.)
16	14431	1	Compression Spring (.197 O.D. x 3/4 Lg.)
17	12042	1	Copper Washer (9/16 x 3/8 x 1/32 thk.)
18	29690	1	Cap Screw (Torque to 180 in. lbs.)
19	10427	1	Pipe Plug (1/8 NPTF)

## BOLT TIGHTENING SEQUENCE



**NOTE: Assemble in sequence shown. Lubricate under head on threads. Torque to 170 in. lbs.**

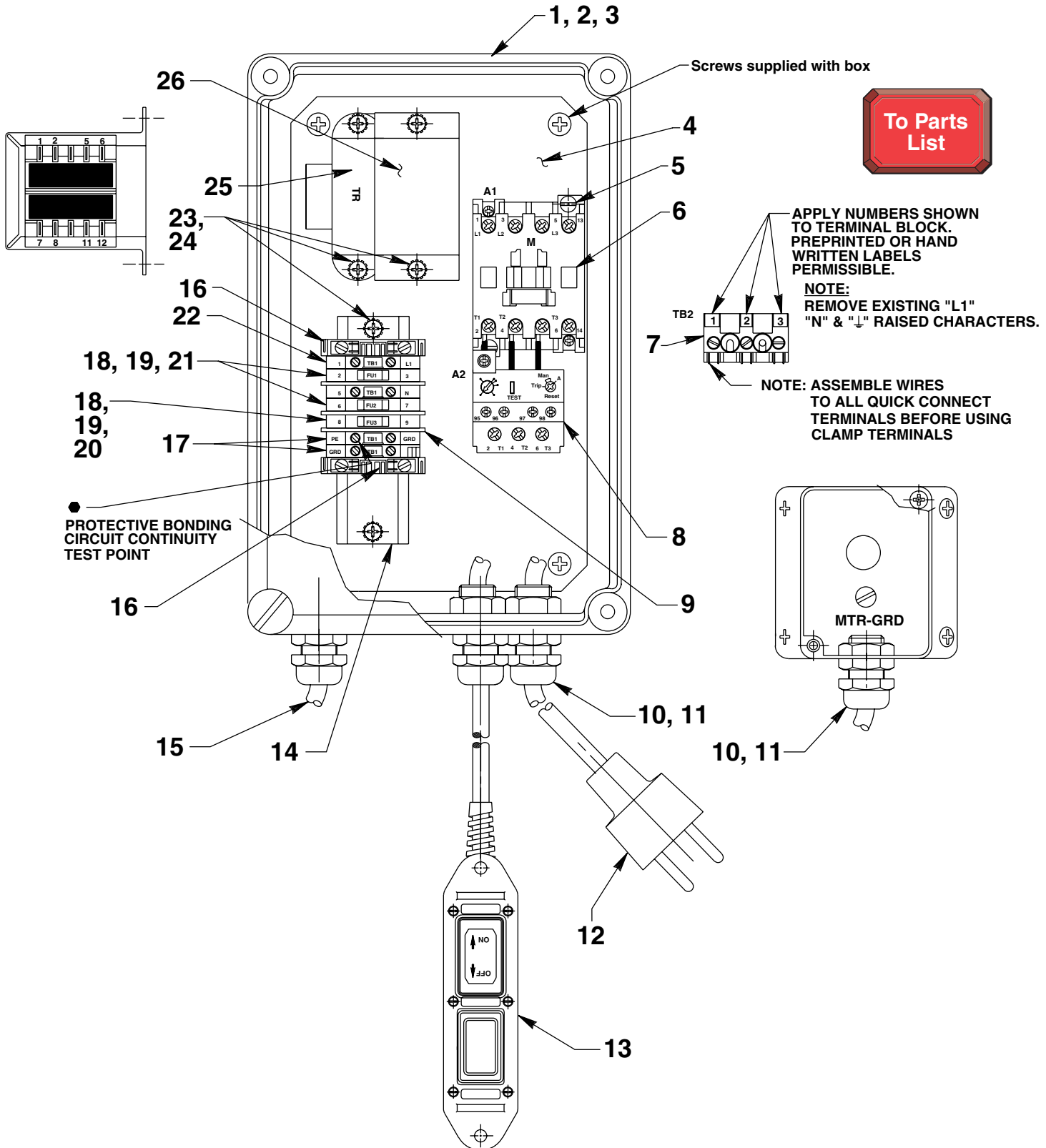


# MOTOR CONTROL ASSEMBLY

220 V., 50 Hz.

(For PE462-E220, PE462-UK220, PE462A-E220, PE462A-UK220, PE464-E220, & PE464-UK220)

To Parts List



Item No.	Part No.	No. Req'd	Description
1	251886	1	Control Box
2	251762	1	Warning Decal
3	251898	1	Decal
4	421153	1	Mounting Plate
5	12409	2	Machine Screw (#8-32 UNC x 5/8 Lg.)
6	421148	1	Contactora
7	251550	1	Terminal Block
8	351125	1	Overload Relay (Set at 13.5 AMPS)
9	251847	3	Partition Plate
10	216666	4	Bushing
11	216680	4	Conduit Locknut
12	251839	1	Power Cord Assembly
13	251881	1	Hand Switch Assembly (See sheet 11 of 13)
14	251967	1	DIN Mounting Rail
15	251879	2.25 ft.	Electrical Cable (14/3)
16	251843	2	End Anchor
17	251841	2	Grounding Terminal Block
18	251849	3	Fuse Block
19	251848	3	Fuse Terminal Block
20	251857	1	Fuse (3.15 AMP)
21	251855	2	Fuse (315 mA)
22	251840	2	Terminal Block
23	13158	6	Machine Screw (#8-32 UNC x 1/4 Lg.)
24	11388	6	Lockwasher (#8 External Tooth)
25	351119	1	Transformer (50 VA)
26	421146	1	Transformer Cover



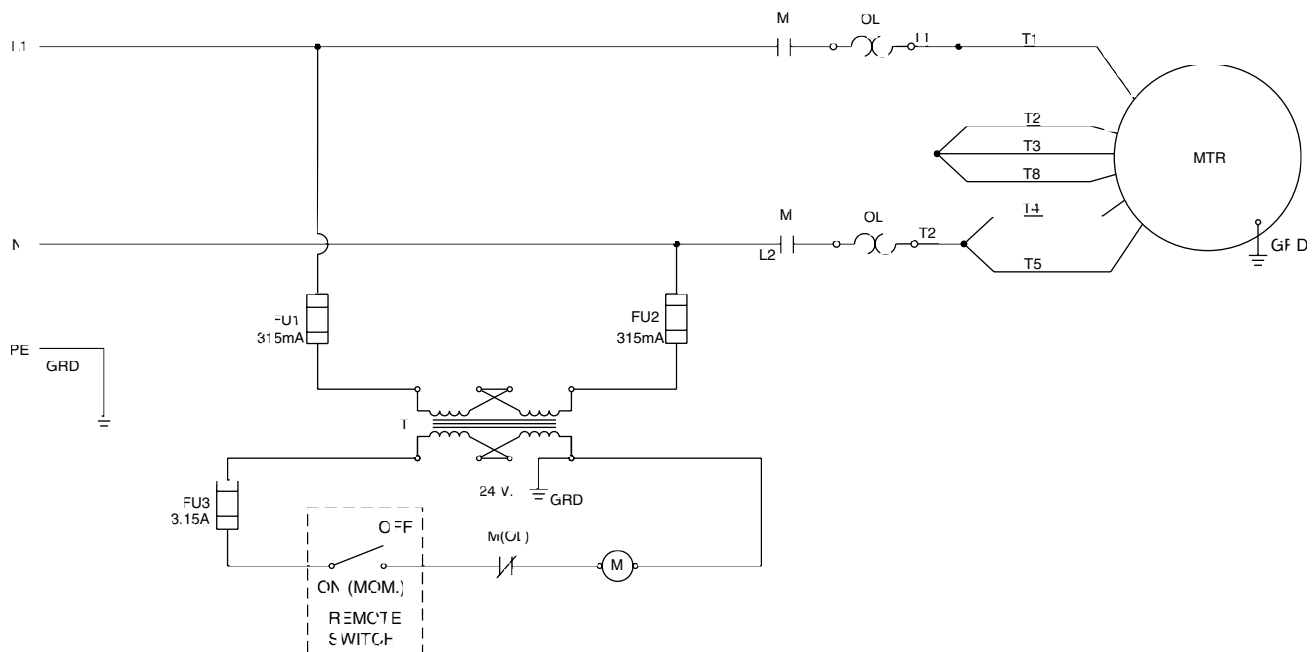
## ELECTRICAL SCHEMATIC

220 V., 50 Hz.

(For PE462-E220, PE462-UK220, PE462A-E220, PE462A-UK220, PE464-E220, & PE464-UK220)

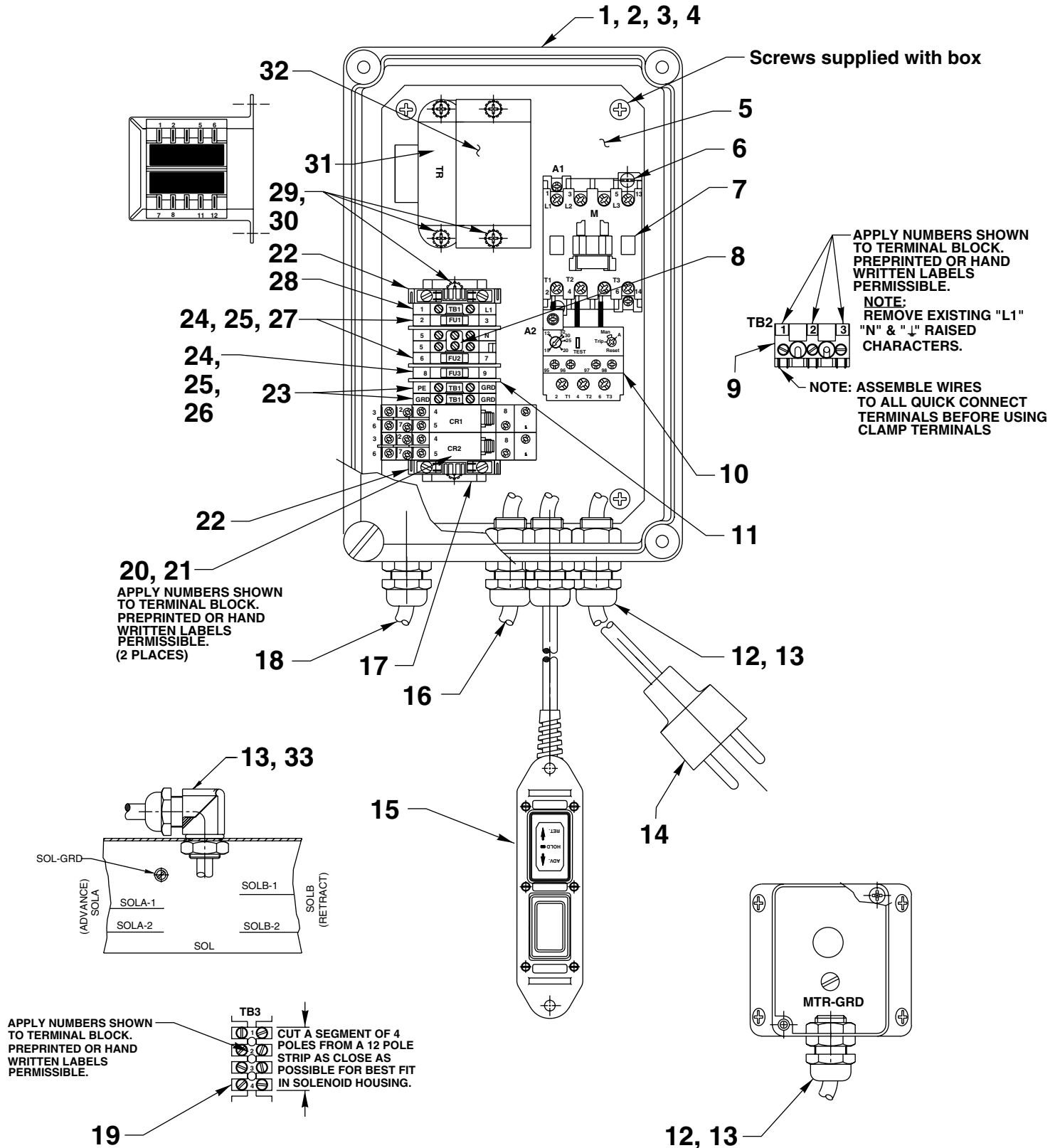


**WARNING:** To help avoid personal injury, all electrical work must be done by a qualified electrician.



# MOTOR CONTROL ASSEMBLY

220V., 50 HZ.  
(FOR PE464S-E220 & PE464S-UK220)



Item No.	Part No.	No. Req'd	Description
1	251886	1	Control Box
2	251762	1	Warning Decal
3	251898	1	Decal
4	350988	1	Decal
5	421153	1	Mounting Plate
6	12409	2	Machine Screw (#8-32 x 5/8 Lg.)
7	421148	1	Contactora
8	251845	1	Center Jumper
9	251550	1	Terminal Block
10	351125	1	Overload Relay (Note: Set at 13.5 AMPS)
11	251847	3	Partition Plate
12	216666	5	Bushing
13	216680	6	Locknut
14	251839	1	Cord Set (For PE464S-E220)
	251879	8 ft.	Electrical Cable } For PE464S-UK220
	351194	1	
15	251872	1	Hand Switch Assembly (See back sheet 11 of 13)

Item No.	Part No.	No. Req'd	Description
16	251864	3 ft.	Electrical Cable (14/5 Europe)
17	251967	1	DIN Mounting Rail
18	251879	2.25 ft.	Electrical Cable (14/3 Europe)
19	351130	1	Terminal Block
20	251859	2	Relay
21	251869	2	Relay Socket
22	251843	2	End Anchor
23	251841	2	Grounding Terminal Block
24	251849	3	Fuse Block
25	251848	3	Terminal Fuse Block
26	251857	1	Fuse (3.15 AMP)
27	251855	2	Fuse (315 MA)
28	251840	3	Terminal Block
29	13158	6	Mach. Screw (#8-32 UNC x 1/4 Lg.)
30	11388	6	Lockwasher (#8 External Tooth)
31	351119	1	Transformer
32	421146	1	Transformer Cover
33	216667	1	Bushing

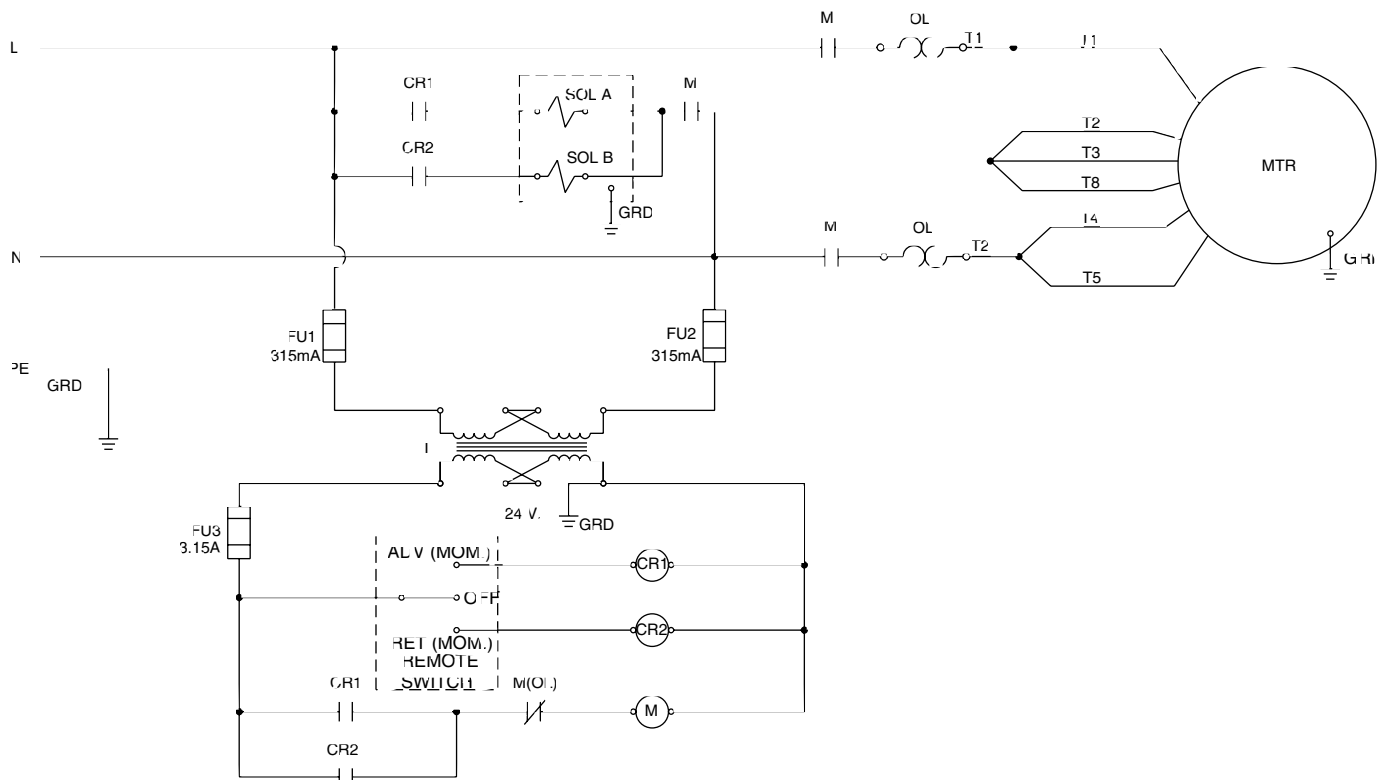


## ELECTRICAL SCHEMATIC

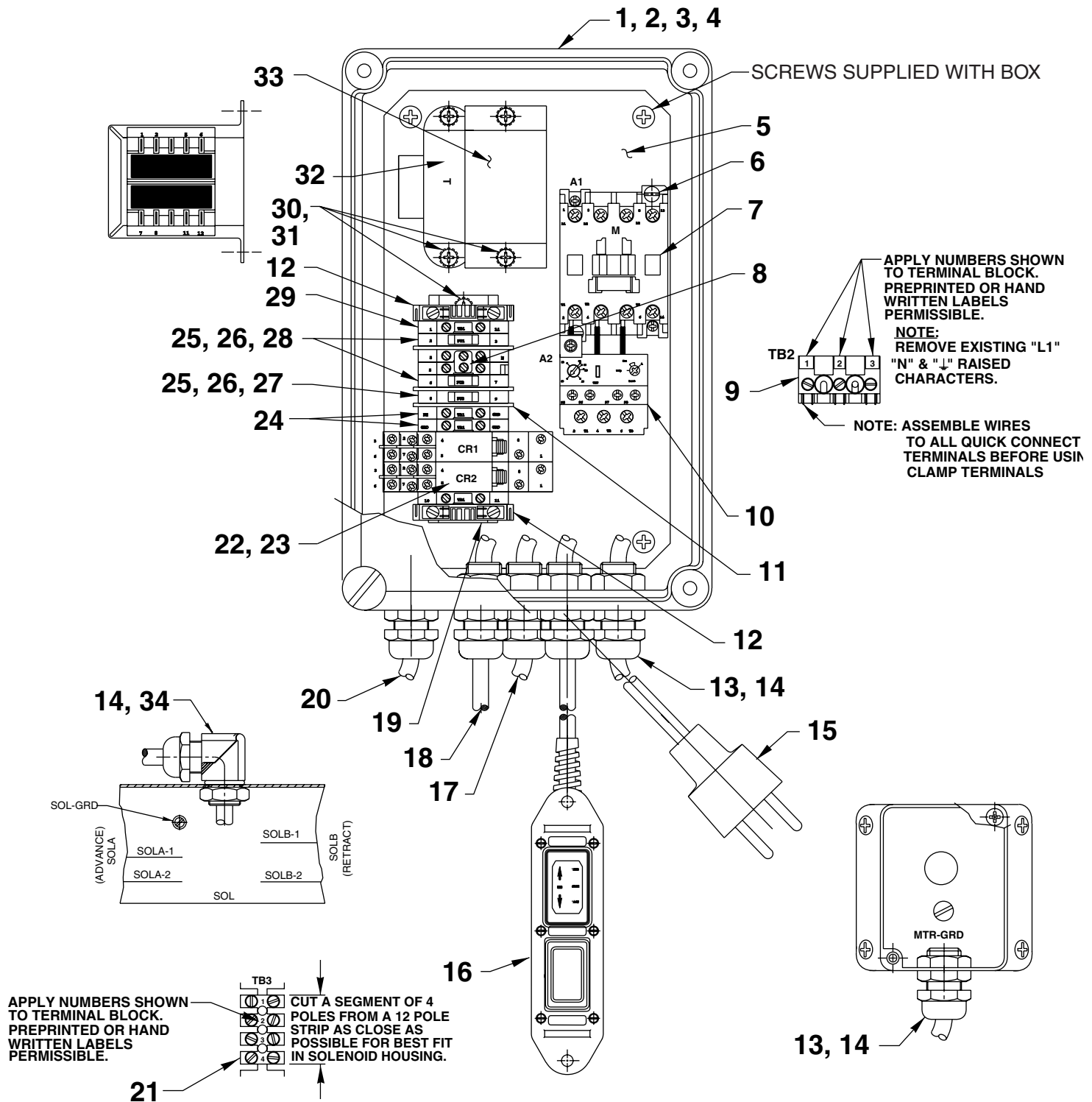
220 V., 50 Hz.  
(For PE464S-E220 & PE464S-UK220)



**WARNING:** To help avoid personal injury, all electrical work must be done by a qualified electrician.



**MOTOR CONTROL ASSEMBLY**  
 220V., 50 HZ.  
 (For PE464SP-E220 & PE464SP-UK220)



Item No.	Part No.	No. Req'd	Description	Item No.	Part No.	No. Req'd	Description
1	251886	1	Control Box	17	251864	3 ft.	Electrical Cable (14/5 Europe)
2	251762	1	Warning Decal	18	58655	1	Pressure Switch Assembly (See sheet 12 of 13)
3	251898	1	Decal	19	251967	1	DIN Mounting Rail
4	350988	1	Decal	20	251879	2.25 ft.	Electrical Cable (14/3 Europe)
5	421153	1	Mounting Plate	21	351130	1	Terminal Block
6	12409	2	Machine Screw (#8-32 x 5/8 Lg.)	22	251859	2	Relay
7	421148	1	Contactora	23	251869	2	Relay Socket
8	251845	1	Center Jumper	24	251841	2	Grounding Terminal Block
9	251550	1	Terminal Block	25	251849	3	Fuse Block
10	351125	1	Overload Relay (Note: Set at 13.5 AMPS)	26	251848	3	Terminal Fuse Block
11	251847	3	Partition Plate	27	251857	1	Fuse (3.15 AMP)
12	251843	2	End Anchor	28	251855	2	Fuse (315 MA)
13	216666	5	Bushing	29	251840	3	Terminal Block
14	216680	6	Locknut	30	13158	6	Mach. Screw (#8-32 UNC x 1/4 Lg.)
15	251839	1	Cord Set (For PE464SP-E220)	31	11388	6	Lockwasher (#8 External Tooth)
	251879	8 ft.	Electrical Cable	32	351119	1	Transformer
	351194	1	Connector Plug	33	421146	1	Transformer Cover
16	251872	1	Hand Switch Assembly (See back sheet 11 of 13)	34	216667	1	Bushing



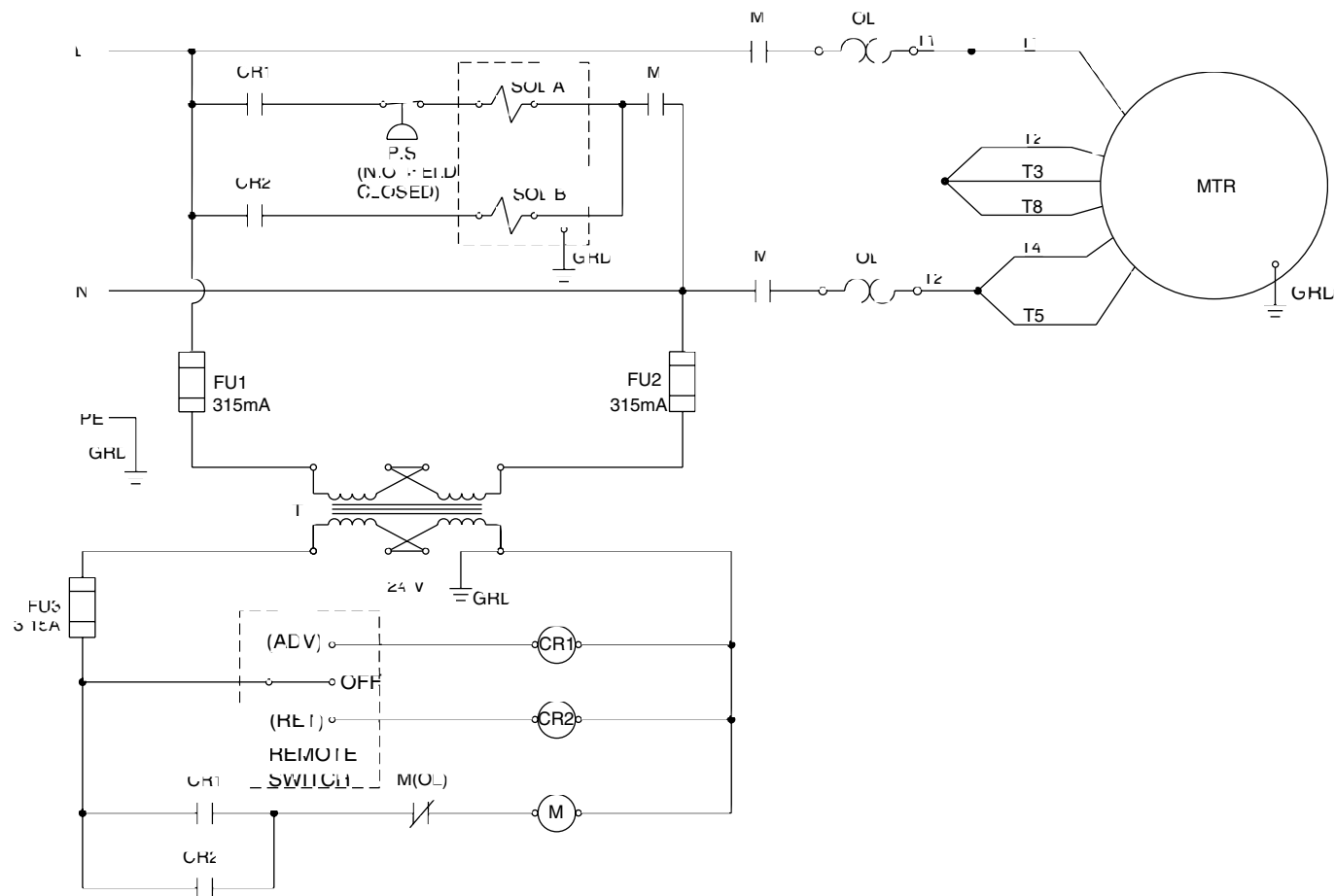
## ELECTRICAL SCHEMATIC

220 V., 50 Hz.

(For PE464SP-E220 & PE464SP-UK220)



**WARNING:** To help avoid personal injury, all electrical work must be done by a qualified electrician.





# Parts List, Form No. 101636, Back sheet 8 of 13

Item No.	Part No.	No. Req'd	Description
1	251875	1	Control Box
2	251762	1	Warning Decal
3	251898	1	Decal
4	350988	1	Decal
5	421153	1	Mounting Plate
6	12409	2	Screw (#8-32 UNC x 5/8 Lg.)
7	421323	1	Contactora
8	351294	1	Overload Relay (Note: Set at 25.0 AMPS)
9	251847	3	Partition Plate
10	216666	4	Strain Relief Bushing
11	216680	4	Conduit Locknut
12	251550	2	Terminal Block
13	251879	10.25 ft.	Electrical Cable (1.5 mm/3)
14	351300	1	Connector Plug

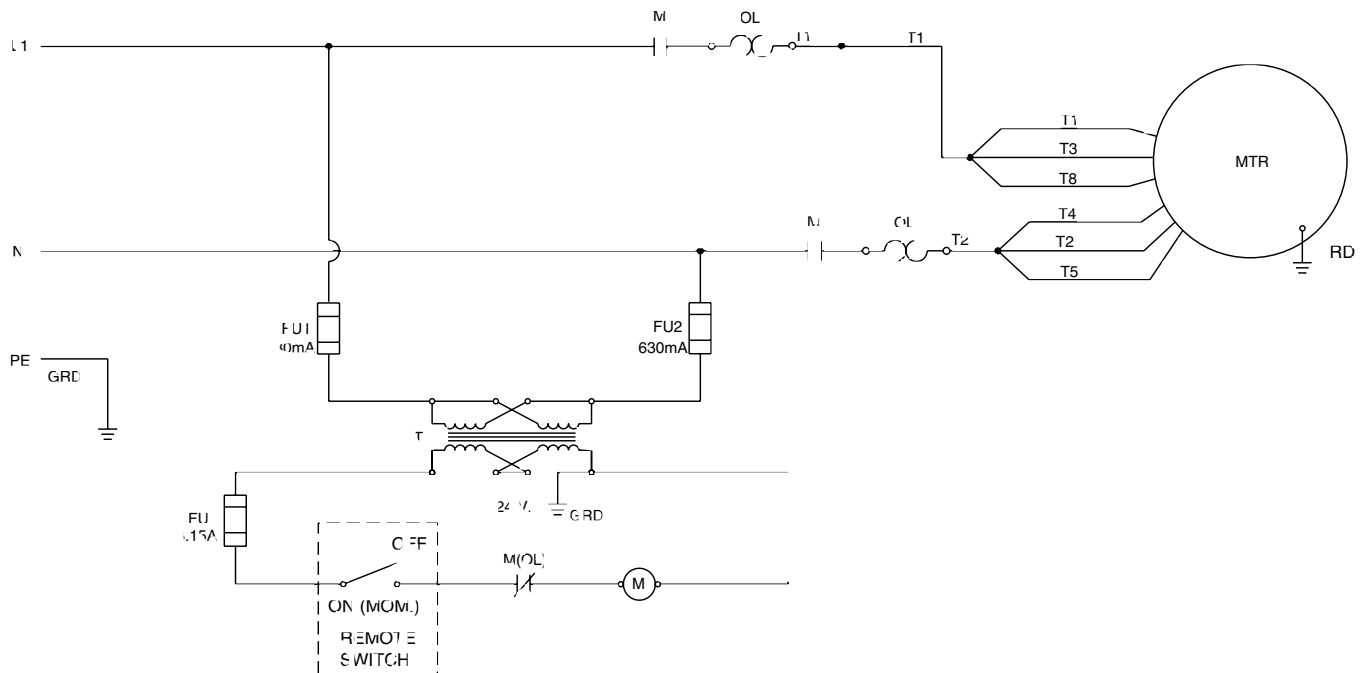
Item No.	Part No.	No. Req'd	Description
15	251881	1	Remote Hand Switch Assembly (See sheet 11 of 13)
16	251967	1	DIN Mounting Rail
17	251843	2	End Anchor
18	251841	2	Grounding Terminal Block
19	251849	3	Fuse Block
20	251848	3	Terminal Fuse Block
21	251857	1	Fuse
22	251845	2	Center 2 Pole Jumper
23	252040	2	Fuse (630 MAMP, 250 v.)
24	251840	6	Terminal Block
25	13158	6	Screw (#8-32 UNC x 1/4 Lg.)
26	11388	6	Washer (#8 External Tooth)
27	351119	1	Transformer
28	421146	1	Transformer Cover



## ELECTRICAL SCHEMATIC 110 V., 50 Hz., Single Phase (For PE464-UK110)



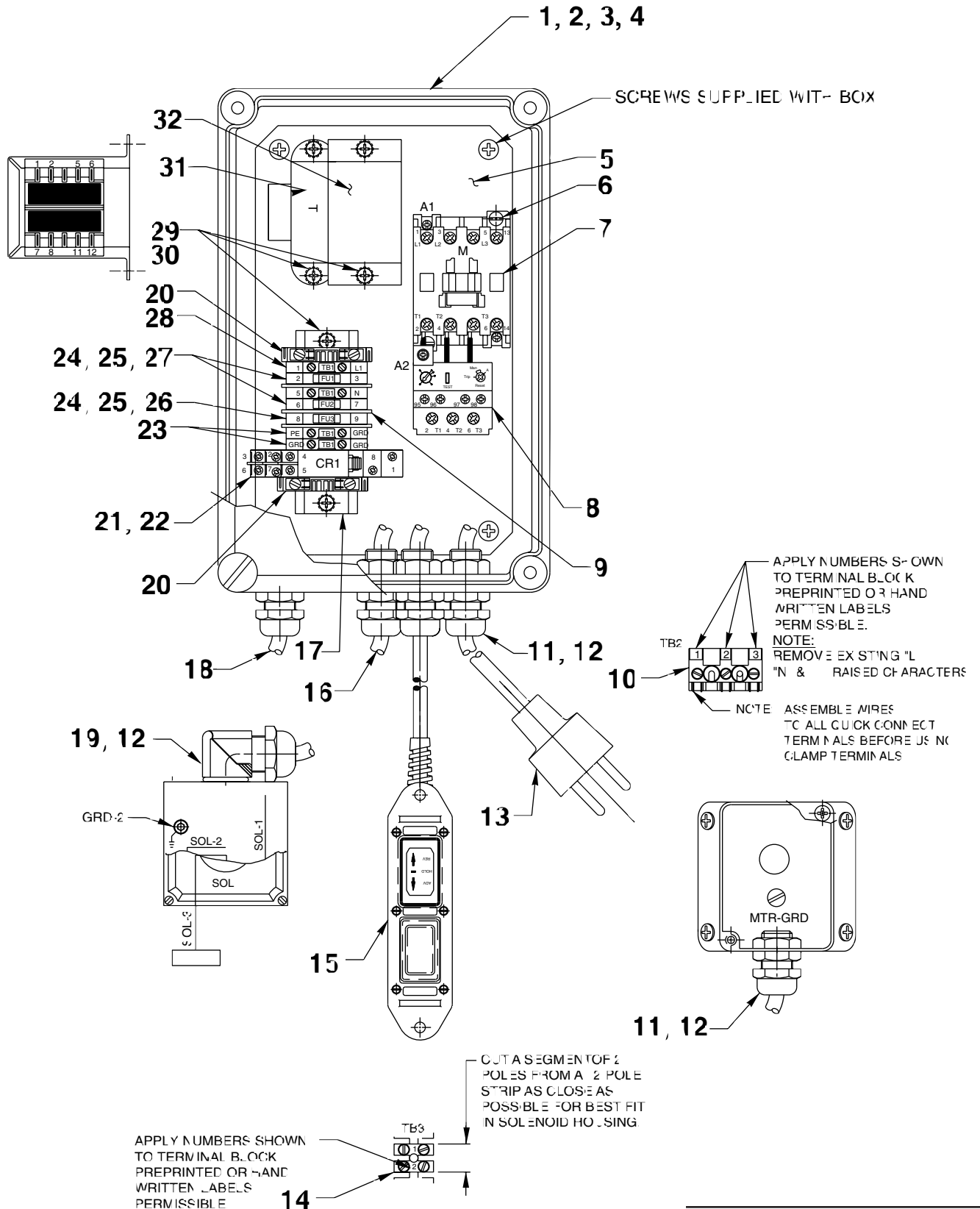
**WARNING:** To help avoid personal injury, all electrical work must be done by a qualified electrician.





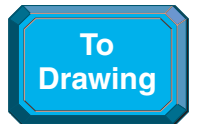
# MOTOR CONTROL ASSEMBLY

220 V., 50 Hz.  
(For PE462S-E220 & PE462S-UK220)



Item No.	Part No.	No. Req'd	Description
1	251875	1	Control Box
2	251762	1	Warning Decal
3	251898	1	Warning Decal (CE Electrical)
4	350988	1	Decal (CE)
5	421153	1	Mounting Plate
6	12409	2	Screw (8-32 x 5/8 Lg.)
7	421148	1	Contactor
8	351125	1	Overload Relay (Set at 12:0 Amps)
9	251847	4	Partition Plate
10	251550	1	Terminal Block
11	216666	5	Strain Relief Bushing
12	216680	5	Conduit Locknut
13	251839	1	Cord Set (14/3; For PE462S-E220)
	251879	8 ft.	Electrical Cable (14/3; For PE462S-UK220)
	351194	1	Electrical Plug (For PE462S-UK220)
14	351130	.17	Terminal Block
15	252508	1	Remote Switch Assembly (See sheet 13 of 13)

Item No.	Part No.	No. Req'd	Description
16	251879	36"	Electrical Cable (14/3)
17	251967	1	DIN Mounting Rail
18	251879	27"	Electrical Cable (14/3)
19	216667	1	Strain Relief Bushing
20	251843	2	End Anchor
21	251859	2	Relay
22	251869	2	Relay Socket
23	251841	2	Grounding Terminal Block
24	251849	3	Fuse Block
25	251848	3	Terminal Fuse Block
26	251857	1	Fuse (3.15 AMP 250 V.)
27	251855	2	Fuse (315 MAMP 250 V.)
28	251840	2	Terminal Block
29	13158	6	Screw (8-32 x 5/8 Lg.)
30	11388	6	Washer
31	351119	1	Transformer
32	421146	1	Transformer Cover

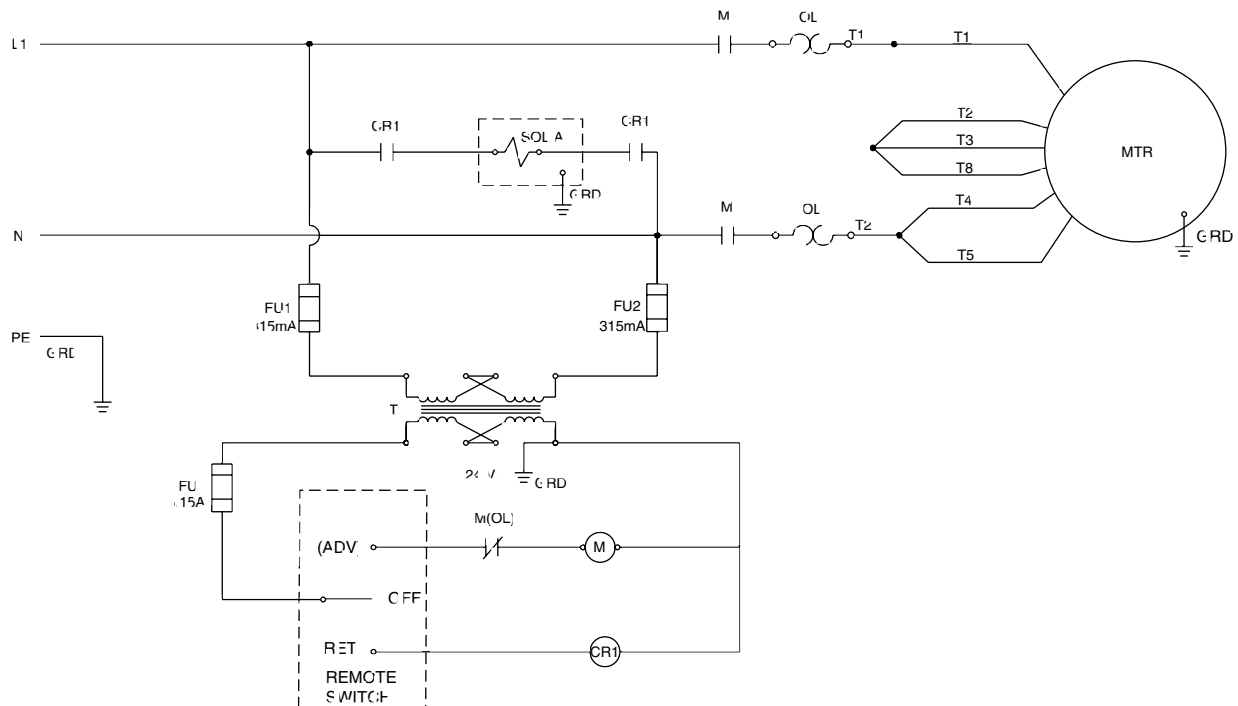


## ELECTRICAL SCHEMATIC

**220 V., 50 Hz., Single Phase**  
(For PE462S-E220 & PE462S-UK220)

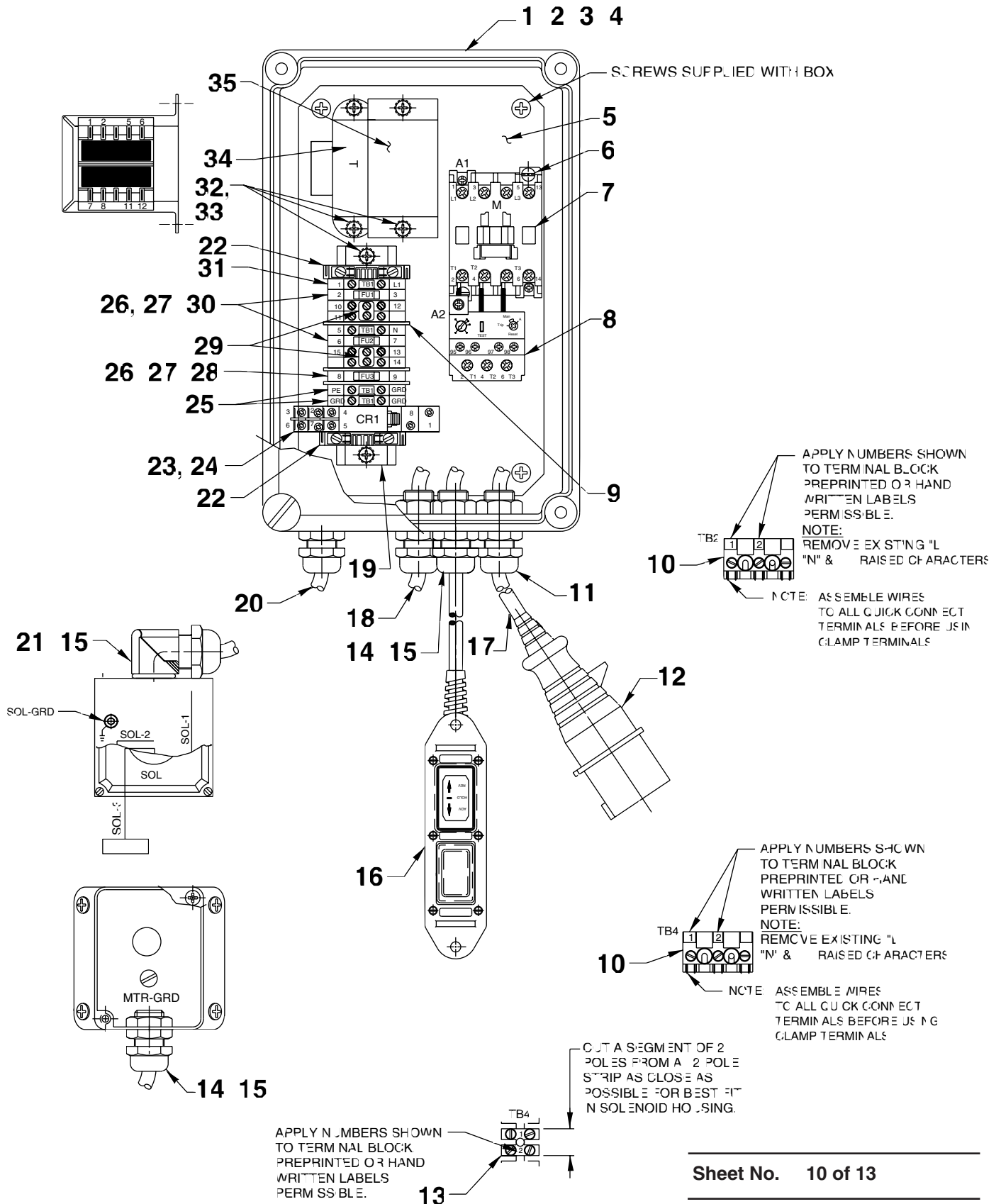


**WARNING:** To help avoid personal injury, all electrical work must be done by a qualified electrician.



# MOTOR CONTROL ASSEMBLY

110 V., 50 Hz.  
(For PE462S-UK110)



Item No.	Part No.	No. Req'd	Description
1	251875	1	Control Box
2	251762	1	Warning Decal
3	251898	1	Warning Decal (CE Electrical)
4	350988	1	Decal (CE)
5	421153	1	Mounting Plate
6	12409	2	Screw (8-32 X 5/8 Lg.)
7	421323	1	Contactor
8	351294	1	Overload Relay (Note: Set at 25 Amps)
9	251847	3	Partition Plate
10	251550	2	Terminal Block
11	252387	1	Strain Relief Bushing
12	351300	1	Connector Plug
13	351130	.166	Terminal Block
14	216666	4	Strain Relief Bushing
15	216680	5	Conduit Locknut
16	252508	1	Remote Hand Switch Assembly (See sheet 13 of 13)
17	252241	8 ft.	Electrical Cable (12/3)

Item No.	Part No.	No. Req'd	Description
18	251879	36"	Electrical Cable (14/3)
19	251967	1	DIN Mounting Rail
20	251879	27"	Electrical Cable (14/3)
21	216667	1	Strain Relief Bushing
22	251843	2	End Anchor
23	251859	1	Relay
24	251869	1	Relay Socket
25	251841	2	Grounding Terminal Block
26	251849	3	Fuse Block
27	251848	3	Terminal Fuse Block
28	251857	1	Fuse (3.15 AMP 250 V.)
29	251845	2	Center 2 Pole Jumper
30	252040	2	Fuse (630 MAMP 250 V.)
31	251840	6	Terminal Block
32	13158	6	Screw (8-32 X 1/4 Lg.)
33	11388	6	Washer
34	351119	1	Transformer
35	421146	1	Transformer Cover



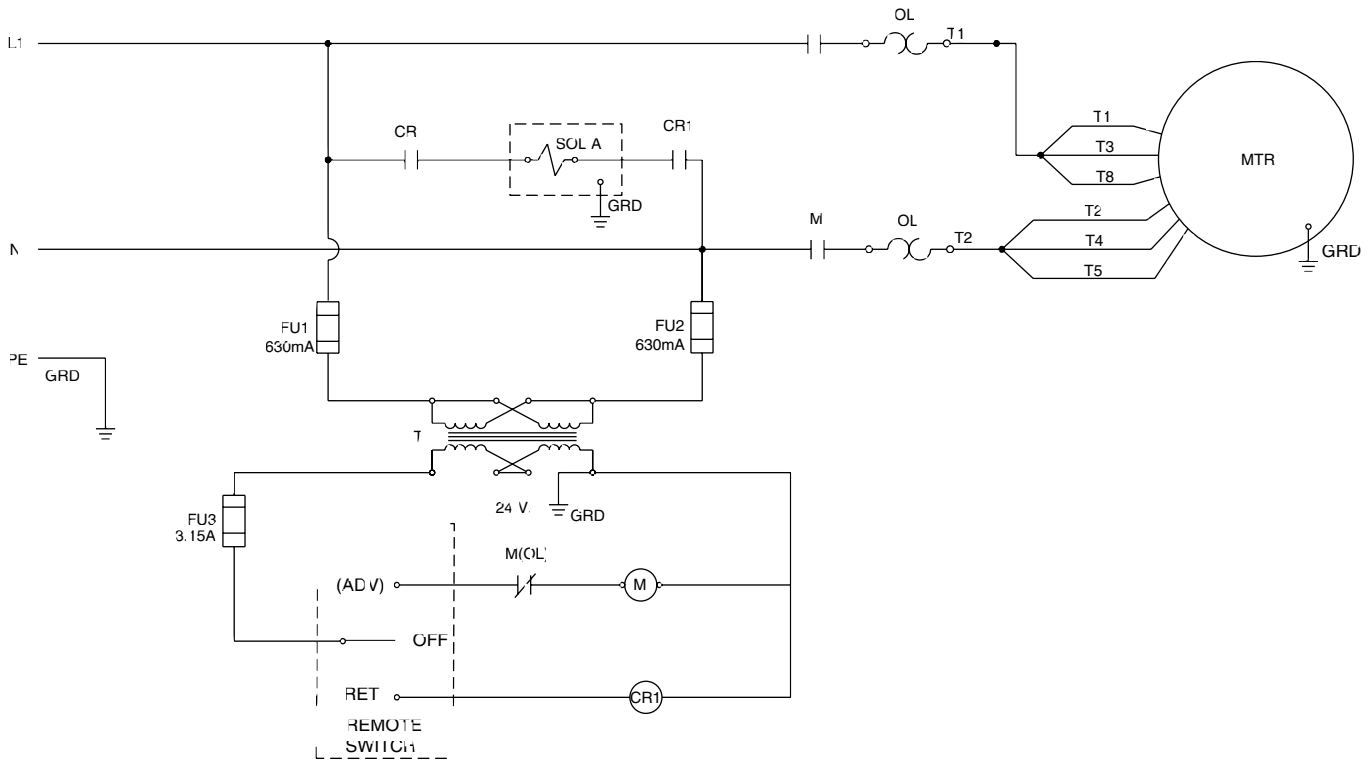
## ELECTRICAL SCHEMATIC

### 110 V., 50 Hz., Single Phase

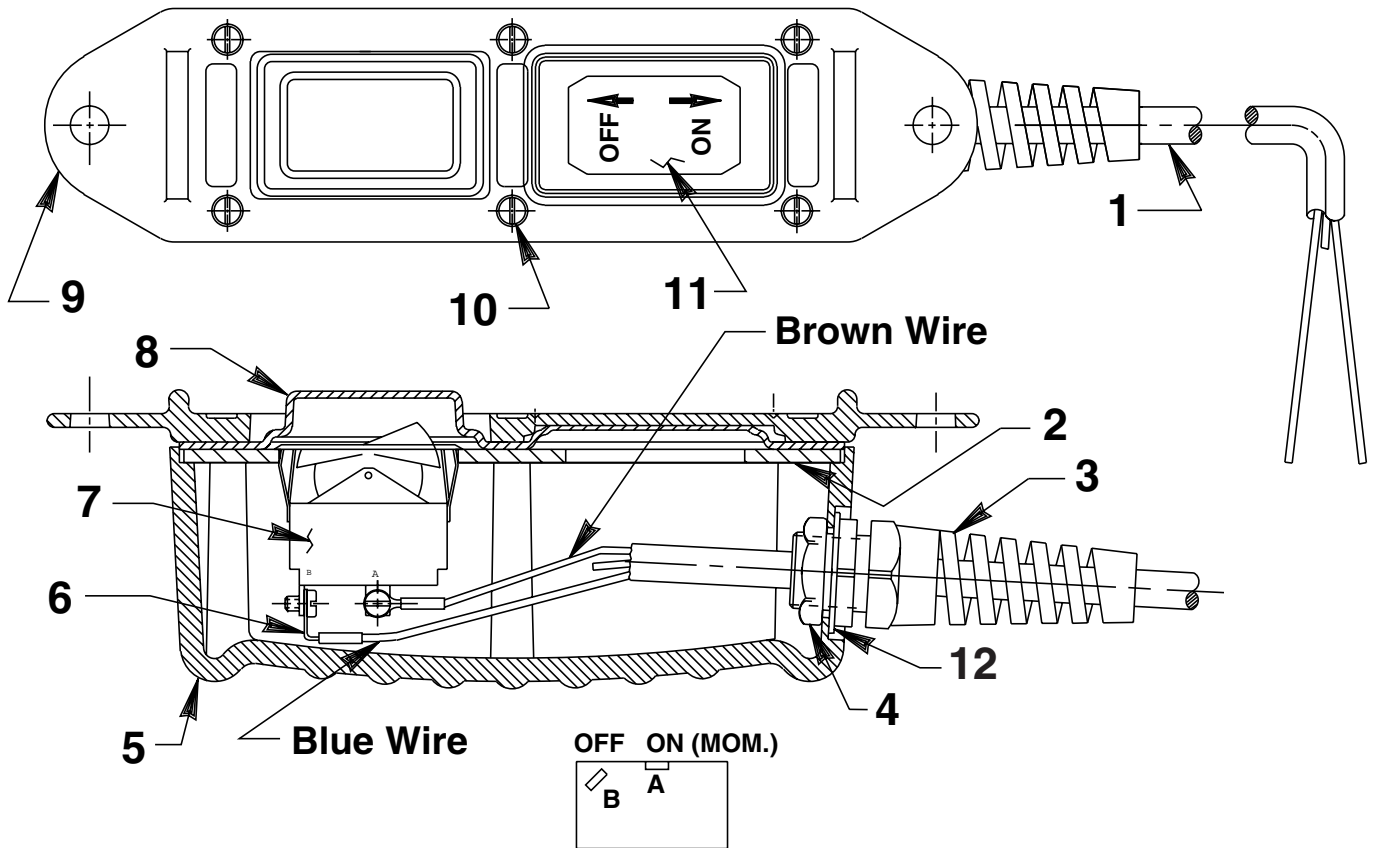
#### (For PE462S-UK110)



**WARNING:** To help avoid personal injury, all electrical work must be done by a qualified electrician.



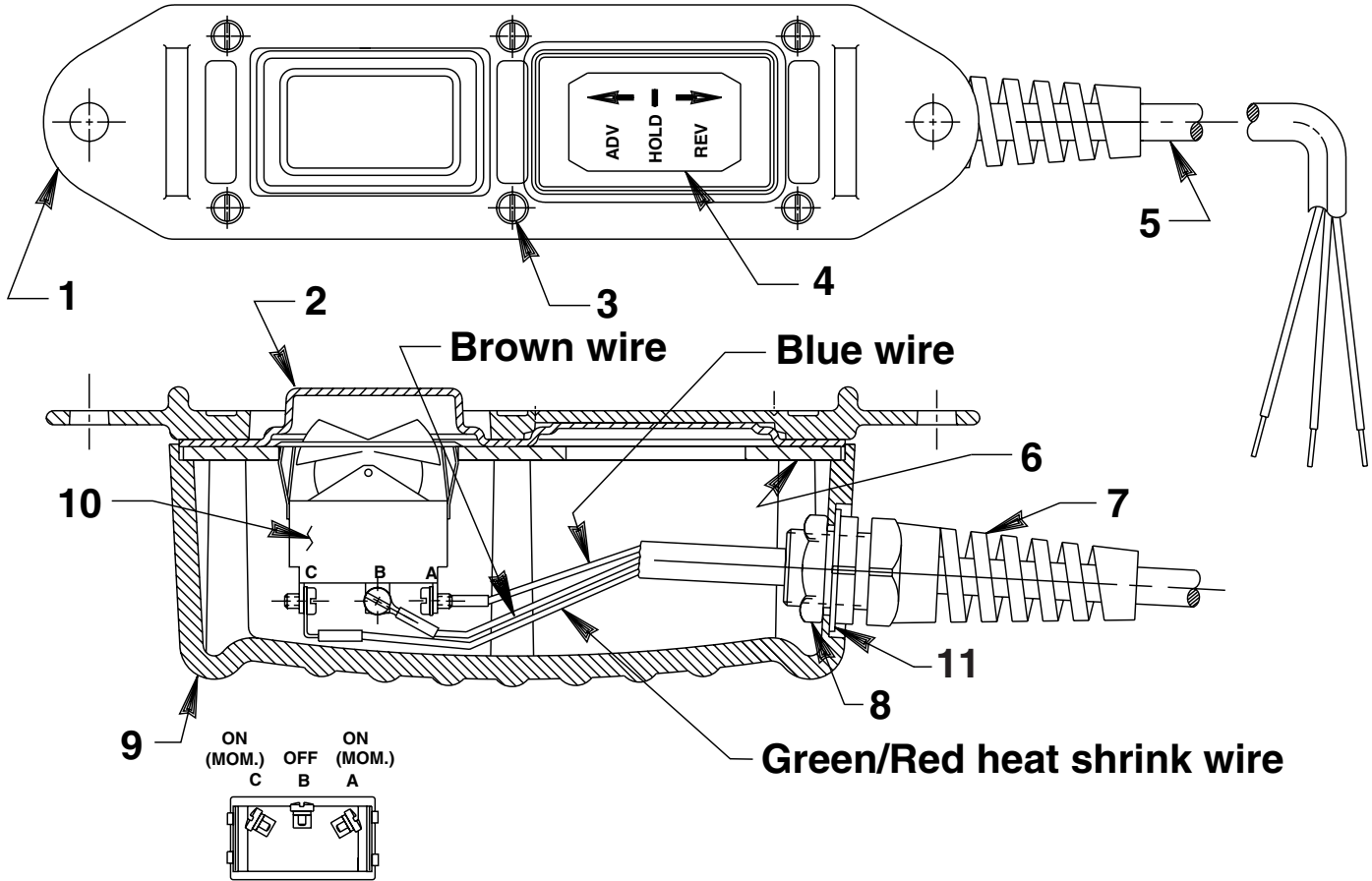
## #251881 REMOTE HAND SWITCH ASSEMBLY



Item No.	Part No.	No. Req'd	Description
1	251879	10 ft.	Electrical Cable (14/3)
2	420050-3	1	Switch Mounting Plate
3	251818	1	Strain Relief Connector
4	251802	1	Locknut (3/4-16 UNF)
5	420050-4	1	Switch Housing
6	10525	2	Ring Terminal
7	16772	1	Rocker Switch
8	420050-2	1	Gasket
9	420050-1	1	Cover
10	250248	6	Screw (4-24 x 3/4 Lg.)
11	202763	1	Decal
12	253607	1	Rubber Gasket

Note: Shaded areas reflect last revision(s) made to this form.

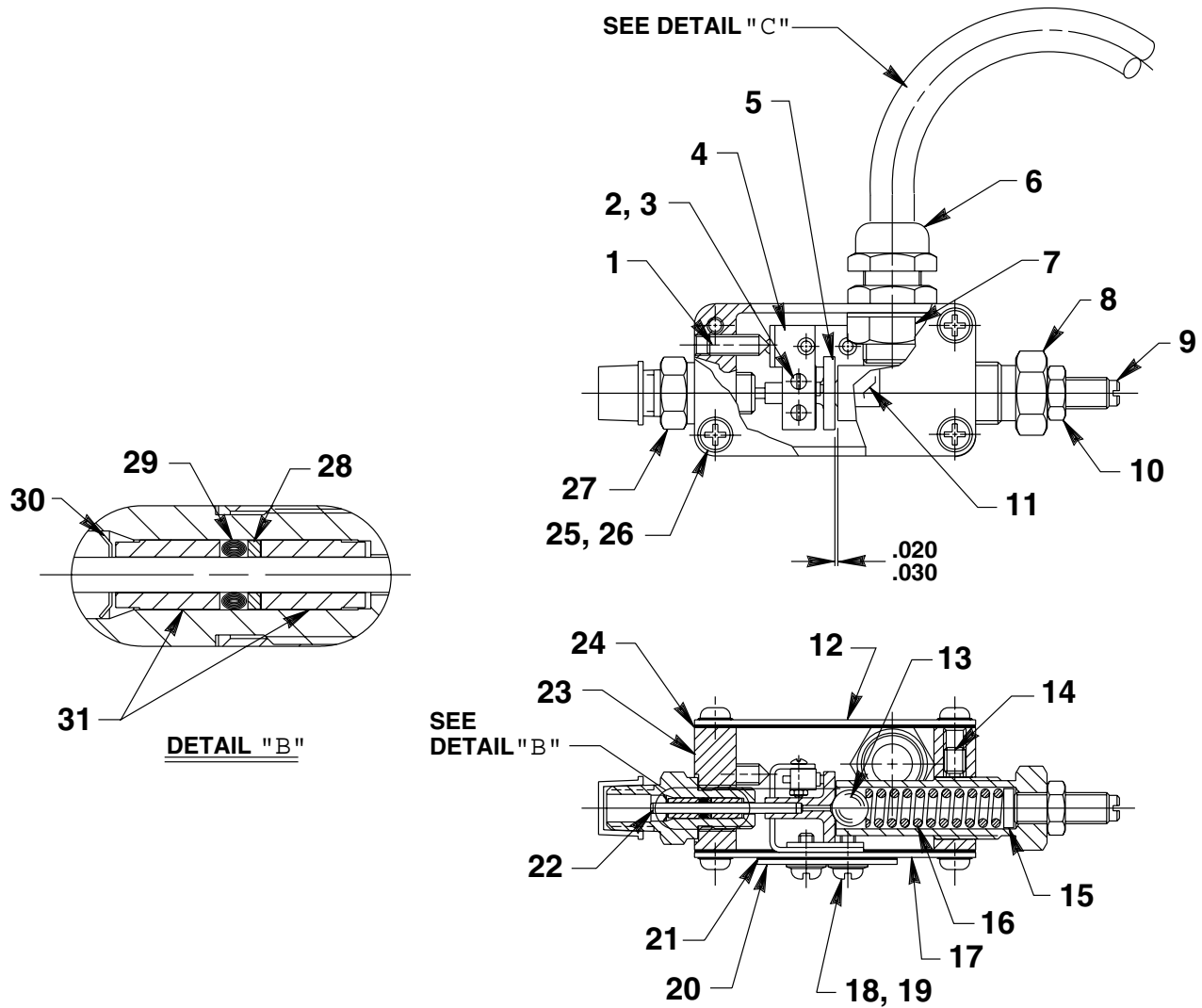
#251872  
REMOTE HAND SWITCH ASSEMBLY



Item No.	Part No.	No. Req'd	Description
1	420050-1	1	Cover
2	420050-2	1	Gasket
3	250248	6	Screw (4-24 x 3/4 Lg.)
4	202776	1	Decal
5	251879	10 ft.	Electrical Cable (14/3 Europe)
6	420050-3	1	Switch Mounting Plate
7	251818	1	Strain Relief Connector
8	251802	1	Locknut (3/4-16 UNF; Torque to 30/35 in. lbs.)
9	420050-4	1	Switch Housing
10	16773	1	Rocker Switch
11	253607	1	Rubber Gasket

Note: Shaded areas reflect last revision(s) made to this form.

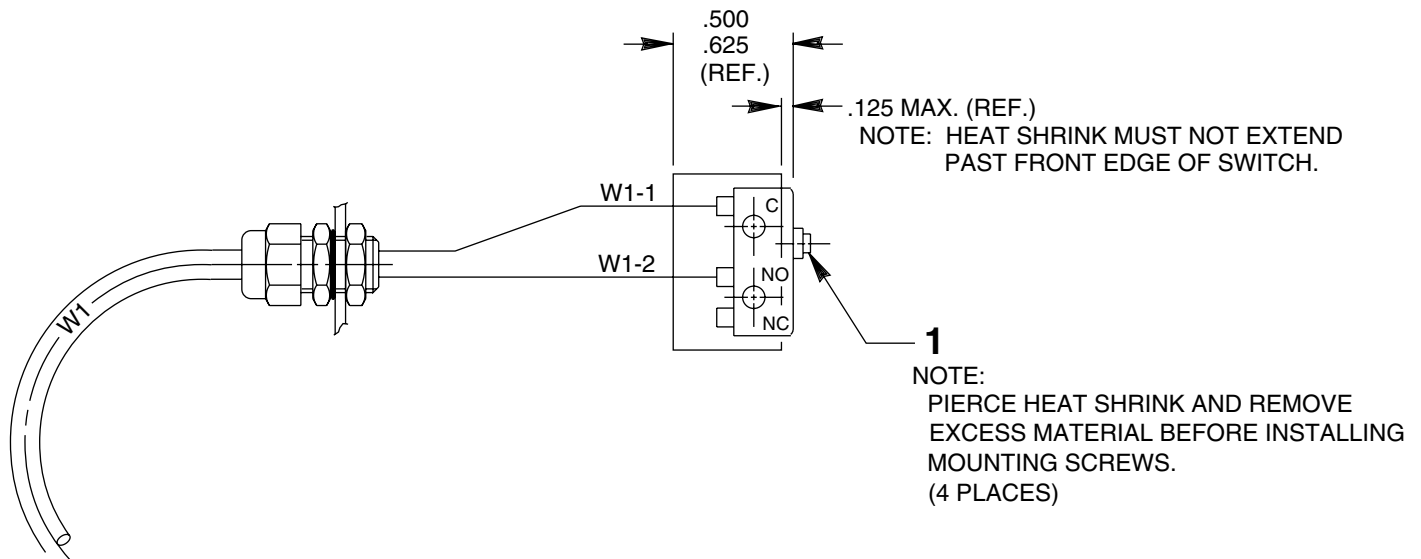
### PRESSURE SWITCH ASSEMBLY



Item No.	Part No.	No. Req'd	Description
1	210270	1	Set Screw (Fill with silicon sealant flush with surface.)
2	10157	2	Machine Screw
3	10193	2	Nut
4	45637	1	Switch Bracket
5	210198	1	Platen
6	216666	1	Strain Relief Bushing
7	216680	1	Locknut
8	304951	1	Spring Retainer
9	22362	1	Adjusting Screw
10	10386	1	Nut (3/8-24 UNF)
11	252047	1	Decal

Item No.	Part No.	No. Req'd	Description
12	351074	1	Cover
13	16920	1	Chrome Steel Ball (7/16 dia.)
14	16028	1	Set Screw (Torque to 70/80 in. lbs.)
15	210201	1	Spring Disc
16	10495	1	Compression Spring (1/2 O.D. X 1-5/8 Lg.)
17	351073	1	Cover
18	10429	2	Machine Screw
19	251819	2	Washer
20	251791	1	Cover
21	251794	1	Gasket
22	23062	1	Dowel Pin (Note: Pin must bottom out in platen bore.)
23	58653	1	Pressure Switch Body
24	251790	2	Gasket
25	16613	8	Screw (10-24 UNC x 5/16 Lg.)
26	11108	8	Lockwasher (#10 External Tooth)
27	304949	1	Cartridge
28	214992	1	Backup Ring
29	10264	1	O-ring (1/4 X 1/8 X 1/16)
30	12041	1	Retaining Ring
31	210197	2	Bushing

### DETAIL "C"



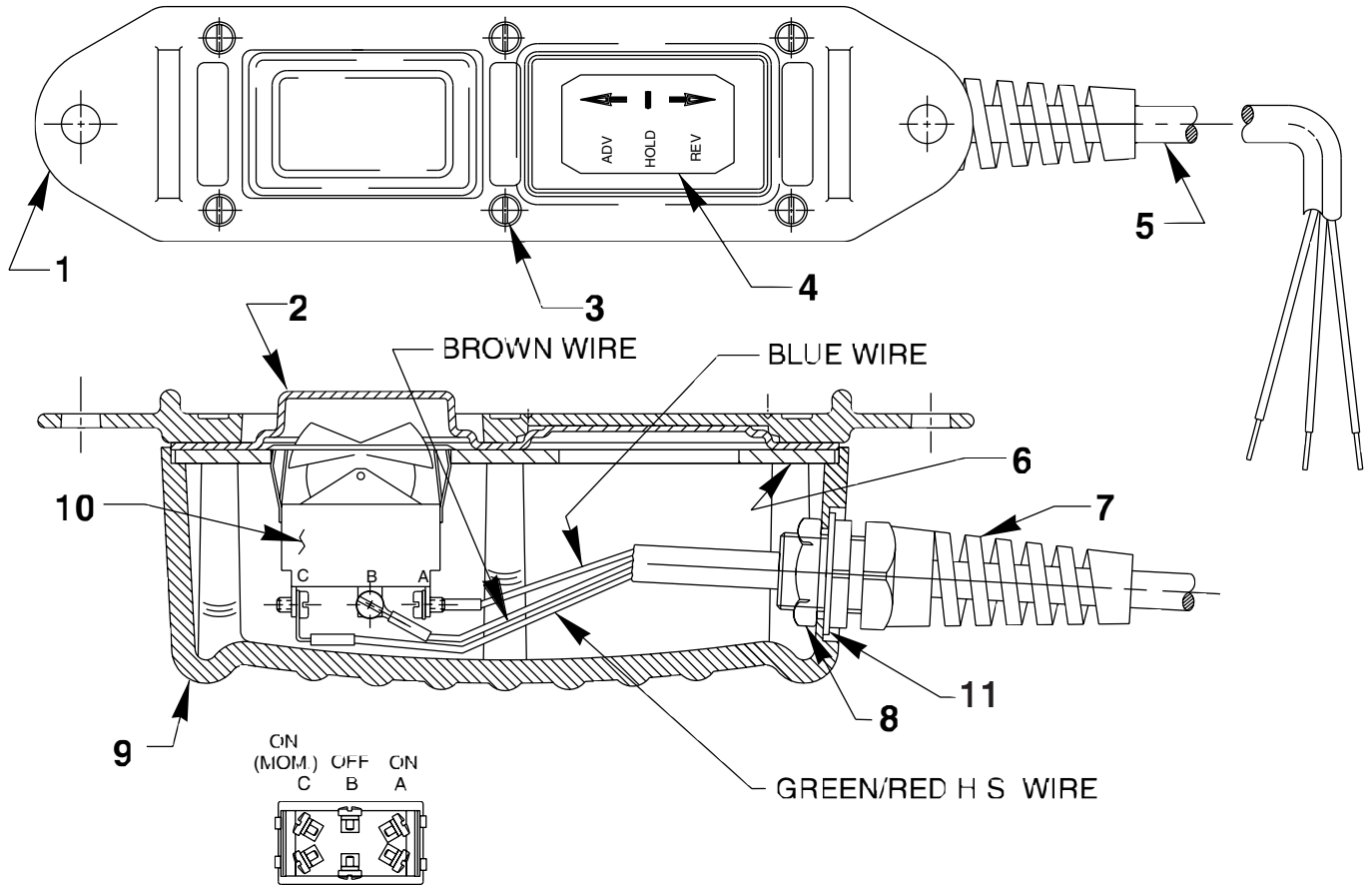
Item No.	Part No.	No. Req'd	Description
1	10489	1	Limit Switch

### ADJUSTMENT PROCEDURE

1. Place a .025 thick shim between spring retainer #304951 and platen #210198. Tighten spring retainer until it contacts shim, then lock in place with set screw #16028.
2. Slide switch mounting bracket #45637 towards platen until switch button is close to platen surface and secure in place by tightening screws #10429.
3. Connect volt/ohm meter to electric cord. Tighten set screw #210270 against switch mounting bracket until switch button contacts platen and actuates. Continue tightening set screw approximately 1/8 turn after switch button actuates.  
Note: Verify that .020/.030 is maintained between spring retainer and platen.
4. Verify operation (on/off) by depressing pin with spring tension applied to platen.



## #252508 REMOTE HAND SWITCH ASSEMBLY



Item No.	Part No.	No. Req'd	Description
1	420050-1	1	Plastic Cover
2	420050-2	1	Remote Hand Switch Gasket
3	250248	6	Tapping Screw (4-24 X 3/4 Lg.)
4	202776	1	Label Controls Decal
5	251879	10 ft.	Cable (1.5 mm/3 HAR)
6	420050-3	1	Switch Mounting Plate

Item No.	Part No.	No. Req'd	Description
7	251818	1	Strain Relief Bushing
8	251802	1	Hex Lock Nut (Torque to 30/35 in. lbs.)
9	420050-4	1	Switch Housing
10	16774	1	Rocker Switch
11	253607	1	Rubber Gasket

Note: Shaded areas reflect last revision(s) made to this form.