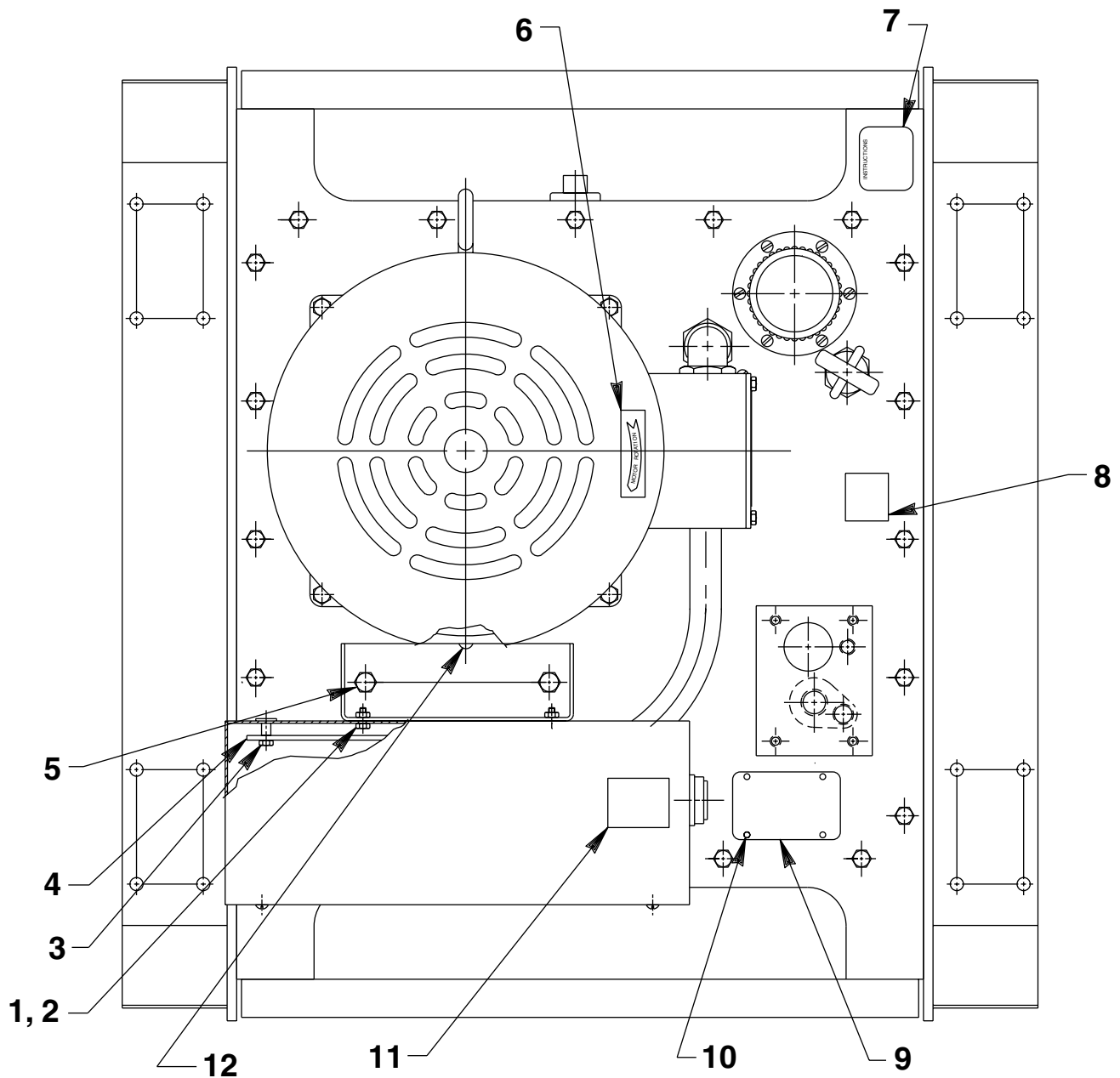


## 50/60 CYCLE HIGH PRESSURE POWER UNIT



### TOP VIEW



# Parts List, Form No. 19460, Back sheet 1 of 7

Item No.	Part No.	No. Req'd	Description
1	12809	5	Locknut (1/4-20 UNC)
2	10005	3	Cap Screw (1/4-20 UNC X 1/2 Lg.)
3	10004	4	Cap Screw (1/4-20 UNC X 3/8 Lg.)
4	60557	1	Basic Electrical Assembly
5	15273	6	Cap Screw (5/16-18 UNC X 1/2 Lg.)
6	27556	1	Rotation Decal
7	203755	1	Instruction Decal
8	205112	1	Patent Decal
9	202120	1	Nameplate
10	10575	4	Drive Screw (#2 X 3/16 Lg.)
11	203756	1	Warning Decal
12	10820	1	Drive Screw

### PARTS INCLUDED BUT NOT SHOWN

214486	4	Swivel Caster (4" dia.)
10027	16	Cap Screw (5/16-18 UNC X 5/8 Lg.)
13116	16	Hex Nut (5/16-18 UNC)
37800	1	Electrical Schematic Decal (60 Cycle)
38591	1	Electrical Schematic Decal (50 Cycle)



Refer to any operating instructions included with this product for detailed information about operation, testing, disassembly, reassembly, and preventive maintenance.

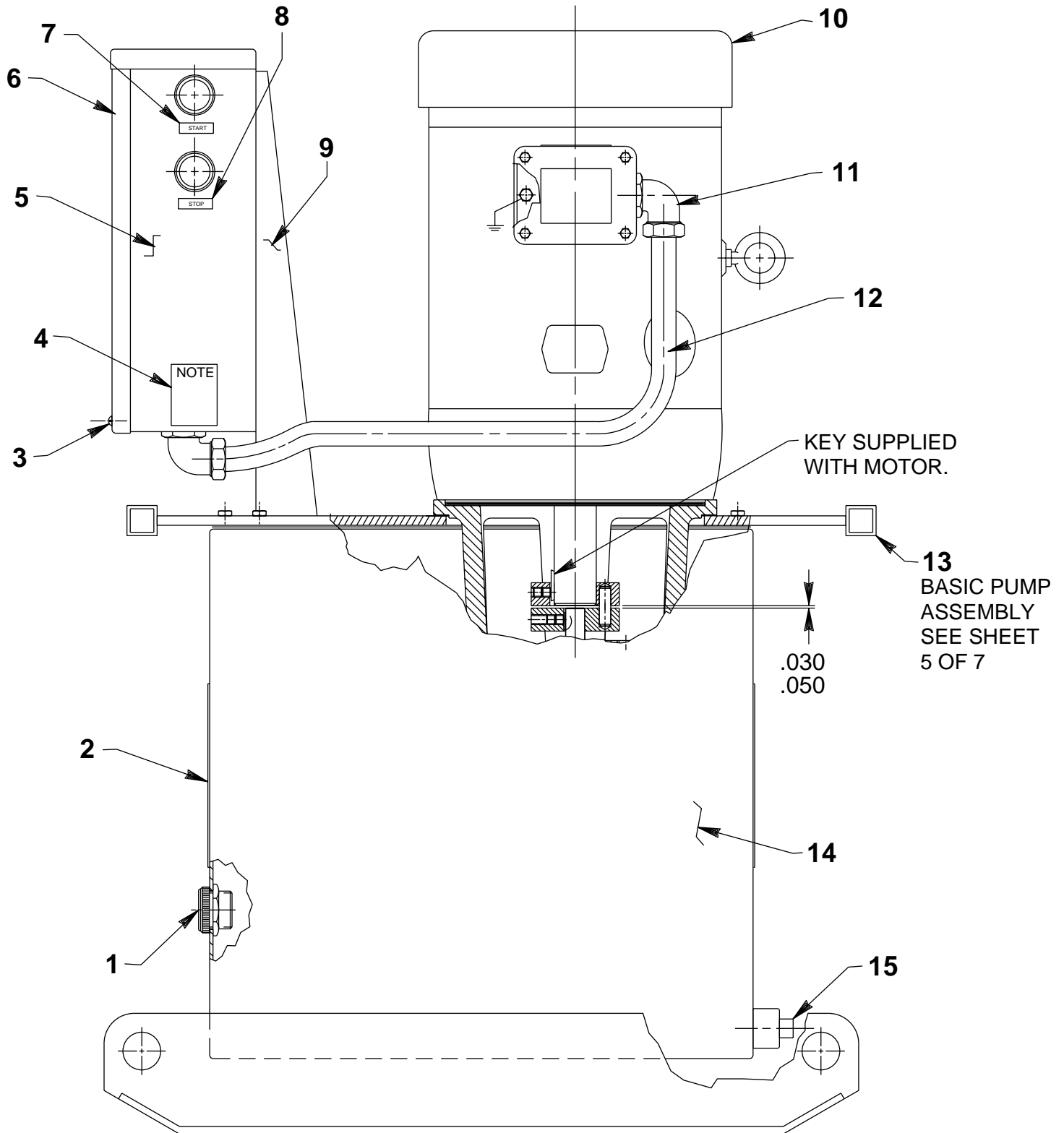
Items found in this parts list have been carefully tested and selected. **Therefore: Use only genuine Power Team replacement parts!**

Additional questions can be directed to our Technical Services Department.

Note: Shaded areas reflect last revision(s) made to this form.



SIDE VIEW



# Parts List, Form No. 19460, Back sheet 2 of 7

---

Item No.	Part No.	No. Req'd	Description
1	17586	1	Liquid Level Sight Gauge
2	309221	2	Trade Name Decal
3	13534	2	Self-tapping Screw (10-16 X 3/8" Lg.)
4	204015	1	Electrical Decal
5	60439WH2	1	Electrical Box Body
6	51107WH2	1	Electrical Box Cover
7	203808	1	Decal (Start)
8	203769	1	Decal (Stop)
9	51099WH2	1	Mounting Bracket (For electrical box)
10	19326WH2	1	Electric Motor (10 HP with Key; 230/460 VAC, 60 Hz.)
	39537WH2	1	Electric Motor (10 HP with Key; 220/380 VAC, 50 Hz.)
11	13343	2	90° Elbow for 3/4" Sealtite Conduit
12	13340	1.3 ft.	Sealtite Conduit (3/4")
13	60556	1	Basic Pump Assembly (5 GPM; See sheets 5 of 7 and 6 of 7)
	65252	1	Basic Pump Assembly (For PE4004S-LM)
14	60430OR9	1	Reservoir Assembly
15	11049	1	Drain Plug

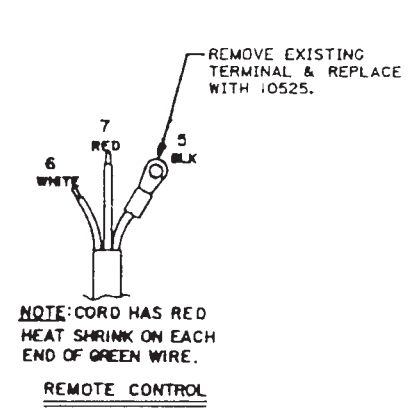
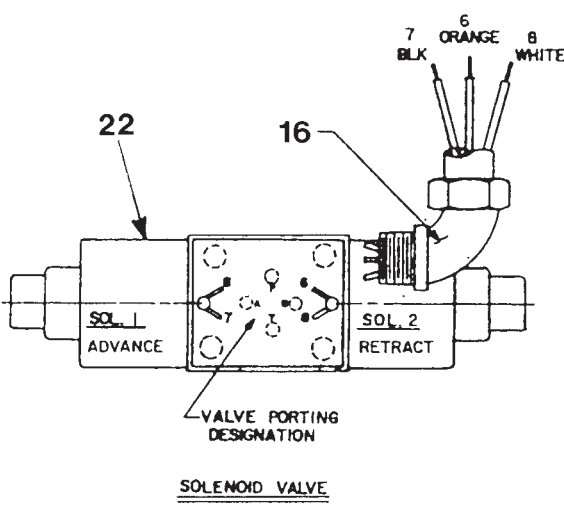
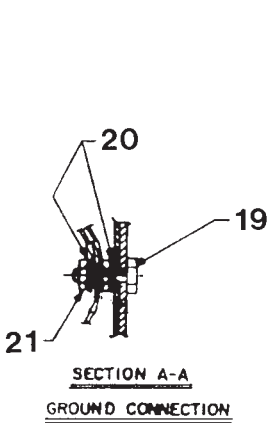
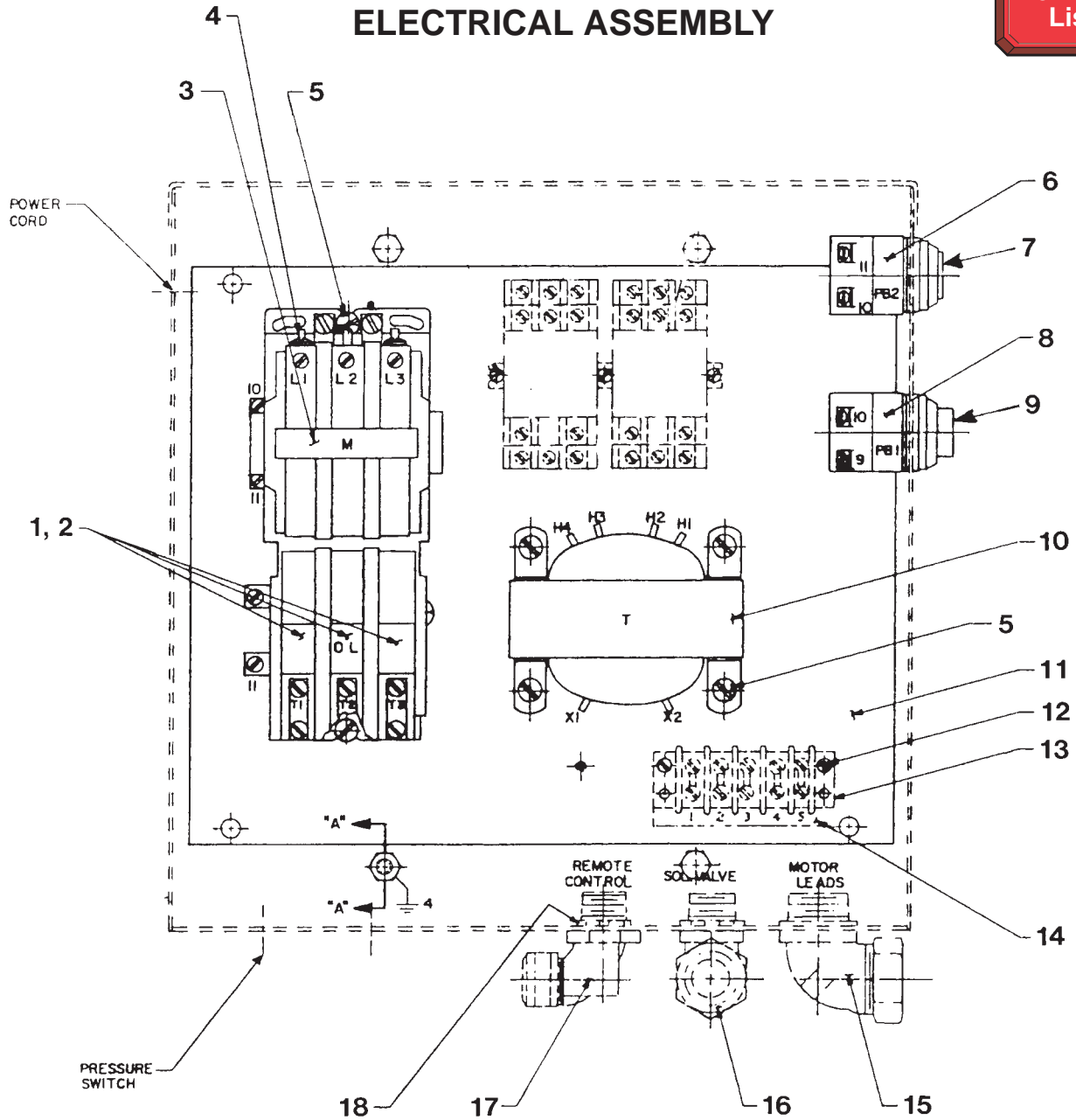
## PARTS INCLUDED BUT NOT SHOWN

200188 1 Warning Decal





**ELECTRICAL ASSEMBLY**



<b>Item No.</b>	<b>Part No.</b>	<b>No. Req'd</b>	<b>Description</b>
1	<b>16641-69</b>	3	Starter Heater (For 230 VAC, 60 Hz.)
	<b>16641-68</b>	3	Starter Heater (For 220 VAC, 50 Hz.)
2	<b>16641-57</b>	3	Starter Heater (For 460 VAC, 60 Hz.)
	<b>16641-61</b>	3	Starter Heater (For 380 VAC, 50 Hz.)
3	<b>19323-4</b>	1	Magnetic Starter
4	<b>11141</b>	2	Screw ((#6-20 X 3/8 Lg.)
5	<b>13063</b>	6	Machine Screw (10-24 UNC X 1/4 Lg.)
6	<b>39282</b>	1	Push Button Switch
7	<b>15549-4</b>	1	Button (Green)
8	<b>39283</b>	1	Push Button Switch
9	<b>15549-2</b>	1	Button (Red)
10	<b>39693</b>	1	Transformer (230/460 VAC, 60 Hz.)
	<b>39750</b>	1	Transformer (220/380 VAC, 50 Hz.)
11	<b>51106OR9</b>	1	Stand-off Plate
12	<b>11426</b>	2	Machine Screw (6-32 UNC x 1/2 Lg.)
13	<b>17841</b>	1	Terminal Block
14	<b>17842</b>	1	Imprinted Marker Strip
15	<b>13343</b>	2	90° Elbow for 3/4" Sealtite Conduit
16	<b>17840</b>	2	90° for 3/8" Conduit
17	<b>13529</b>	1	Cord Grip (Remote control)
18	<b>11362</b>	1	Conduit Locknut
19	<b>10009</b>	1	Cap Screw
20	<b>11351</b>	2	Lockwasher (1/4 External Tooth)
21	<b>12809</b>	5	Locking Nut (1/4-20 UNC)
22	<b>16664-4</b>	1	4-way Solenoid Valve (24 Volt, 50/60 Hz)

**VALVE AND SWITCH OPTIONS**

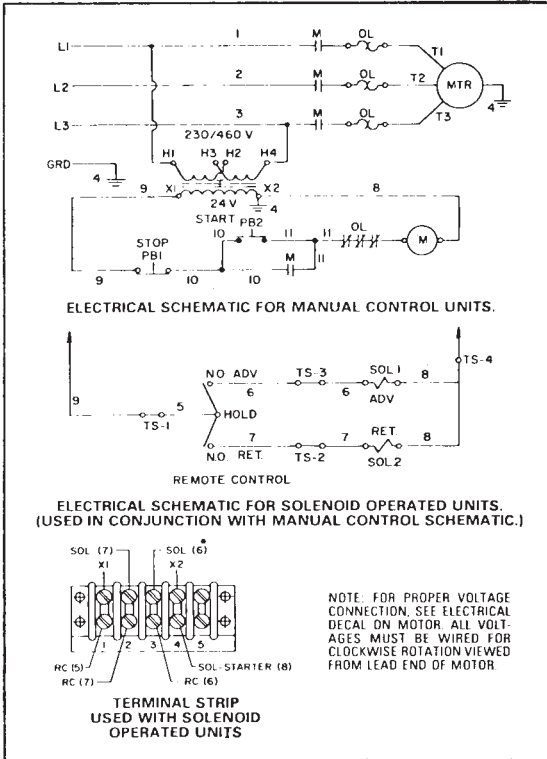
<b>V34</b>	1	4-way Manual Valve (See Form No. 100421)
<b>V34S</b>	1	4-way Solenoid Valve (See Form No. 100411)
<b>9512</b>	1	4-way Solenoid Valve (See Form No. 101653)
<b>202778</b>	1	Remote Control Hand Switch (For 4-way solenoid valves; See Parts List no. 101644)



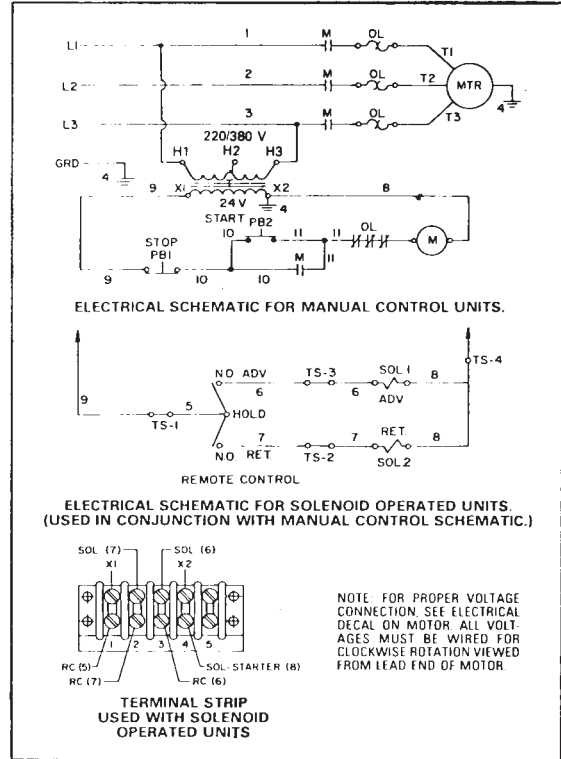
Note: Shaded areas reflect last revision(s) made to this form.

# ELECTRICAL SCHEMATIC

**230/460 V.A.C., 60 CYCLE**



**220/380 V.A.C., 50 CYCLE**



## TRANSFORMER CONNECTIONS

**230 V.A.C., 60 HZ**

H1 and H3 to L1  
H2 and H4 to L3

**460 V.A.C., 60 HZ**

H2 and H3  
H1 to L1  
H4 to L3

## TRANSFORMER CONNECTIONS

**220 V.A.C., 50 HZ**

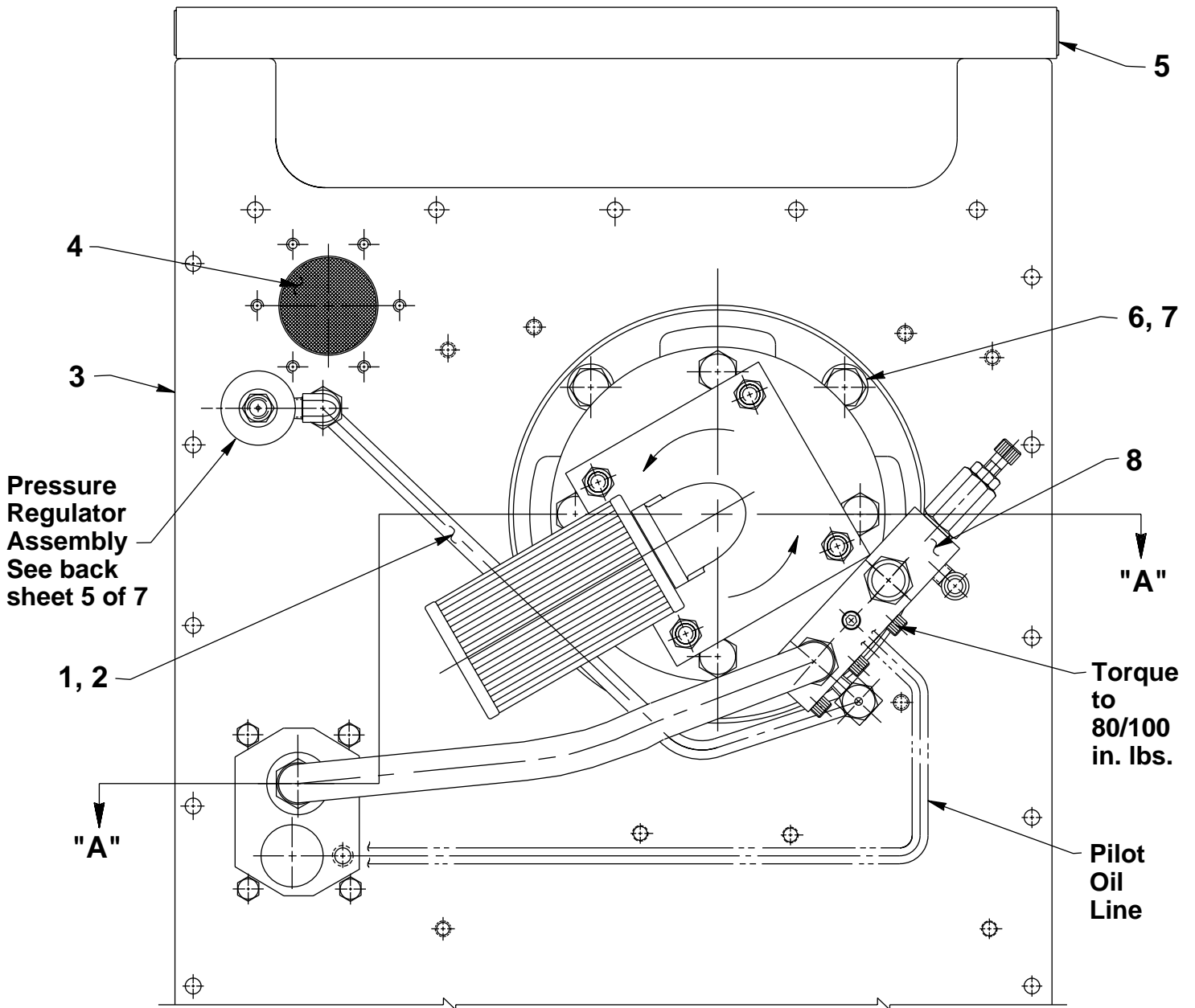
H1 to L1  
H2 to L3

**380 V.A.C., 50 HZ**

H1 to L1  
H3 to L3

NOTE: Unused lead to be capped with splice cap.

# BASIC PUMP ASSEMBLY - TOP VIEW

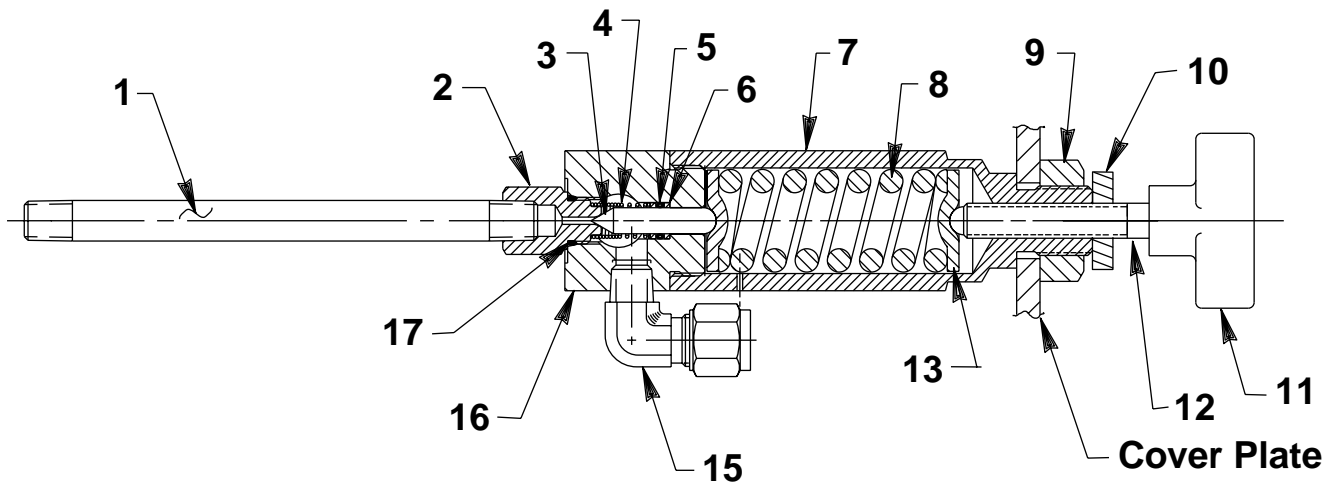




Item No.	Part No.	No. Req'd	Description
1	43647	1	Regulator Oil Line Assembly
2	12696	1	Straight Fitting
3	51098WH2	1	Cover Plate Weldment
	65253WH2	1	Cover Plate Weldment (For PE4004S-LM)
4	13167	1	Filler/Breather Assembly
5	12126	4	Square Plastic Insert
6	11623	4	Cap Screw (1/2-13 UNC X 1-1/4 Lg.)
7	10249	8	Spring Lockwasher
8	42795	1	Unloading Valve Assembly (See sheet 7 of 7)

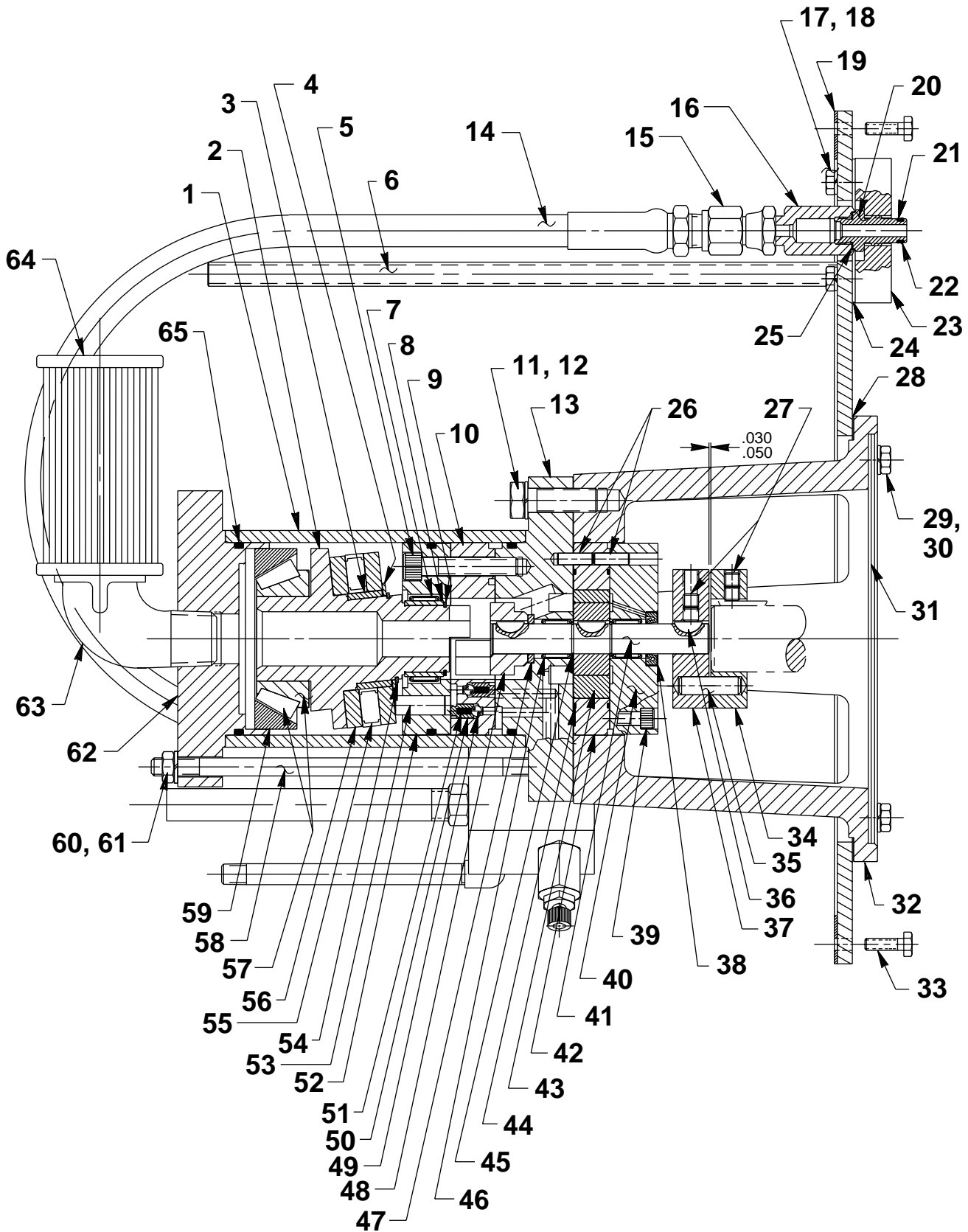


**PRESSURE REGULATOR ASSEMBLY  
SECTION B-B**



Item No.	Part No.	No. Req'd	Description
1	14463	1	Drain Tube
2	309078	1	Seat Fitting
3	309079	1	Poppet
4	215431	1	Compression Spring
5	10266	1	O-ring (3/8 x 1/4 x 1/16)
6	215430	2	Backup Washer (3/8 x 9/32 x 3/64)
7	309077	1	Spring Housing
8	215429	1	Compression Spring (1.100 O.D. x 2-1/2 Lg.)
9	10396	1	Jam Nut (3/4-16 UNF)
10	215683	1	Regulator Locking Nut
11	215693	1	Tee Knob
12	215721	1	Stem (Note: Assemble to knob [item #11] with Loctite No. 242 or equiv.)
13	215428	2	Spring Retainer
14	10475	1	90° Elbow Fitting
15	47648	1	Regulator Body
16	13755	1	O-ring (9/16 x 13/32 x 5/64)

# BASIC PUMP ASSEMBLY - SIDE VIEW



SECTION "A"- "A"

Item No.	Part No.	No. Req'd	Description	Item No.	Part No.	No. Req'd	Description
1	<b>37384</b>	1	Pump Housing	34	<b>37387</b>	1	Coupling
2	<b>51059</b>	1	Angle Plate	35	<b>203485</b>	2	Nylon Pin
3	<b>203476</b>	1	Bushing	36	<b>204537</b>	3	Woodruff Key
4	<b>17566</b>	1	Steel Washer (For 1-3/4 Bolt)	37	<b>37386</b>	1	Coupling
5	<b>11531</b>	8	Cap Screw (3/8-16 UNC X 2" Lg.;	38	<b>12194</b>	1	Oil Seal
			Cross torque in increments of	39	<b>10854</b>	6	Cap Screw (1/4-20UNC X 1-3/4 Lg.;
			100 in. lbs. to 340/360 in. lbs.				Cross torque to 80/100 in. lbs.)
			Note: Used on pumps built <u>before</u>	40	<b>51064</b>	1	Front End Plate
			2-21-97.)	41	<b>37376</b>	1	Pump Shaft
	<b>12866</b>	8	Cap Screw (3/8-16 UNC X 2-1/4" Lg.;	42	<b>42782</b>	1	Eccentric Ring
			Cross torque in increments of	43	<b>17313</b>	1	Gerotor Set
			100 in. lbs. to 460/480 in. lbs.	44	<b>17315</b>	2	O-ring (2-7/8 X 2-3/4 X 1/16)
			Note: Used on pumps built <u>after</u>	45	<b>12178</b>	2	Retainer Ring
			2-21-97.)	46	<b>15430</b>	2	Needle Bearing
6	<b>204265</b>	1	Drain Tube	47	<b>17435</b>	1	Thrust Washer
7	<b>17505</b>	1	Needle Bearing	48	<b>37378</b>	1	Drive Coupling
8	<b>17504</b>	1	Race Bearing	49	<b>10374</b>	16	Steel Ball (7/32 Dia.)
9	<b>17312</b>	1	Retainer Ring	50	<b>203477</b>	16	Ball Guide
10	<b>42732</b>	1	Valve Head (8 piston)	51	<b>17319</b>	17	Compression Spring
11	<b>10249</b>	8	Spring Lockwasher				(1/8 O.D. X 1/2 Lg.)
12	<b>10083</b>	4	Cap Screw (1/2-13 UNC X 1-1/2 Lg.;	52	<b>43313</b>	1	Pump Barrel
			Torque to 80/100 in. lbs.)	53	<b>204578</b>	8	Piston (.399 dia.; Install piston with 6°
13	<b>60415</b>	1	Pump End Plate				angle toward angle plate.)
14	<b>303838</b>	1	Hose Assembly (High pressure)	54	<b>14368</b>	1	Retainer Ring
	<b>351316</b>	1	Hyd. Hose (For PE4004S-BAR)	55	<b>17316</b>	2	Race Bearing
15	<b>17582</b>	1	Swivel Fitting	56	<b>17317</b>	1	Thrust Bearing
16	<b>21566</b>	1	Valve Body	57	<b>17311</b>	1	Cone Bearing
17	<b>10009</b>	4	Cap Screw (1/4-20 UNC X 3/4 Lg.)	58	<b>17318</b>	1	Race Bearing
18	<b>10245</b>	4	Spring Lockwasher	59	<b>203542</b>	4	Tie Rod
19	<b>42779</b>	1	Reservoir Gasket	60	<b>10204</b>	4	Steel Nut (3/8-16 UNC)
20	<b>201817</b>	1	Valve Connector	61	<b>10247</b>	4	Spring Lockwasher
21	<b>11863</b>	1	Backup Washer	62	<b>42737</b>	1	End Cap
22	<b>10268</b>	2	O-ring (1/2 X 3/4 X 1/16)	63	<b>10706</b>	1	Pipe Elbow
23	<b>43110</b>	1	Valve Mounting Block	64	<b>17491</b>	1	Filter
24	<b>200395</b>	1	Gasket	65	<b>11931</b>	3	O-ring (4" X 3-3/4 X 1/8)
25	<b>10261</b>	1	Soft Copper Washer				
			(3/4 X 19/32 X 1/32)				
26	<b>17567</b>	4	Spring Pin				
27	<b>10141</b>	4	Set Screw (5/16-18 UNC X 5/16 Lg.)				
28	<b>42796</b>	1	Gasket (Mounting Bracket)				
29	<b>10032</b>	4	Cap Screw (5/16-18 UNC X 1" Lg.)				
30	<b>10246</b>	4	Spring Lockwasher				
31	<b>42757</b>	1	Gasket (Electric Motor)				
32	<b>51089</b>	1	Mounting Bracket				
33	<b>10009</b>	20	Cap Screw (1/4-20 UNC X 3/4 Lg.)				

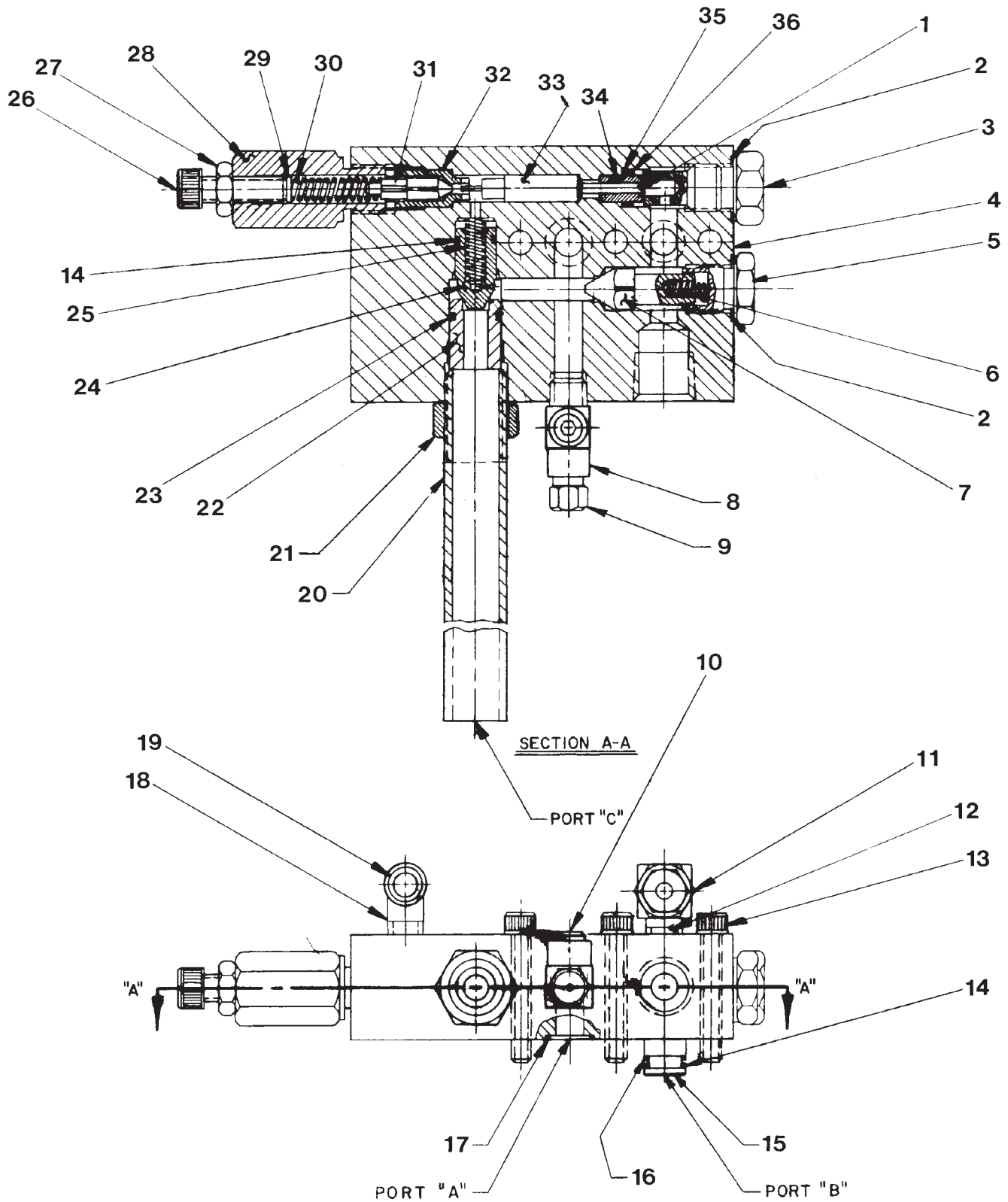
**PARTS INCLUDED BUT NOT SHOWN**

<b>252239</b>	1	Bulkhead Fitting	} For PE4004S-LM
<b>252240</b>	1	Straight Fitting	
<b>12546</b>	1	Plastic Cap	
<b>14993</b>	1	Straight Fitting	
<b>10682</b>	1	Straight Fitting	
<b>12360</b>	1	Straight Fitting	
<b>212998</b>	1	Straight Fitting	



# UNLOADING VALVE ASSEMBLY

To Parts List



Item No.	Part No.	No. Req'd	Description
1	12149	1	Dowel Pin (1/8 Dia. X 3/4 Lg.)
2	10261	2	Copper Washer (3/4 X 19/32 X 1/32)
3	37430	1	Adapter (Torque to 35/40 ft. lbs.)
4	60414	1	Valve Body
5	205394	1	Valve Plug (Torque to 35/40 ft. lbs.)
6	15141	1	Compression Spring (3/16 O.D. X 5/8 Lg.)
7	205393	1	Poppet
8	18969	1	Tee Fitting
9	306957	1	Air Bleed Valve
10	10427	1	Pipe Plug (1/8 NPTF)
11	21278	1	Relief Valve Assembly (Set at 10,100/10,700 PSI)
	21278-105	1	Relief Valve Assembly (Set at 10,600/11,100 PSI; For PE4004S-BAR)
12	24702	1	Tee
13	10022	3	Cap Screw (1/4-20 UNC X 1-1/2 Lg.)
14	10268	3	O-ring (1/2 X 3/4 X 1/16)
15	21094	1	Bushing
16	11863	2	Backup Washer
17	12098	1	O-ring (9/16 X 7/16 x 1/16)
18	13229	1	90° Elbow
19	14463	1	Drain Tube
20	203620	1	Drain Tube
21	10396	1	Jam Nut (3/4-16 UNF)
22	203621	1	Bushing
23	10301	1	O-ring (5/8 X 1/2 X 1/16)
24	37423	1	Poppet
25	11221	1	Compression Spring (1/4 O.D. X 1" Lg.)
26	11013	1	Cap Screw (5/16-18 X 1" Lg.)
27	10385	1	Jam Nut (5/16-18 UNC)
28	36545	1	Fitting (Unloading; Torque to 25/30 ft. lbs.)
29	16528	1	Spacer
30	17413	1	Compression Spring (5/16 O.D. x 1-1/2 Lg.)
31	203541	1	Poppet
32	37427	1	Guide
33	203540	1	Plunger Assembly
34	17414	1	Bushing
35	15085	1	Backup Washer (7/16 X 5/16 X 3/64 Thk.)
36	10267	1	O-ring (7/16 X 5/16 X 1/16)

