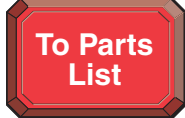


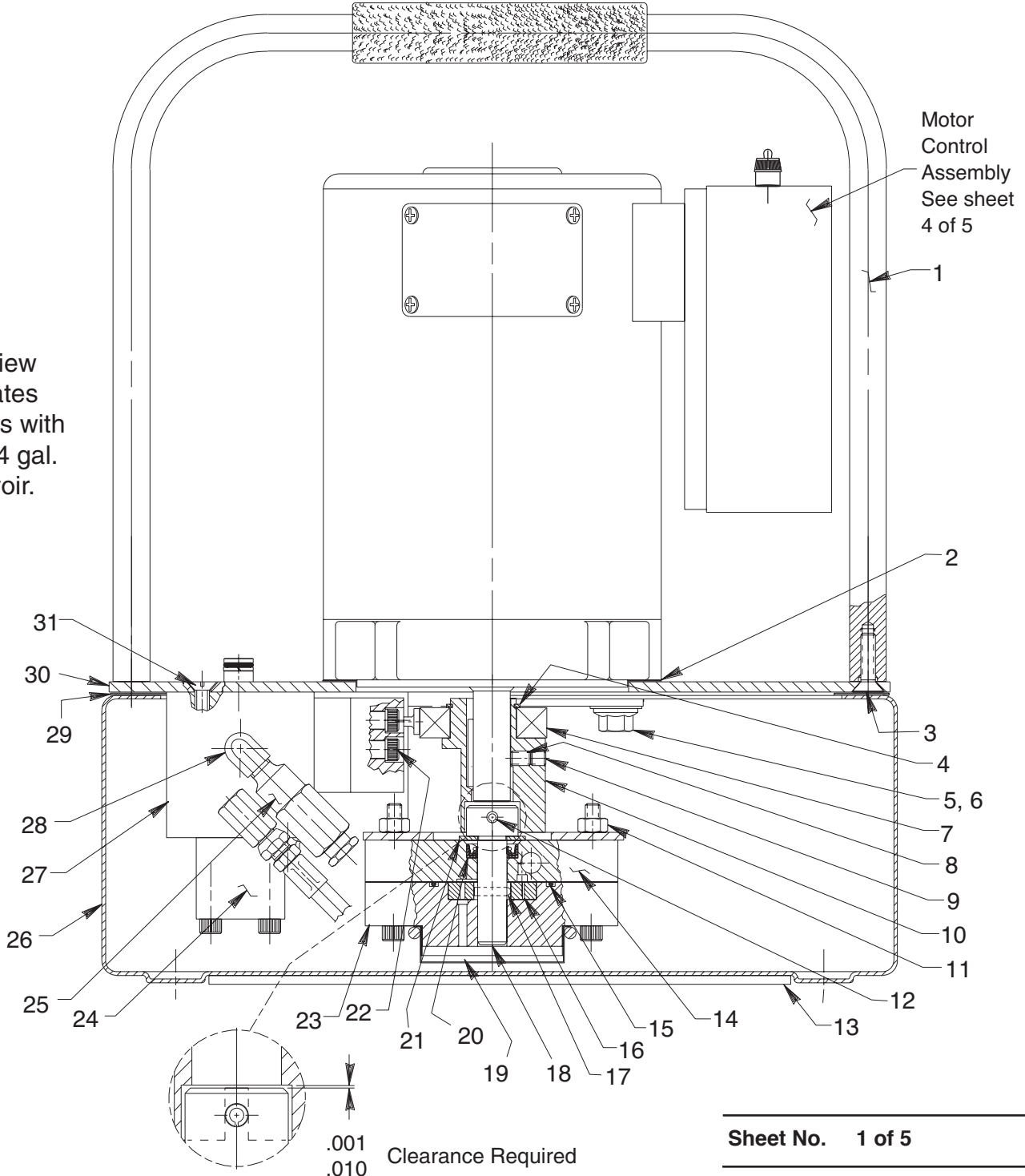
Parts List for:

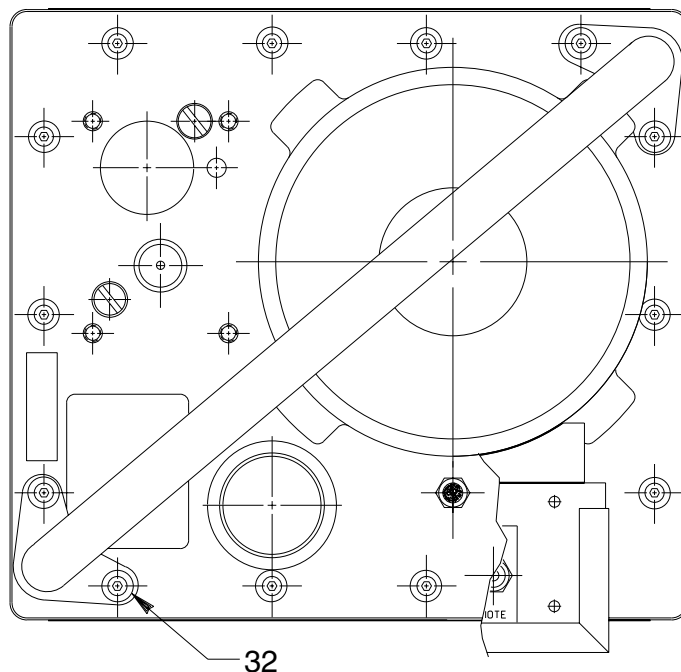
PE302R	PE303R-2
PE302R-2	PE304R
PE303R	PE304R-2

MODEL B ELECTRIC HYDRAULIC PUMP Max. Capacity: 10,000 PSI



This view illustrates models with a 1-3/4 gal. reservoir.





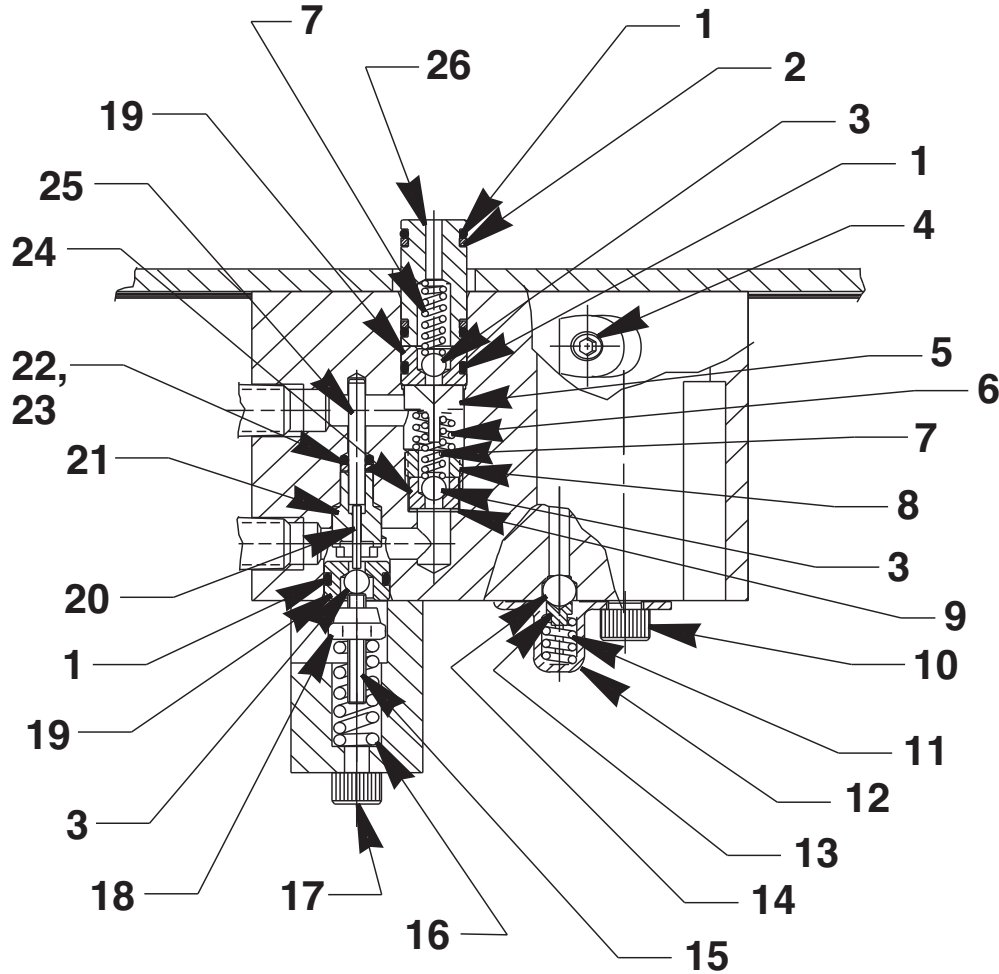
This view illustrates the handle orientation, and its mounting, on models with a one gallon reservoir.

Item No.	Part No.	No. Req'd	Description
1	64677BK2	1	Handle (For PE302R, PE303R, & PE304R)
	64582BK2	2	Roll Cage Frame (For PE302R-2, PE303R-2, & PE304R-2)
2	351060	1	Motor Base Gasket
3	11529	4	Cap Screw (1/4-20 UNC x 3/4 Lg.; Apply Loctite No. 242 or equiv.; For PE302R-2, PE303R-2, & PE304R-2)
4	209798	1	Retaining Ring
5	213663	4	Cap Screw (3/8-16 UNC X 1" Lg.; Torque 230/250 in. lbs.)
6	10258	4	Washer (For 3/8 bolt)
7	209805	1	Ball Bearing
8	10136	1	Set Screw (1/4-20 UNC x 1/4 Lg.; Torque to 60/80 in. lbs.)
9	10519	1	Set Screw (1/4-20 UNC X 3/8 Lg.; Torque to 60/80 in. lbs.)
10	420840	1	Eccentric
11	10199	2	Hex Nut (1/4-20 UNC)
12	12298	1	Roll Pin (3/16 dia. x 1-1/2" Lg.)
13	420427	1	Rubber Pad (For PE302R-2, PE303R-2, & PE304R-2; NOTE: Apply 3M adhesive # to bottom of reservoir and pad.)
	420948	1	Rubber Pad (For PE302R, PE303R, & PE304R; NOTE: Apply 3M adhesive # to bottom of reservoir and pad.)
14	64623	1	Upper Gerotor Housing
15	10922	1	O-ring (2-1/8" X 1-15/16" X 3/32)
16	304826	1	Gerotor

Item No.	Part No.	No. Req'd	Description
17	209794	1	Gerotor Drive Pin
18	350940	1	Gerotor Shaft
19	21846	1	Filter Support
20	304830	1	Oil Seal
21	12595	1	Washer (1-1/8" X 1/2 X .077 Thk.)
22	10022	4	Screw (1/4-20 UNC X 1-1/2" Lg.; Torque to 180/200 in. lbs.)
23	64580	1	Gerotor Housing
24	350930	1	Retaining Block
25	21278	1	Relief Valve Assembly (Set at 10,100/10,700 PSI)
26	64665OR9	1	Reservoir (1 Gal. - For PE302R, PE303R, & PE304R)
	64241OR9	1	Reservoir (2 Gal. - For PE302R-2, PE303-2R, & PE304R-2)
27	64612	1	Check Body
28	13229	1	Street Elbow
29	420931	1	Reservoir Gasket (For PE302R, PE303R, & PE304R)
	420424	1	Reservoir Gasket (For PE302R-2, PE303R-2, & PE304R-2)
30	64666BK2	1	Cover Plate (For PE302R, PE303R, & PE304R)
	64579BK2	1	Cover Plate (For PE302R-2, PE303R-2, & PE304R-2)
31	11529	2	Cap Screw (1/4-20 UNC x 3/4 Lg.)
32	15911	4	Cap Screw (1/4-20 5/8 Lg.; Apply Loctite No. 242 or equiv. and torque to 60/80 in. lbs. - For PE302R, PE303R, & PE304R)



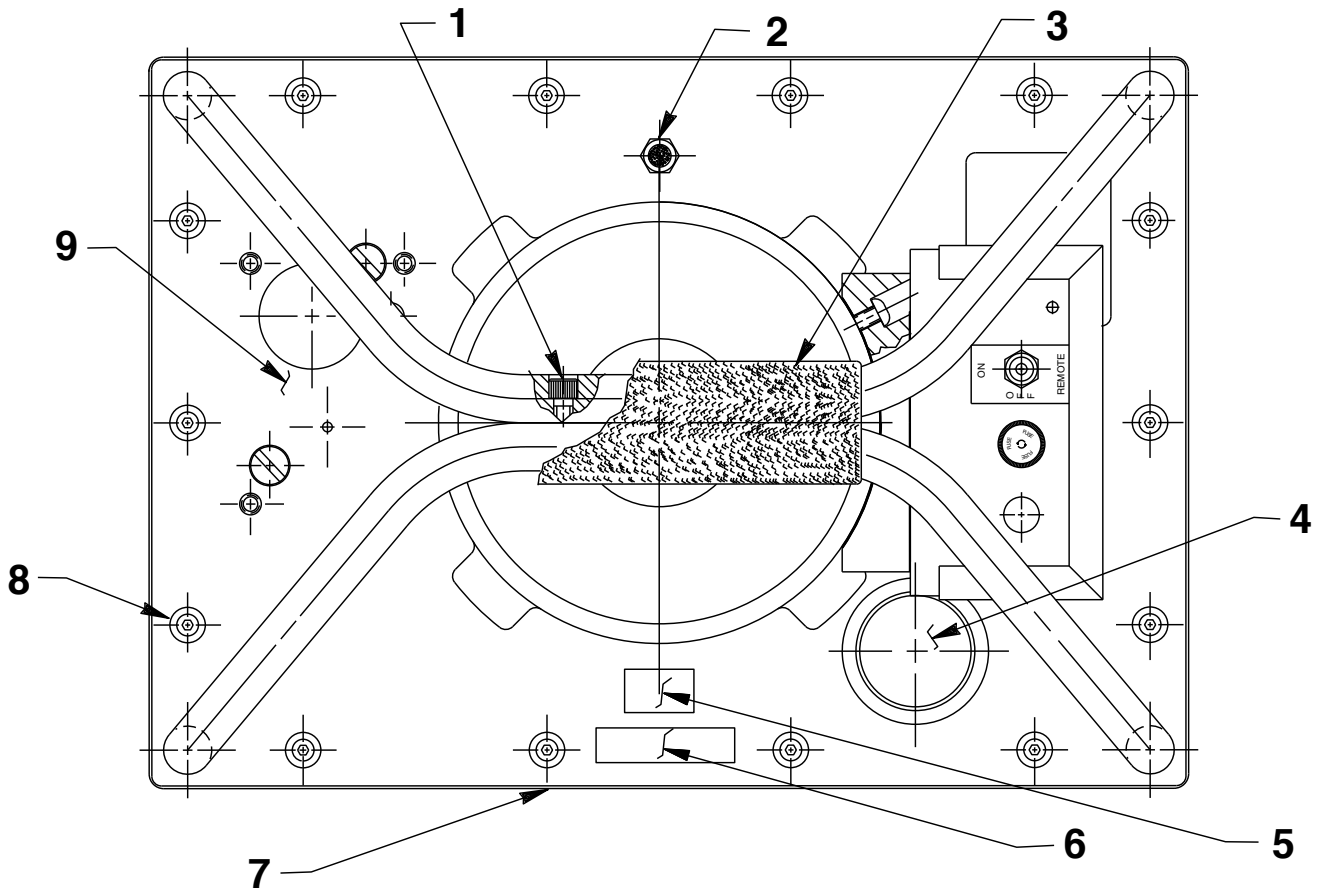
HIGH PRESSURE PUMP ASSEMBLY



Item No.	Part No.	No. Req'd	Description
1	10268	4	O-ring (1/2 X 3/8 X 1/16)
2	11863	2	Backup Washer (1/2 X 3/8 X 1/16)
3	12223	4	Ball (3/16 Dia.)
4	15130	1	Plug (1/16 NPTF)
5	251601	1	Outlet Ball Stop
6	10444	1	Compression Spring (3/16 I.D. X 13/32 Lg.)
7	10445	2	Compression Spring (5/32 O.D. X 3/4 Lg.)
8	209797	1	Hollow Lock Screw (7/16-20 UNF-3A; Torque to 110/130 in. lbs.)
9	10442	1	Washer (3/8 X 1/4 X 1/32)
10	10002	1	Cap Screw (1/4-20 UNC X 3/8 Lg.; Torque to 60/80 in. lbs.)
11	15691	1	Compression Spring (1/4 O.D. X 5/8 Lg.)
12	350577	1	Spring Retainer

Item No.	Part No.	No. Req'd	Description
13	200796	1	Adapter
14	10374	1	Steel Ball (7/32 Dia.)
15	251067	1	Set Screw (Unloading valve; #10-24 UNC x 1" Lg.)
16	14484	1	Compression Spring (3/8 O.D. X 1" Lg.)
17	10854	2	Cap Screw (1/4-20 UNC X 1-3/4" Lg.; Torque to 60/80 in. lbs.)
18	207405	1	Locknut (10-24 UNC)
19	251065	2	Replaceable Seat
20	251611	1	Dowel Pin (5/8 X 1/2 Lg.)
21	251068	1	Guide
22	17797	1	O-ring (1/4 X 1/8 X 1/16)
23	214992	1	Backup Ring (15/64 x 1/8 x 3/64)
24	209787	1	Replaceable Seat
25	16471	1	Dowel Pin (1/8 dia. x 1" Lg.; Taper on pin should be away from guide [Item #21].)
26	251581	1	Bushing

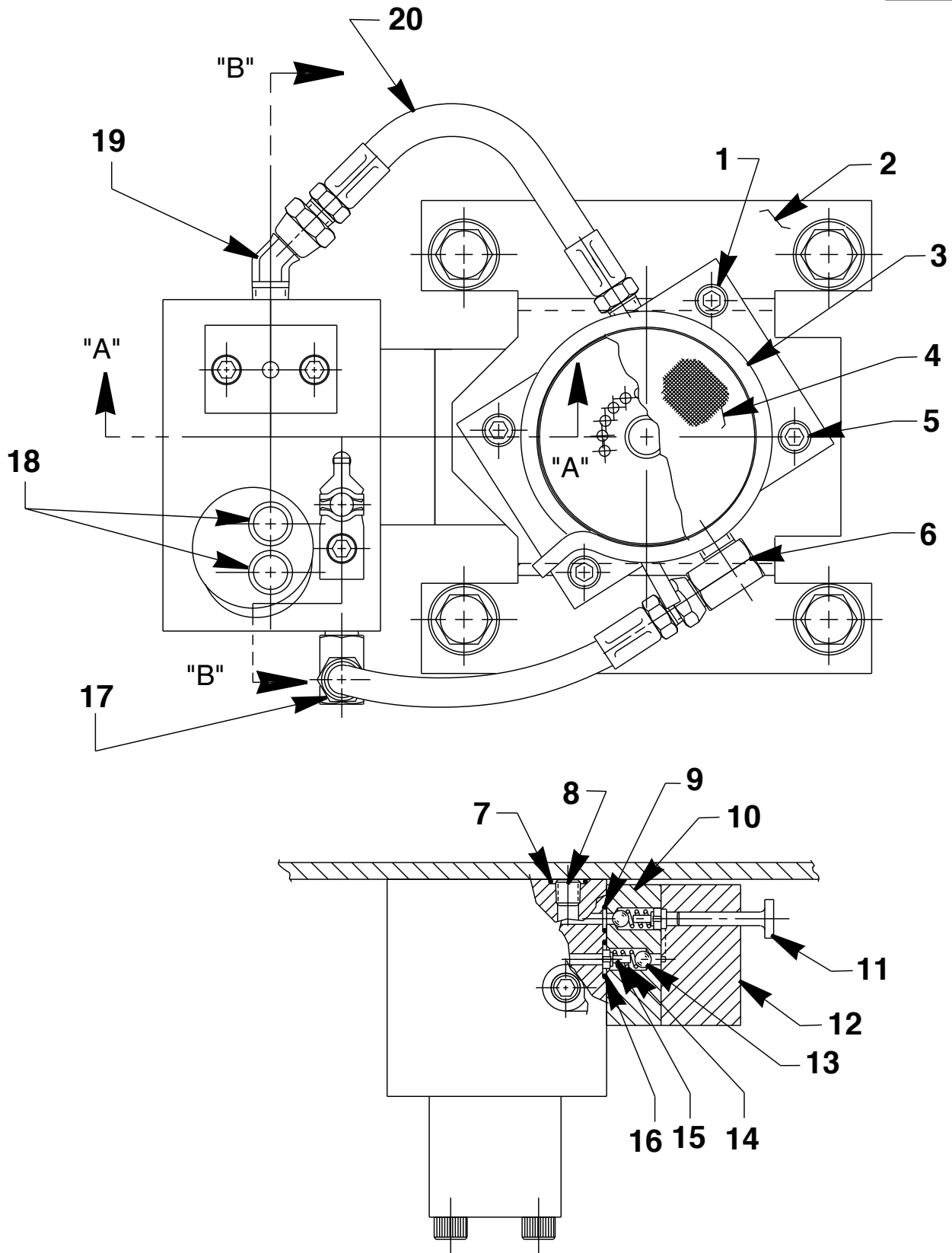
TOP VIEW



Item No.	Part No.	No. Req'd	Description
1	10008	2	Cap Screw (For PE302R-2, PE303R-2, & PE304R-2 only)
2	251599	1	Breather Filter Vent
3	251600	1	Handle Grip (For PE302R-2, PE303R-2, & PE304R-2 only)
4	350925	1	Filler Cap
5	203972	1	Logo CSA Decal
6	213695	1	Intermittent Duty Decal
7	309219	2	Trade Name Decal (For PE302R, PE303R, & PE304R)
	309221	2	Trade Name Decal (For PE302R-2, PE303R-2, & PE304R-2)
8	10177	14	Cap Screw (1/4-20 X 5/8 Lg.; Torque to 70 in. lbs. Note: On models with a one gallon reservoir, four of these mount the handle also [see back sheet 1 of 5].)
9	9584	1	Valve Assembly (For PE302R & PE302R-2; See Form No. 101239) Note: When ordering this valve also order (4) 10890 Cap Screws for mounting valve to pump.
	9520	1	Valve Assembly (For PE303R & PE303R-2; Apply Loctite #242 to threads of valve handle stem [both ends.] See Form No. 101377) Note: When ordering this valve also order (4) 11956 Cap Screws for mounting valve to pump.
	52516	1	Valve Assembly (For PE304R & PE304R-2; Apply Loctite #242 to threads of valve handle stem [both ends.] See Form No. 100623) Note: When ordering this valve also order (4) 11956 Cap Screws for mounting valve to pump.



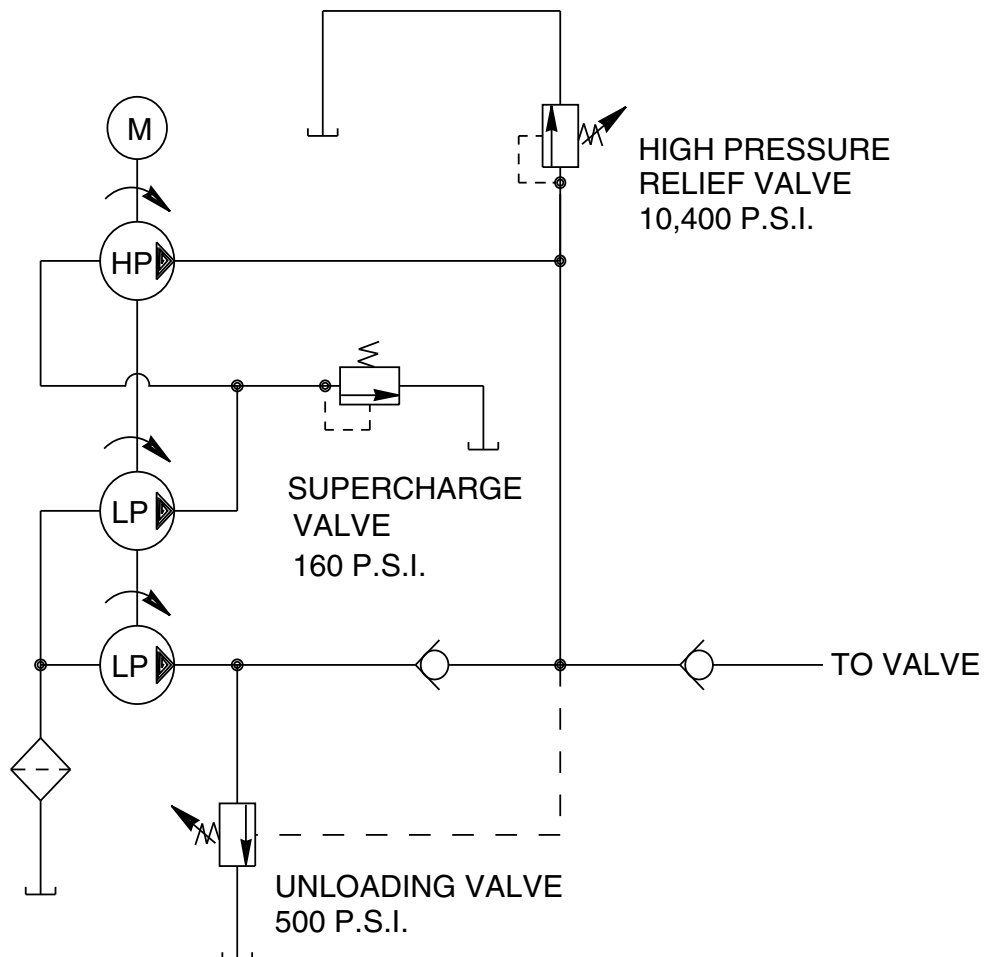
BOTTOM VIEW AND SECTION A-A



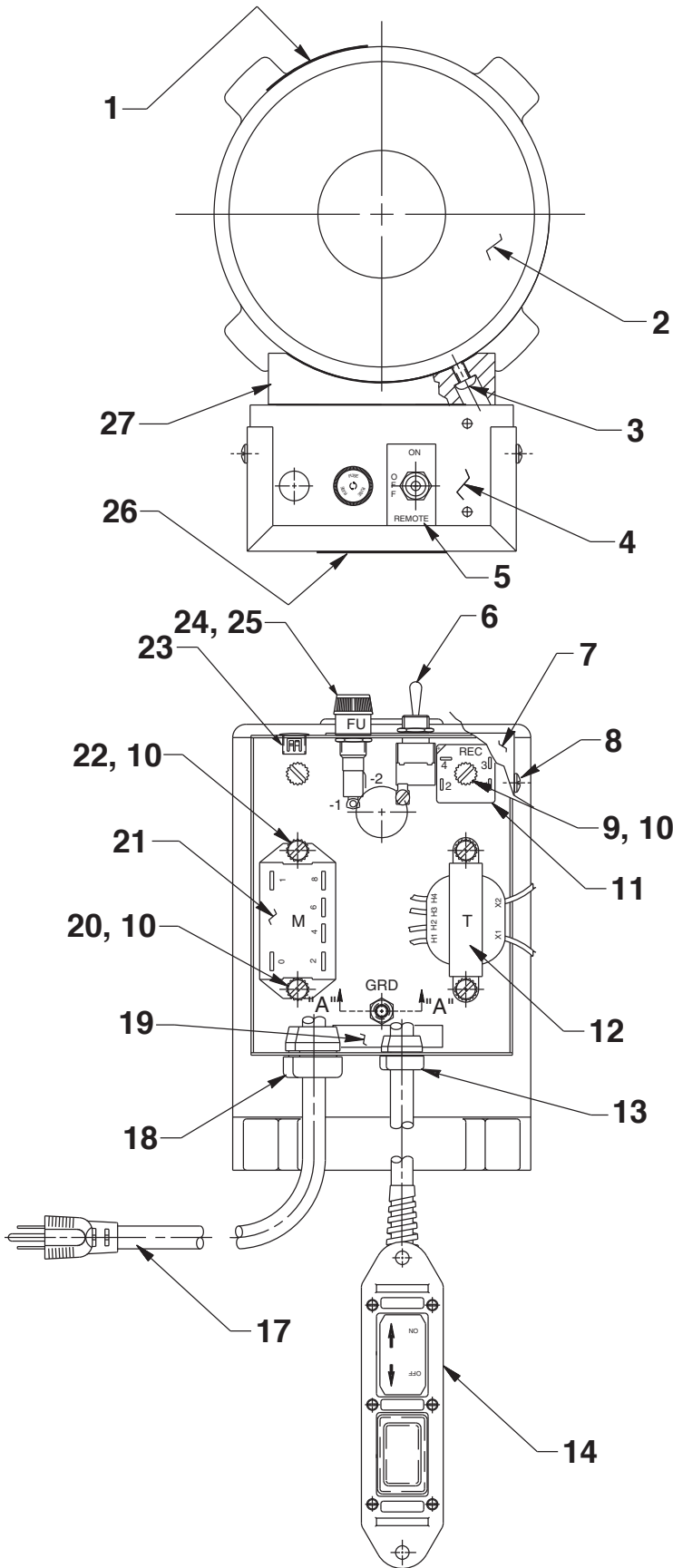
Item No.	Part No.	No. Req'd	Description	Item No.	Part No.	No. Req'd	Description
1	10022	2	Cap Screw (1/4-20 UNC X 1-1/2" Lg.; Torque to 60/80 in. lbs.)	12	45866	1	Block
2	58481	1	Gerotor Housing Bracket	13	12223	1	Ball (3/16 Dia.)
3	11461	1	Hose Clamp	14	10445	2	Compression Spring (5/32 O.D. X 3/4 Lg.)
4	21608	1	Filter	15	24549	2	Ball Guide
5	10890	2	Cap Screw (1/4-20 UNC X 2" Lg.; Torque to 60/80 in. lbs.)	16	14763	1	O-ring (7/16 X 5/16 X 1/16)
6	14440	1	90° Elbow Fitting	17	13229	1	Elbow
7	15279	1	O-ring (1/2 X 3/8 X 1/16)	18	250630	2	Drain Tube (For PE303R & PE303R-2)
8	15130	1	Plug (1/16 NPTF)		250630	1	Drain Tube (For PE302R, PE302R-2, PE304R & PE304R-2)
9	10265	1	O-ring (5/16 X 3/16 X 1/16)	19	251800	1	Elbow Fitting
10	45559	1	Block	20	304819	2	Hose Assembly
11	305526	1	High Pressure Piston				



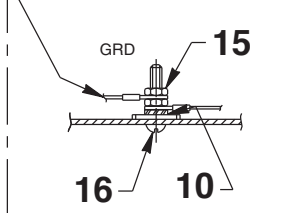
HYDRAULIC SCHEMATIC



MOTOR CONTROL ASSEMBLY

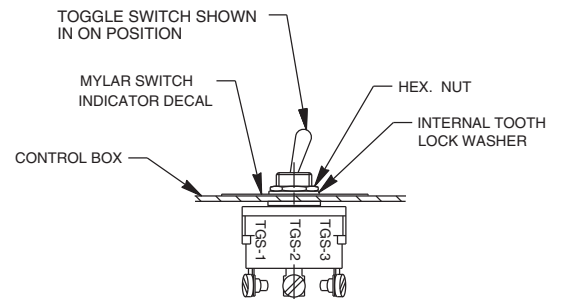


POWER CORD GROUND
(MUST BE ISOLATED BETWEEN
NUTS AND CAN BE AT
TOP OR BOTTOM OF STACK.)



NOTE: SERRATED LOCK WASHER
MUST BE ADJACENT TO
METAL BOX. MORE WASHERS
CAN BE USED IF DESIRED.

VIEW "A-A"



Parts List, Form No. 101858, Back sheet 4 of 5

Item No.	Part No.	No. Req'd	Description
1	351024	1	Decal, Vanguard 30 Series
2	*420838BK2	1	Motor, Elec. (115V, 60 Hz)
3	12316	2	Screw, Pan Head (10-24 x 5/8)
4	59025BK2	1	Box, Electrical Control
5	25802	1	Decal, Switch Indicator
6	12665	1	Switch, Toggle
7	42576BK2	1	Cover, Control Box
8	11141	4	Screw, Pan Head (6-20 x 3/8)
9	252872	1	Screw, Round HD (10-32 x 5/8)
10	11108	7	Washer, Tooth Ext. (.40 x .20)
11	251050	1	Rectifier
12	251049	1	Transformer
13	15993	1	Bushing, Strain Relief
14	25017	1	Control, Hand (See sheet 5 of 5)

Item No.	Part No.	No. Req'd	Description
15	10197	2	Nut, Hex (10-24)
16	11856	1	Screw, Round HD (10-24 x 1)
17	25229	1	Cord (8' LG, 115V, 14/3 SJTO)
18	210112	1	Bushing, Strain Relief
19	205189	1	Decal, Label Ground
20	10164	2	Screw, Round HD (10-24 x 3/8)
21	251638	1	Relay, General Purpose
22	12909	3	Screw, Round HD (10-32 x 1/4)
23	17782	1	Plug, Snap
24	18292	1	Holder, Fuse
25	252288	1	Fuse (15 AMP, 250V)
26	200188	1	Decal, Warning Important
27	420962	1	Adapter, Mounting

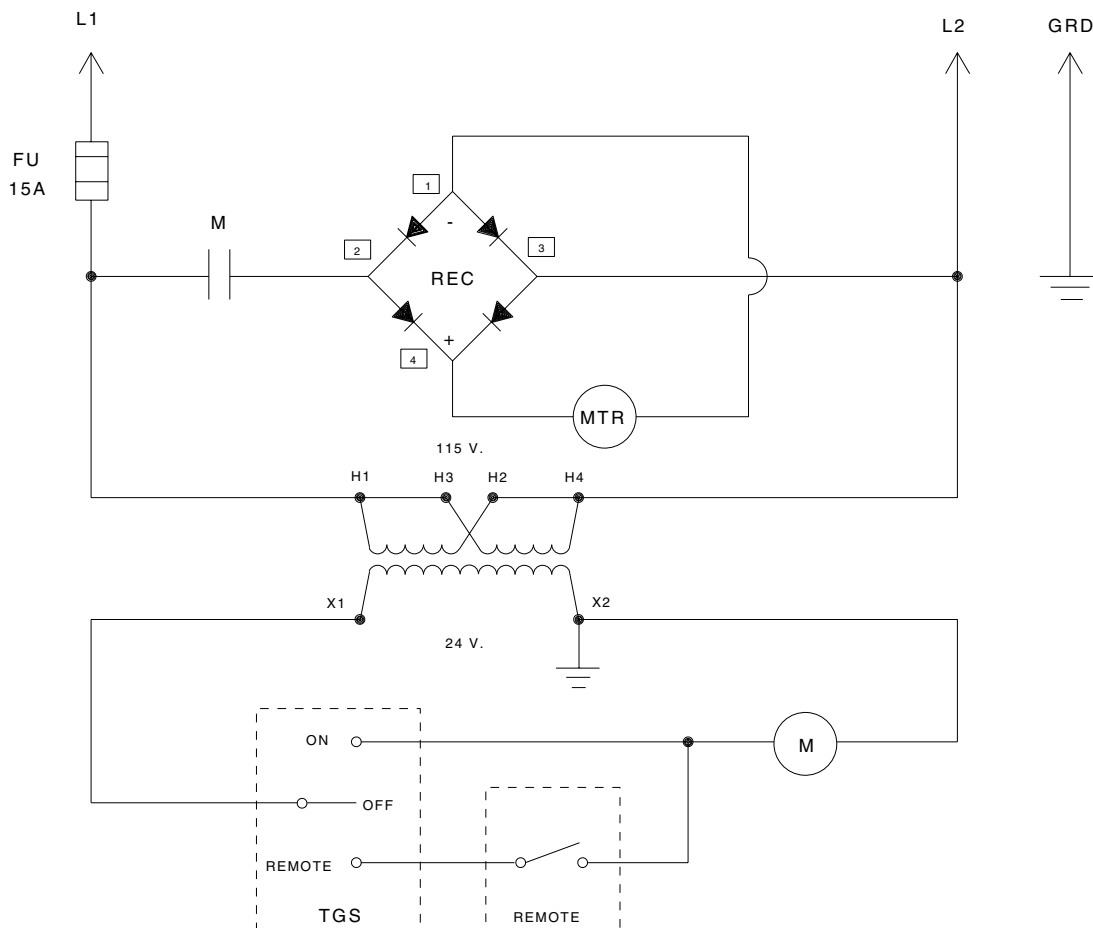


* Note: For replacement brushes, order (2) #252958.

ELECTRICAL SCHEMATIC 110/115 V., 50/60 Hz.

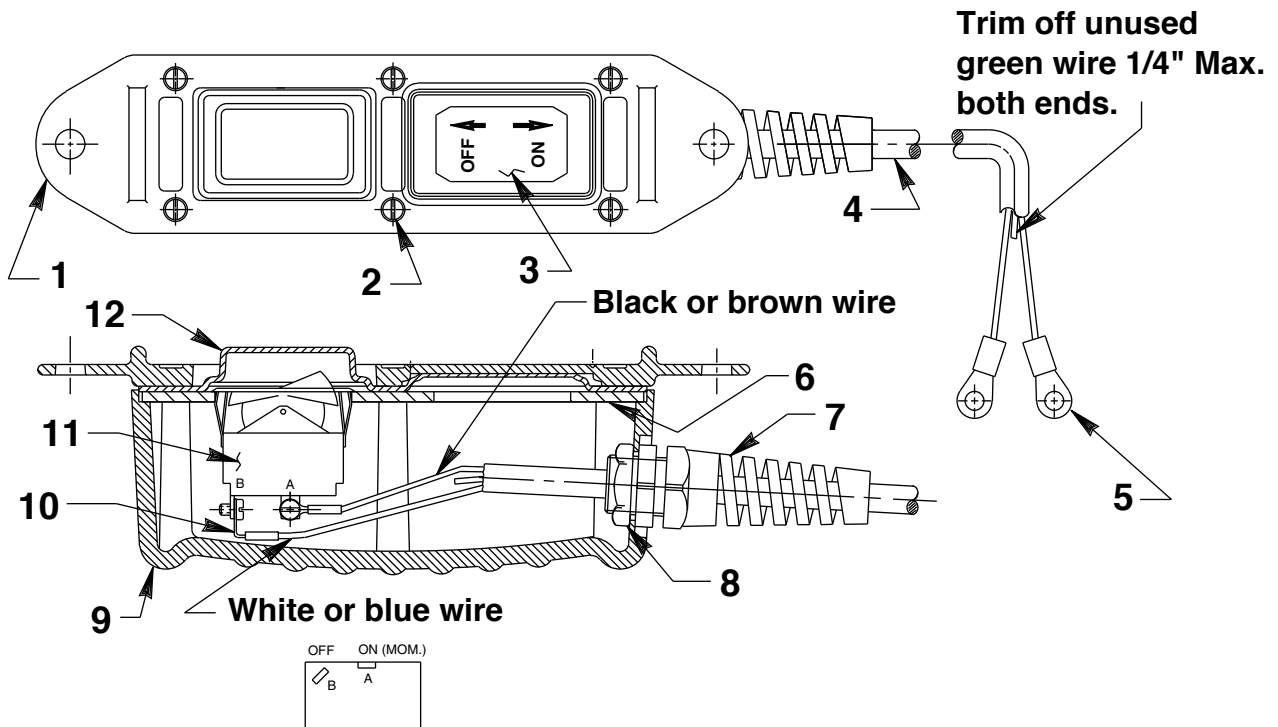


WARNING: To help prevent personal injury, all electrical work must be done by a qualified electrician.



REMOTE HAND SWITCH ASSEMBLY

No. 25017



Item No.	Part No.	No. Req'd	Description
1	420050-1	1	Cover
2	250248	6	Screw (4-24 x 3/4 Lg.)
3	202763	1	Decal
4	12908	11 ft.	Cable (18/3 SJTO)
5	10458	2	Ring Terminal
6	420050-3	1	Switch Mounting Plate
7	251818	1	Strain Relief Connector
8	251802	1	Locknut (3/4-16 UNF; Torque to 30/35 in. lbs.)
9	420050-4	1	Switch Housing
10	10525	2	Ring Terminal
11	16772	1	Rocker Switch
12	420050-2	1	Gasket

Refer to any operating instructions included with this product for detailed information about operation, testing, disassembly, reassembly, and preventive maintenance.

Items found in this parts list have been carefully tested and selected. **Therefore: Use only genuine Power Team replacement parts!**

Additional questions can be directed to our Technical Services Department.