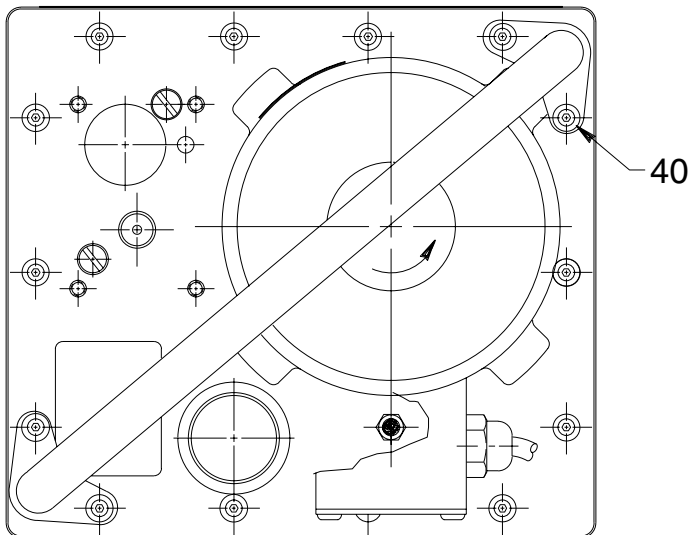




# Parts List, Form No. 101378, Back sheet 1 of 4



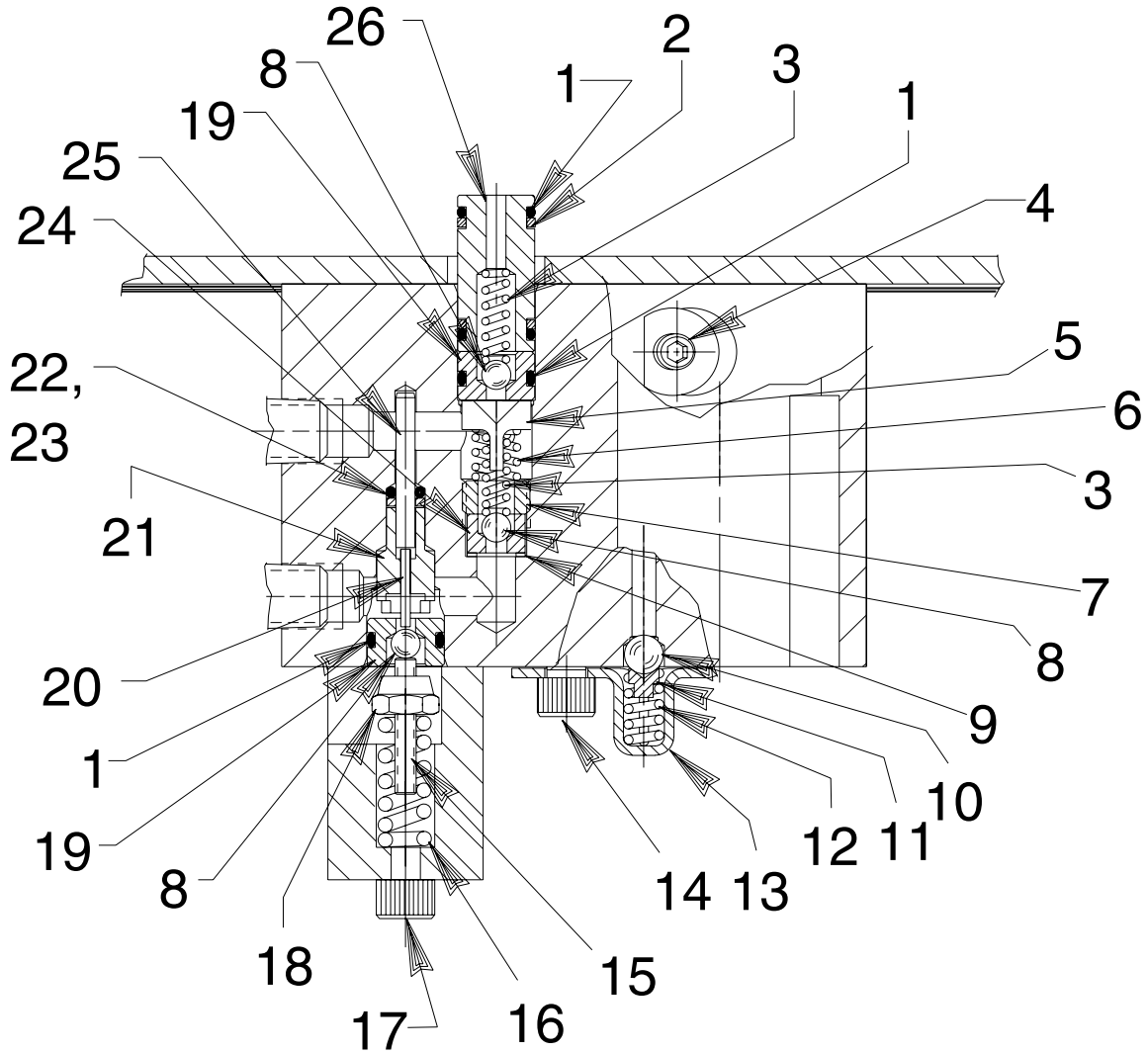
This view illustrates the handle orientation, and its mounting, on models with a one gallon reservoir.

| Item No. | Part No. | No. Req'd | Description   | Item No.    | Part No.   | No. Req'd   | Description   |
|----------|----------|-----------|---|-------------|------------|---|---|
| 1        | 350980   | 1         | Toggle Switch   | 32          | 21278      | 1   | Relief Valve Assembly (Set at 10,100/10,700 PSI)  |
| 2        | 25926    | 1         | Decal   | 33          | 64665OR9   | 1   | Reservoir (1 Gal. - For PE302, PE302-220, PE303, PE303-220, PE304 & PE304-220)  |
| 3        | 11010    | 1         | Hex Nut (10-32)   | 64241OR9    | 1          | Reservoir (2 Gal. - For PE302-2, PE302-2-220, PE303-2, PE303-2-220, PE304-2, PE304-2-220, PE30-HOGEN, & PE30-HOGEN-115) |   |
| 4        | 64677BK2 | 1         | Handle (For PE302, PE302-220, PE303, PE303-220, PE304 & PE304-220)  | 34          | 64612      | 1   | Check Body  |
|          | 64582BK2 | 1         | Roll Cage Frame (For PE302-2, PE302-2-220, PE303-2, PE303-2-220, PE304-2 & PE304-2-220)   | 35          | 13229      | 1   | Street Elbow  |
| 5        | 252288   | 1         | Fuse (15 Amp; For 110/115 Volt units)   | 36          | 420931     | 1   | Reservoir Gasket (For PE302, PE302-220, PE303, PE303-220, PE304 & PE304-220)  |
|          | 250176   | 2         | Fuse (6.25 Amp; For 220/230 Volt units)   | 420424      | 1          | Reservoir Gasket (For PE302-2, PE302-2-220, PE303-2, PE303-2-220, PE304-2, PE304-2-220, PE30-HOGEN & PE30-HOGEN-115)    |   |
| 6        | 16887    | 1         | Fuse Holder (For 110/115 Volt units)  | 37          | 64666BK2   | 1   | Cover Plate (For PE302, PE302-220, PE303, PE303-220, PE304 & PE304-220)   |
|          | 16887    | 2         | Fuse Holder (For 220/230 Volt units)  | 64579BK2    | 1          | Cover Plate (For PE302-2, PE302-2-220, PE303-2, PE303-2-220, PE304-2, PE304-2-220, PE30-HOGEN & PE30-HOGEN-115)         |   |
| 7        | 216669   | 1         | Plug  | 38          | 11529      | 2   | Screw (1/4-20 UNC x 3/4 Lg.)  |
| 8        | 200188   | 1         | Decal   | 39          | *420838BK2 | 1   | Electric Motor (110/115 V.; For PE302, PE302-2, PE303, PE303-2, PE304, PE304-2 & PE30-HOGEN-115)  |
| 9        | 351060   | 1         | Motor Base Gasket   | **420839BK2 | 1          | Electric Motor (220/230 V.; For PE302-220, PE302-2-220, PE303-220, PE303-2-220, PE304-220, PE304-2-220, & PE30-HOGEN)   |   |
| 10       | 11529    | 4         | Cap Screw (1/4-20 UNC x 3/4 Lg.; Apply Loctite No. 242 or equiv. and torque to 70 in. lbs. - For PE302-2, PE302-2-220, PE303-2, PE303-2-220, PE304-2 & PE304-2-220) | 40          | 15911      | 2   | Cap Screw (1/4-20 5/8 Lg.; Apply Loctite No. 242 or equiv. and torque to 70 in. lbs. - For PE302, PE302-220, PE303, PE303-220, PE304 & PE304-220) |
| 11       | 209798   | 1         | Retaining Ring  | 41          | 351253     | 1   | Electrical Control Box  |
| 12       | 213663   | 4         | Cap Screw (3/8-16 UNC X 1" Lg.)   | 42          | 251050     | 1   | Rectifier   |
| 13       | 10258    | 4         | Washer (For 3/8 bolt)   |             |            |   |   |
| 14       | 209805   | 1         | Ball Bearing  |             |            |   |   |
| 15       | 10136    | 1         | Set Screw (1/4-20 UNC x 1/4 Lg.; Torque to 70 in. lbs.)   |             |            |   |   |
| 16       | 10519    | 1         | Set Screw (1/4-20 UNC X 3/8 Lg.; Torque to 70 in. lbs.)   |             |            |   |   |
| 17       | 420840   | 1         | Eccentric   |             |            |   |   |
| 18       | 10199    | 2         | Hex Nut (1/4-20 UNC)  |             |            |   |   |
| 19       | 12298    | 1         | Roll Pin (3/16 dia. x 1-1/2" Lg.)   |             |            |   |   |
| 20       | 420427   | 1         | Rubber Pad (For PE302-2, PE302-2-220, PE303-2, PE303-2-220, PE304-2, PE304-2-220, PE30-HOGEN & PE30-HOGEN-115)  |             |            |   |   |
| 21       | 64623    | 1         | Upper Gerotor Housing   |             |            |   |   |
| 22       | 10922    | 1         | O-ring (2-1/8" X 1-15/16" X 3/32)   |             |            |   |   |
| 23       | 304826   | 1         | Gerotor   |             |            |   |   |
| 24       | 209794   | 1         | Gerotor Drive Pin   |             |            |   |   |
| 25       | 350940   | 1         | Gerotor Shaft   |             |            |   |   |
| 26       | 21846    | 1         | Filter Support  |             |            |   |   |
| 27       | 304830   | 1         | Oil Seal  |             |            |   |   |
| 28       | 12595    | 1         | Washer (1-1/8" X 1/2" X .077 Thk.)  |             |            |   |   |
| 29       | 10022    | 4         | Screw (1/4-20 UNC X 1-1/2" Lg.; Torque to 190 in. lbs.)   |             |            |   |   |
| 30       | 64580    | 1         | Gerotor Housing   |             |            |   |   |
| 31       | 350930   | 1         | Retaining Block   |             |            |   |   |

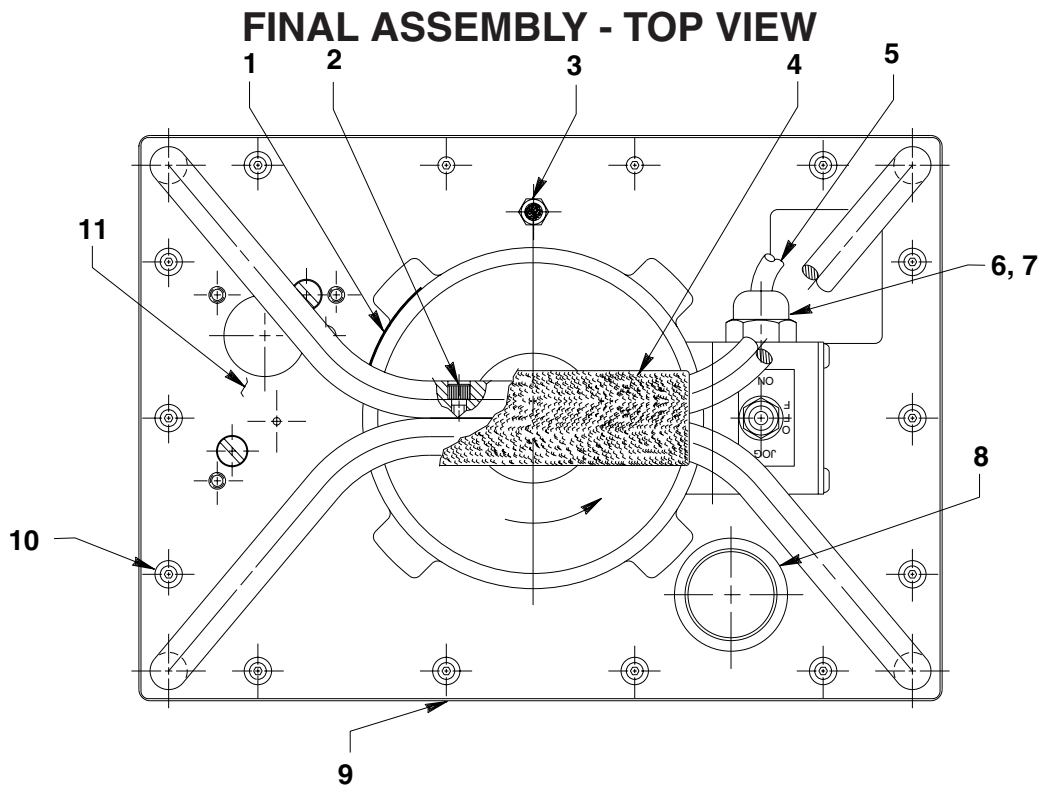
\* Note: For Replacement brushes, order (2) #252958.  
 \*\* Note: For Replacement brushes, order (2) #252961.



### HIGH PRESSURE PUMP ASSEMBLY

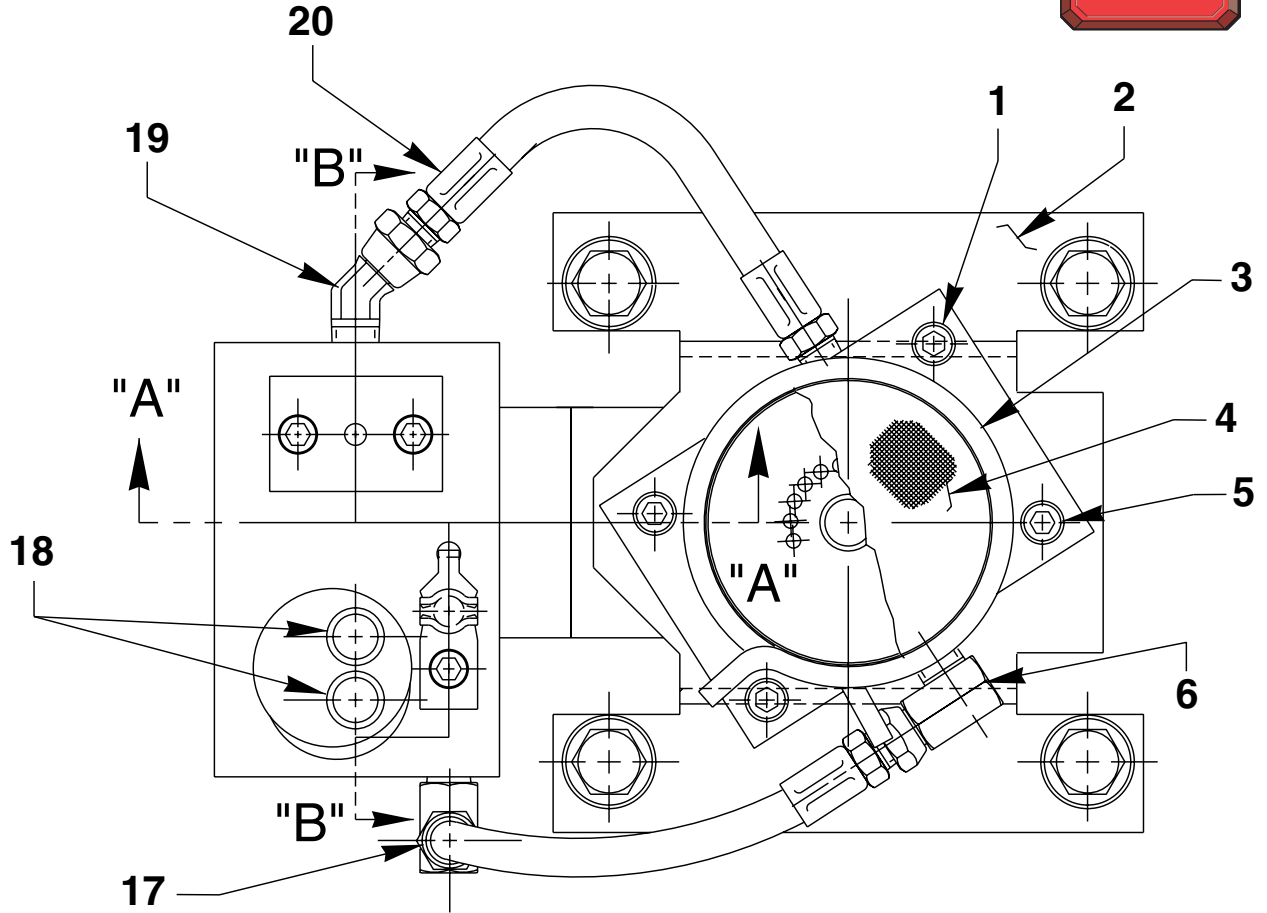


| Item No. | Part No. | No. Req'd | Description  | Item No. | Part No. | No. Req'd | Description  |
|----------|----------|-----------|--|----------|----------|-----------|--|
| 1        | 10268    | 4         | O-ring (1/2 X 3/8 X 1/16)                                  | 13       | 350577   | 1         | Spring Retainer  |
| 2        | 11863    | 2         | Backup Washer (1/2 X 3/8 X 1/16)                           | 14       | 10002    | 1         | Cap Screw (1/4-20 UNC X 3/8 Lg.; Torque to 70 in. lbs.)    |
| 3        | 10445    | 2         | Compression Spring (5/32 O.D. X 3/4 Lg.)                   | 15       | 251067   | 1         | Set Screw (Unloading valve; #10-24 UNC x 1" Lg.)           |
| 4        | 15130    | 1         | Plug (1/16 NPTF)   | 16       | 14484    | 1         | Compression Spring (3/8 O.D. X 1" Lg.)                     |
| 5        | 251601   | 1         | Outlet Ball Stop   | 17       | 10854    | 2         | Cap Screw (1/4-20 UNC X 1-3/4" Lg.; Torque to 70 in. lbs.) |
| 6        | 10444    | 1         | Compression Spring (3/16 I.D. X 13/32 Lg.)                 | 18       | 207405   | 1         | Locknut (10-24 UNC)  |
| 7        | 209797   | 1         | Hollow Lock Screw (7/16-20 UNF-3A; Torque to 120 in. lbs.) | 19       | 251065   | 2         | Replaceable Seat   |
| 8        | 12223    | 4         | Ball (3/16 Dia.)   | 20       | 251611   | 1         | Dowel Pin (1/2 x 3/8 x .049)                               |
| 9        | 10442    | 1         | Washer (3/8 X 1/4 X 1/32)                                  | 21       | 251068   | 1         | Guide  |
| 10       | 10374    | 1         | Steel Ball (7/32 Dia.)                                     | 22       | 17797    | 1         | O-ring (1/4 X 1/8 X 1/16)                                  |
| 11       | 200796   | 1         | Adapter  | 23       | 214992   | 1         | Backup Ring (15/64 x 1/8 x 3/64)                           |
| 12       | 15691    | 1         | Compression Spring (1/4 O.D. X 5/8 Lg.)                    | 24       | 209787   | 1         | Replaceable Seat   |
|          |          |           |  | 25       | 16471    | 1         | Dowel Pin (1/8 dia. x 1" Lg.)                              |
|          |          |           |  | 26       | 251581   | 1         | Bushing  |

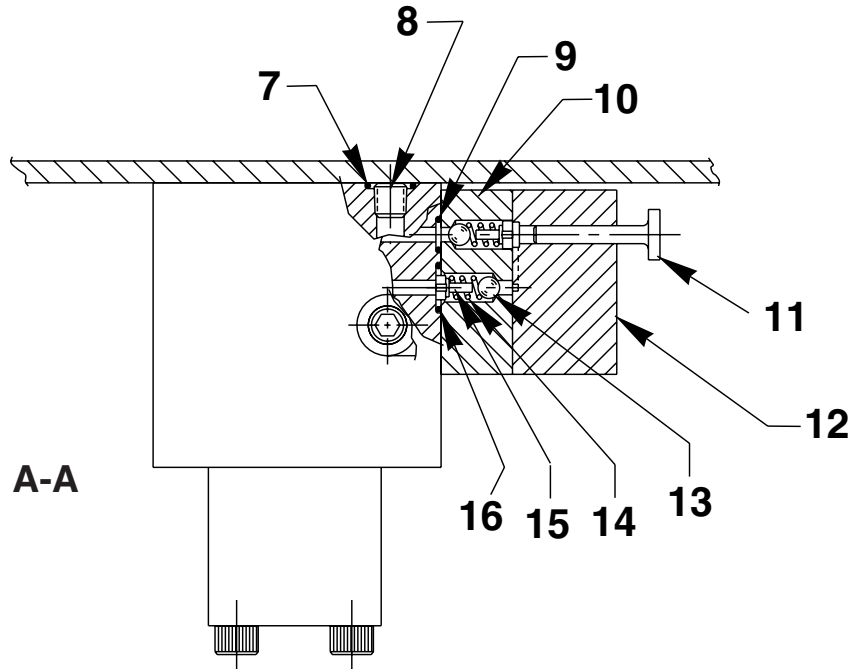


| Item No. | Part No. | No. Req'd | Description  |
|----------|----------|-----------|--|
| 1        | 351024   | 1         | Decal  |
| 2        | 10008    | 2         | Cap Screw (For PE302-2, PE302-2-220, PE303-2, PE303-2-220, PE304-2 & PE304-2-220 only)   |
| 3        | 251599   | 1         | Breather Filter Vent   |
| 4        | 251600   | 1         | Handle Grip (For PE302-2, PE302-2-220, PE303-2, PE303-2-220, PE304-2, PE304-2-220 only)  |
| 5        | 25229    | 1         | Cord Set (115 V.; For PE302, PE302-2, PE303, PE303-2, PE304, PE304-2 & PE30-HOGEN-115)   |
|          | 308752   | 1 ft.     | Electrical Cable (220 V.; For PE302-220, PE302-2-220, PE303-220, PE303-2-220, PE304-220, PE304-2-220, & PE30-HOGEN)  |
| 6        | 216666   | 1         | Bushing  |
| 7        | 216680   | 1         | Locknut  |
| 8        | 350925   | 1         | Filler Cap   |
| 9        | 309219   | 2         | Trade Name Decal (For PE302, PE302-220, PE303, PE303-220, PE304 & PE304-220)   |
|          | 309221   | 2         | Trade Name Decal (For PE302-2, PE302-2-220, PE303-2, PE303-2-220, PE304-2, PE304-2-220, PE30-HOGEN & PE30-HOGEN-115)   |
| 10       | 15911    | 14        | Cap Screw (1/4-20 X 5/8 Lg.; Torque to 70 in. lbs.)  |
| 11       | 9584     | 1         | Valve Assembly (For PE302, PE302-2, PE302-220 & PE302-2-220; See Form No. 101239; Note: When ordering this valve also order (4) 10890 Cap Screws for mounting valve to pump.)  |
|          | 9520     | 1         | Valve Assembly (For PE303, PE303-2, PE303-220 & PE303-2-220; Apply Loctite #242 to threads of valve handle stem [both end]. - See Form No. 101377; Note: When ordering this valve also order (4) 10890 Cap Screws for mounting valve to pump.) |
|          | 52516    | 1         | Valve Assembly (For PE304, PE304-2, PE304-220 & PE304-2-220; Apply Loctite #242 to threads of valve handle stem [both end]. - See Form No. 100623; Note: When ordering this valve also order (4) 11956 Cap Screws for mounting valve to pump.) |
|          | 60916    | 1         | Pressure Compensated Valve (For PE30-HOGEN & PE30-HOGEN-115; See Form No. 101373; Note: When ordering this valve also order (4) 251078 Cap Screws and (4) 10245 lockwashers for mounting valve to pump.)                                       |

# BASIC PUMP ASSEMBLY



SECTION A-A



BOTTOM VIEW AND SECTION A-A

# Parts List, Form No. 101378, Back sheet 3 of 4

| Item No. | Part No. | No. Req'd | Description  |
|----------|----------|-----------|--|
| 1        | 10022    | 2         | Cap Screw (1/4-20 UNC X 1-1/2" Lg.; Torque to 70 in. lbs.)   |
| 2        | 58481    | 1         | Gerotor Housing Bracket  |
| 3        | 11461    | 1         | Hose Clamp   |
| 4        | 21608    | 1         | Filter   |
| 5        | 10890    | 2         | Cap Screw (1/4-20 X 2" Lg.)  |
| 6        | 14440    | 1         | 90° Elbow Fitting  |
| 7        | 15279    | 1         | O-ring (1/2 X 3/8 X 1/16)  |
| 8        | 15130    | 1         | Plug (1/16 NPTF)   |
| 9        | 10265    | 1         | O-ring (5/16 X 3/16 X 1/16)  |
| 10       | 45559    | 1         | Block  |
| 11       | 305526   | 1         | High Pressure Piston   |
| 12       | 45866    | 1         | Block  |
| 13       | 12223    | 1         | Ball (3/16 Dia.)   |
| 14       | 10445    | 1         | Compression Spring (5/32 O.D. X 3/4 Lg.)   |
| 15       | 24549    | 2         | Ball Guide   |
| 16       | 14763    | 1         | O-ring (7/16 X 5/16 X 1/16)  |
| 17       | 13229    | 1         | Elbow  |
| 18       | 250630   | 1         | Drain Tube (For PE302, PE302-2, PE302-220, PE302-2-220<br>PE304, PE304-2, PE304-220 & PE304-2-220) |
|          | 250630   | 2         | Drain Tube (For PE303, PE303-2, PE303-220 & PE303-2-220)   |
|          | 12360    | 1         | Drain Tube (For PE30-HOGEN & PE30-HOGEN-115)   |
| 19       | 251800   | 1         | Elbow Fitting  |
| 20       | 304819   | 2         | Hose Assembly  |



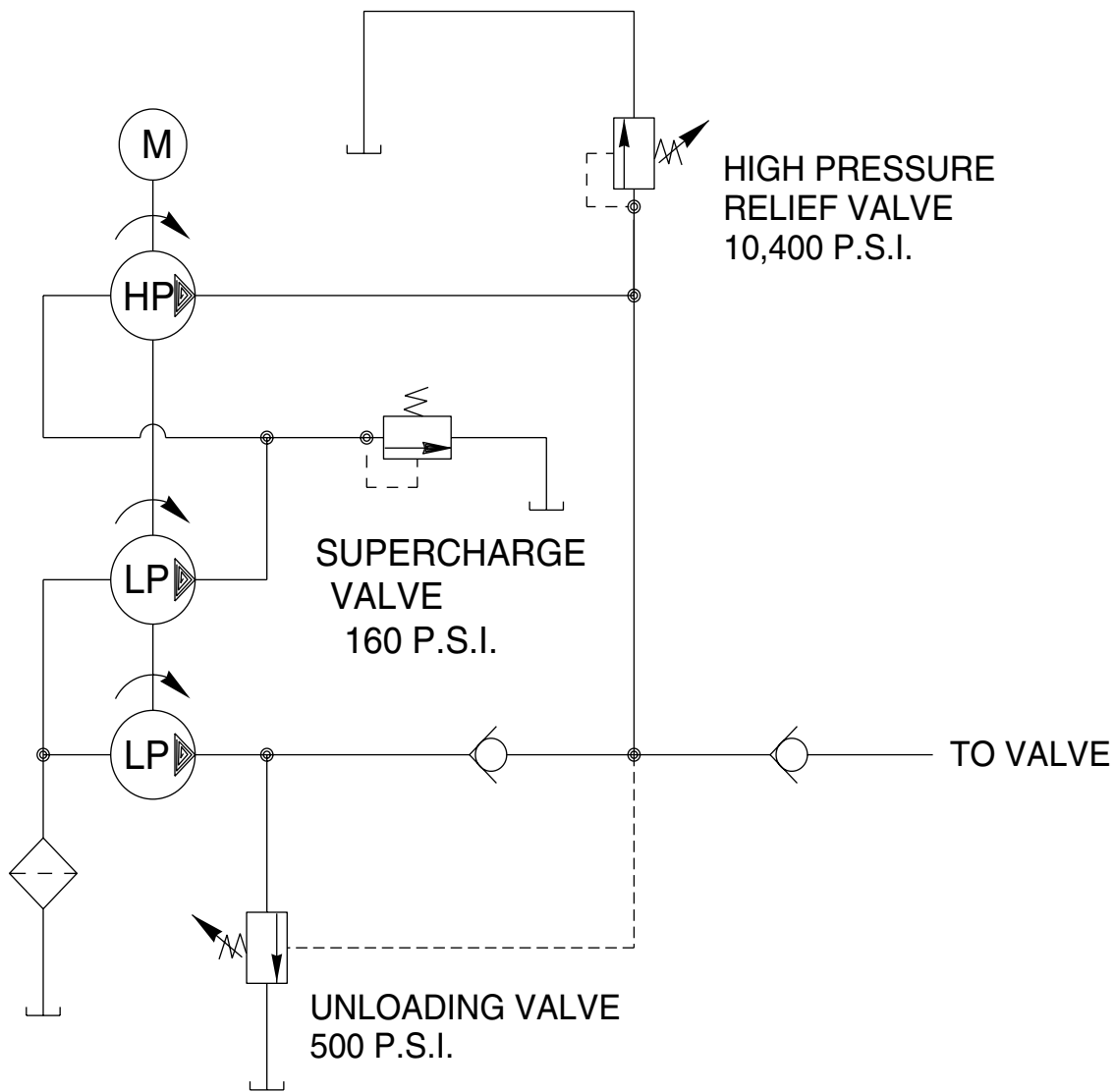
Refer to any operating instructions included with this product for detailed information about operation, testing, disassembly, reassembly, and preventive maintenance.

Items found in this parts list have been carefully tested and selected. **Therefore: Use only genuine Power Team replacement parts!**

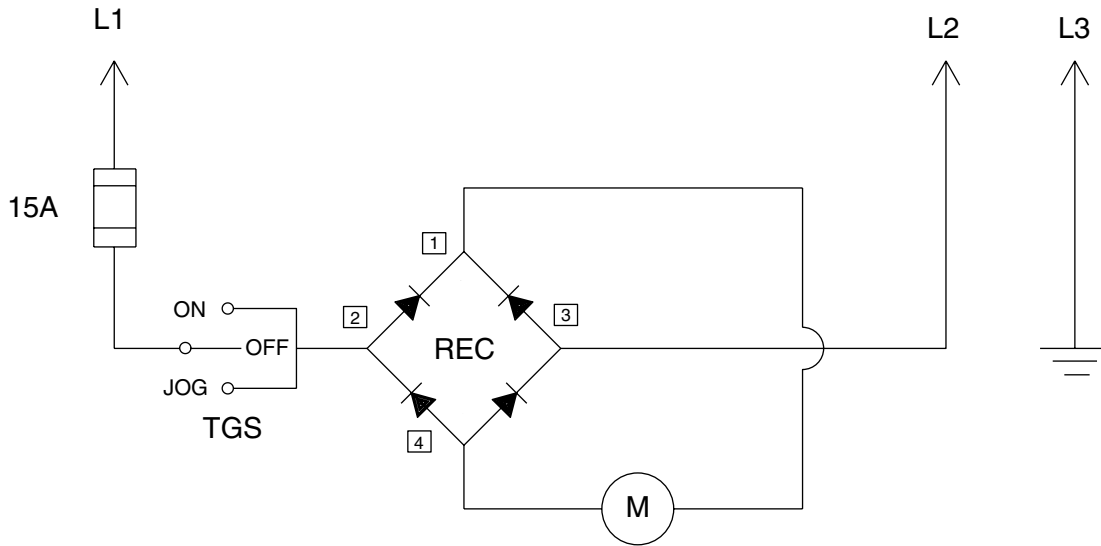
Additional questions can be directed to our Technical Services Department.

Note: Items #19 & #20 were switched at last revision(s) made to this form.

### HYDRAULIC SCHEMATIC



**ELECTRICAL SCHEMATIC**  
**110/115 V., 50/60 HZ.**



**ELECTRICAL SCHEMATIC**  
**220/230 V., 50/60 HZ.**

