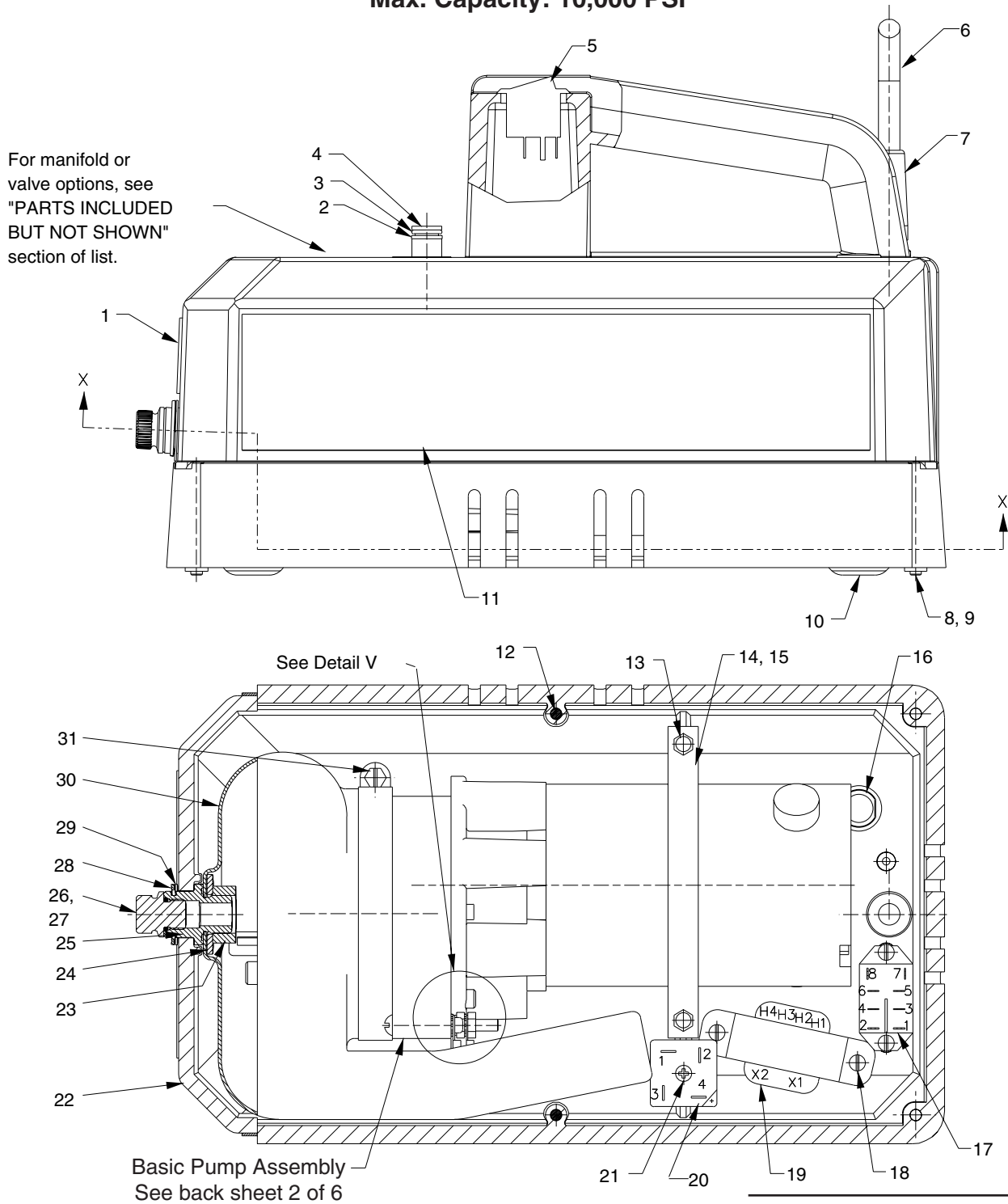


ELECTRIC HYDRAULIC PUMP Max. Capacity: 10,000 PSI



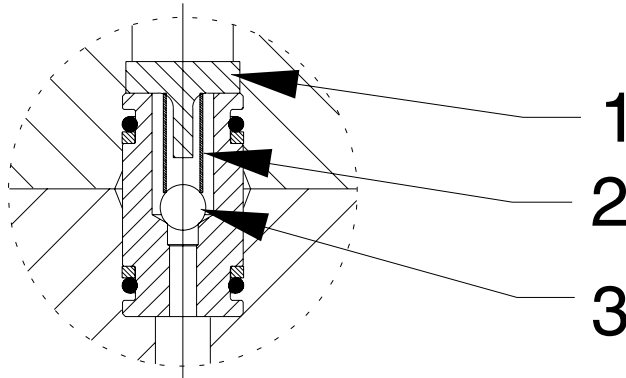
SECTION X-X

Parts List, Form No. 101324, Back sheet 1 of 6

Item No.	Part No.	No. Req'd	Description	Item No.	Part No.	No. Req'd	Description
1	251072	1	Warning & Fill Instructions Decal	28	251043	1	Retaining Ring
2	*11863	2	Backup Washer (1/2 X 3/8 X 1/16)	29	201373	1	Retainer Washer
3	*10268	2	O-ring (1/2 X 3/8 X 1/16; For PE102, PE102-220, PE104, PE104-220, PR102 & PR104)	30	420643	1	Bladder
	†17716	2	O-ring (1/2 X 3/8 X 1/16; For PE102, PE102-220, PE104, PE104-220, PR102 & PR104)		†420736	1	Bladder
	*10268	3	O-ring (1/2 X 3/8 X 1/16; For PE102A, PE102A-220 & PR102A)	31	350305	1	Hose Clamp
	†17716	3	O-ring (1/2 X 3/8 X 1/16; For PE102A, PE102A-220 & PR102A)	PARTS INCLUDED BUT NOT SHOWN			
4	202505	1	Bushing (For PE102, PE102A, PE102-220, PE102A-220, PR102 & PR104)	†250238	1	Decal (EPR Seals)	
	251128	1	Bushing (For PE104, PE104-220 & PR104)	350646	1	Cord Set (For PR Series only)	
5	251051	1	Rocker Switch	10855	2	Screw (Torque to 160/180 in. lbs. Tighten the screw on the right hand side facing the pump first.)	
6	24733	1	Cord Set (For PE Series only)	*10268	1	O-ring (1/2 X 3/8 X 1/16; For PE102A, PE102A-220, & PR102A)	
	250894	1	Electrical Plug (For PR Series only)	†17716	1	O-ring (1/2 X 3/8 X 1/16; For PE102A, PE102A-220, & PR102A)	
	12293	1.5 ft.	Electrical Cable (For PR Series only)	251253	1	Remote Switch (For PR102A-DEUT)	
7	251048	1	Bushing	251635	1	Remote Switch (For PE102A-EMP)	
8	12515	4	Machine Screw (10-24 UNC X 1 3/4 Lg.)	250176	1	Fuse (For PE102, PE102A, & PE104)	
9	207405	4	Locknut (10-24 UNC)	206962	1	Fuse (For PE102-220, PE102A-220, & PE104-220)	
10	420607	1	Base Plate	203972	1	Decal (CSA logo)	
11	351035	2	Trade Name Decal	OTHER OPTIONS AND ACCESSORIES			
12	14456	2	Screw (#10-24 X 1/2 Lg.; Place ground wire terminal between cover & housing.)	9562	1	Manifold (For PE102A, PE102A-220, PR102A, PE102A-EMP & PR102A-DEUT; See Form No. 101344)	
13	211060	2	Screw (#9-15 X 1" Lg.)	9561	1	2 Position, 2-Way Valve (For PE102, PE102-220 PE102A-EMP, PR102A-DEUT & PR102; See Form No. 101327)	
14	251039	.5 ft.	Motor Mounting Strap	9563	1	3 Position, 4-Way Valve (For PE104, PE104-220, & PR104; See Form No. 101326)	
15	251041	3"	Channel Rubber	9560	1	Pressure Regulator (See Form No. 101328)	
16	251045	1	"D" Bushing Plug	10461	1	Foot Switch Assembly	
17	251046	1	Relay (For PE Series only)	25017	1	Hand Switch Assembly	
18	15468	4	Screw (#6-32 X 3/8 Lg.)	9625	1	Pressure Switch (See Form No. 100589)	
19	251049	1	Transformer (For PE Series only)	BP12V	1	12 Volt Battery Pack (Includes sealed lead acid battery, 115 V. charger, battery-to-pump 4 ft. cord set, carrying case and shoulder strap.)	
	251052	1	Relay (For PR Series only)	VC220	1	Voltage Converter w/ Plug Adapters (Converts 220 V. 50/60 cycle to 110 V. 50/60 cycle)	
20	251050	1	Rectifier (For PE Series only)	RB12V	1	Replacement Battery only	
21	251073	1	Screw (6-32 x 3/4 Lg.; For PE Series only)	RC12V	1	Replacement Battery 4 Ft. Cord Set (For BP12V)	
22	64363	1	Plastic Housing				
23	10394	1	Hex Nut (5/8-18 UNF)				
24	13324	1	Washer (For 5/8 Bolt)				
25	350583	1	Filler Adapter				
26	*13755	1	O-ring (.558 x .414 x .072)				
	†251035	1	O-ring (.558 x .414 x .072)				
27	251280	1	O-ring Boss Plug				

Part numbers marked with an asterisk (*) are contained in Repair Kit No. 300651.
Part numbers marked with a dagger (†) are contained in EPR Seal Kit No. 300653.

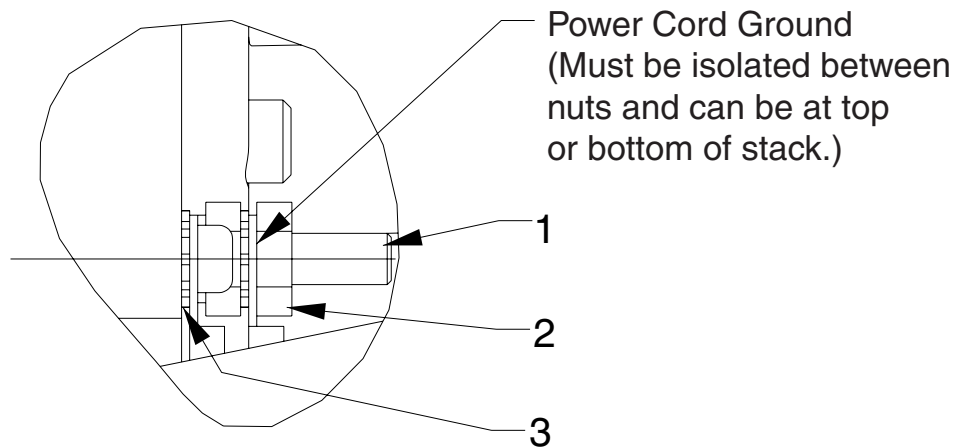
**DETAIL FOR 4-WAY VALVE OUTLET CHECK
(FOR PE104, PE104-220, & PR104)**



Item No.	Part No.	No. Req'd	Description
1	209795	1	Outlet Ball Stop
2	*10445	1	Compression Spring (5/32 O.D. X 3/4 Lg.)
3	*12223	1	Ball (3/16 Dia.)

Part numbers marked with an asterisk (*) are contained in Repair Kit No. 300653.

DETAIL V

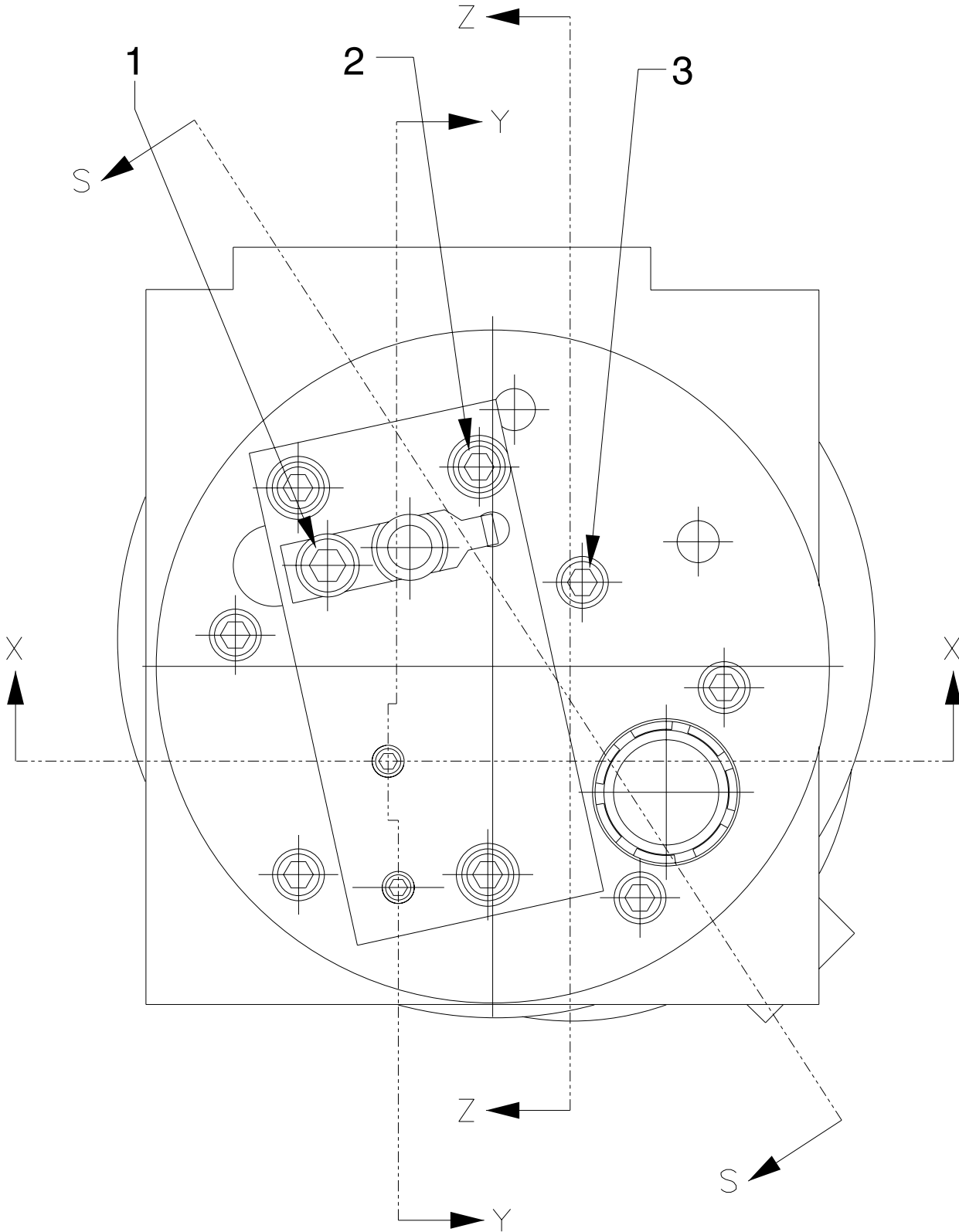


Grd

Note: Serrated lockwasher must be adjacent to pump body.

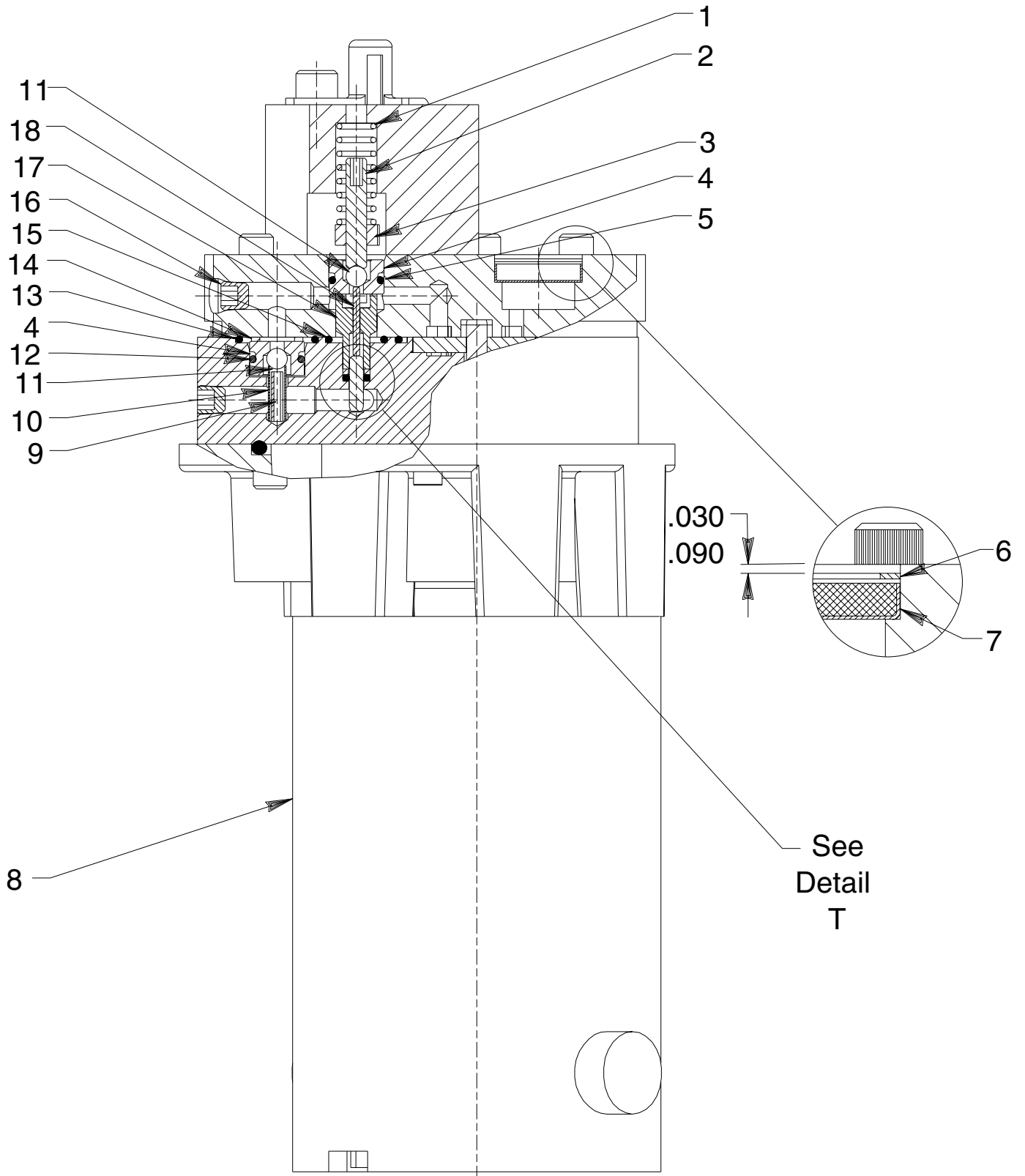
Item No.	Part No.	No. Req'd	Description
1	12515	1	Machine Screw (#10-24 UNC X 3/4 Lg.)
2	10197	2	Nut (#10-24 UNC)
3	11108	2	Lockwasher (#10 External Tooth)

BASIC PUMP ASSEMBLY



Item No.	Part No.	No. Req'd	Description
1	10002	1	Screw (1/4-20 UNC X 3/8 Lg.; Torque to 80/100 in. lbs.)
2	14423	3	Screw (#10-24 X 2" Lg.; Torque to 60/80 in. lbs.)
3	14426	5	Screw (#10-24 UNC X 1" Lg.; Torque to 60/80 in. lbs.)

SECTION X-X

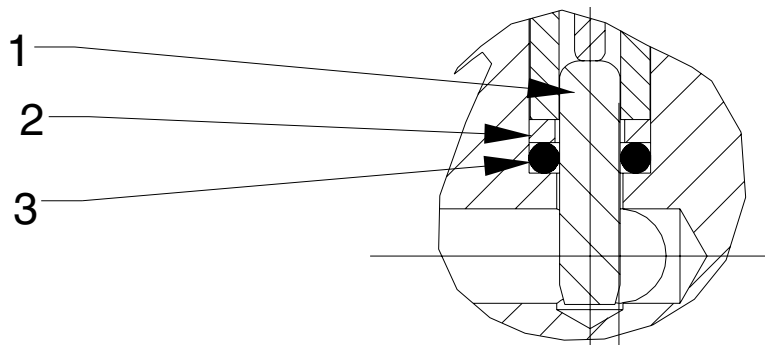


Parts List, Form No. 101324, Back sheet 3 of 6

Item No.	Part No.	No. Req'd	Description
1	*14484	1	Compression Spring (3/8 O.D. X 1" Lg.)
2	*251067	1	Set Screw (#10-24 UNC x 1" Lg. Set unloading valve to 400/500 PSI)
3	*207405	1	Locknut (10-24 UNC)
4	*251065	1	Replaceable Seat
5	*10268	1	O-ring (1/2 X 3/8 X 1/16)
	†17716	1	O-ring (1/2 X 3/8 X 1/16)
6	*16686	1	Retaining Ring (Internal)
7	*214578	1	Filter
8	420590-110	1	Motor (For PE102, PE102A, & PE104; For replacement brush assembly, order [2] #251114-110; For replacement bush cap, order [2] #251115)
	420590-220	1	Motor (For PE102-220, PE102A-220, & PE104-220; For replacement brush assembly, order [2] #251114-220) For replacement bush cap, order [2] #251115)
	420590-12	1	Motor (For PR102, PR102A, & PR104; For replacement brush assembly, order [2] #251114-12; For replacement bush cap, order [2] #251115-12)
9	11512	1	Roll Pin
10	*15141	1	Compression Spring (3/16 O.D. X 5/8 Lg.)
11	*12223	2	Ball (3/16 Dia.)
12	*13943	1	O-ring (1/2 X 3/8 X 1/16)
	†17716	1	O-ring (1/2 X 3/8 X 1/16)
13	*10302	1	O-ring (3/4 X 5/8 X 1/16)
	†12400	1	O-ring (3/4 X 5/8 X 1/16)
14	*11031	1	Copper Washer (15/32 X 5/16 X 1/32)
15	*12098	1	O-ring (9/16 X 7/16 x 1/16)
	†250136	1	O-ring (9/16 X 7/16 x 1/16)
16	15130	3	Plug (1/16 NPTF)
17	251068	1	Guide
18	13937	1	Dowel Pin

Part numbers marked with an asterisk (*) are contained in Repair Kit No. 300651.
Part numbers marked with a dagger (†) are contained in EPR Seal Kit No. 300653.

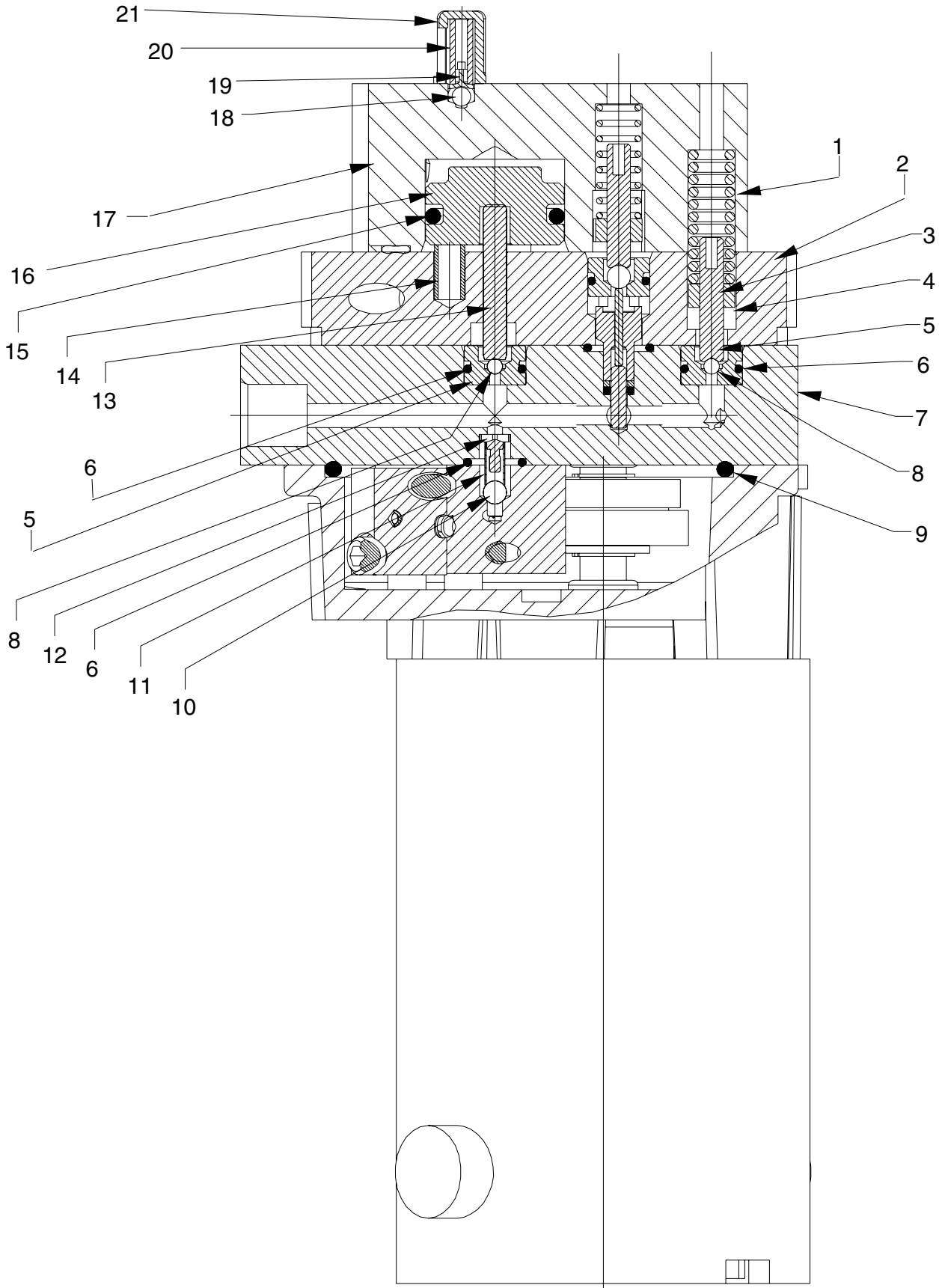
DETAIL T



Item No.	Part No.	No. Req'd	Description
1	10796	1	Dowel Pin
2	*214992	1	Backup Washer (15/64 x 1/8 x 3/64)
3	*17797	1	O-ring (1/4 X 1/8 X 1/16)
	†17713	1	O-ring (1/4 X 1/8 X 1/16)

Part numbers marked with an asterisk (*) are contained in Repair Kit No. 300651.
Part numbers marked with a dagger (†) are contained in EPR Seal Kit No. 300653.

SECTION Y-Y



Parts List, Form No. 101324, Back sheet 4 of 6

Item No.	Part No.	No. Req'd	Description
1	*16724	1	Compression Spring (3/8 O.D. x 1-1/4 Lg.)
2	***64347	1	End Plate
3	*251067	1	Set Screw (#10-24 UNC x 1" Lg.; Set High Pressure Relief Valve to 10,100/10,700 PSI)
4	*207405	1	Locknut (10-24 UNC)
5	*251064	2	Replaceable Seat
6	*13943	3	O-ring (1/2 X 3/8 X 1/16)
	†17716	3	O-ring (1/2 X 3/8 X 1/16)
7	***64346	1	Pump Body
8	*10418	2	Steel Ball (1/8 Dia.)
9	*10297	1	O-ring (3-1/2 X 3 -1/4 X 1/8)
	†13454	1	O-ring (3-1/2 X 3 -1/4 X 1/8)
10	*12223	1	Ball (3/16 Dia.)
11	*10445	1	Compression Spring (5/32 O.D. X 3/4 Lg.)
12	24549	1	Ball Guide
13	*251083	1	Dowel Pin
14	*11024	3	Compression Spring (1/4 O.D. X 5/8 Lg.)
15	*19029	1	O-ring (1-1/8 x 15/16 x 1/8)
	†251288	1	O-ring (1-1/8 x 15/16 x 1/8)
16	350619	1	Eccentric
17	420616	1	Automatic Valve Body
18	*10374	1	Steel Ball (7/32 Dia.)
19	200796	1	Adapter
20	*15691	1	Compression Spring (1/4 O.D. X 5/8 Lg.)
21	350577	1	Spring Retainer

Part numbers marked with an asterisk (*) are contained in Repair Kit No. 300651.
Part numbers marked with a dagger (†) are contained in EPR Seal Kit No. 300653.

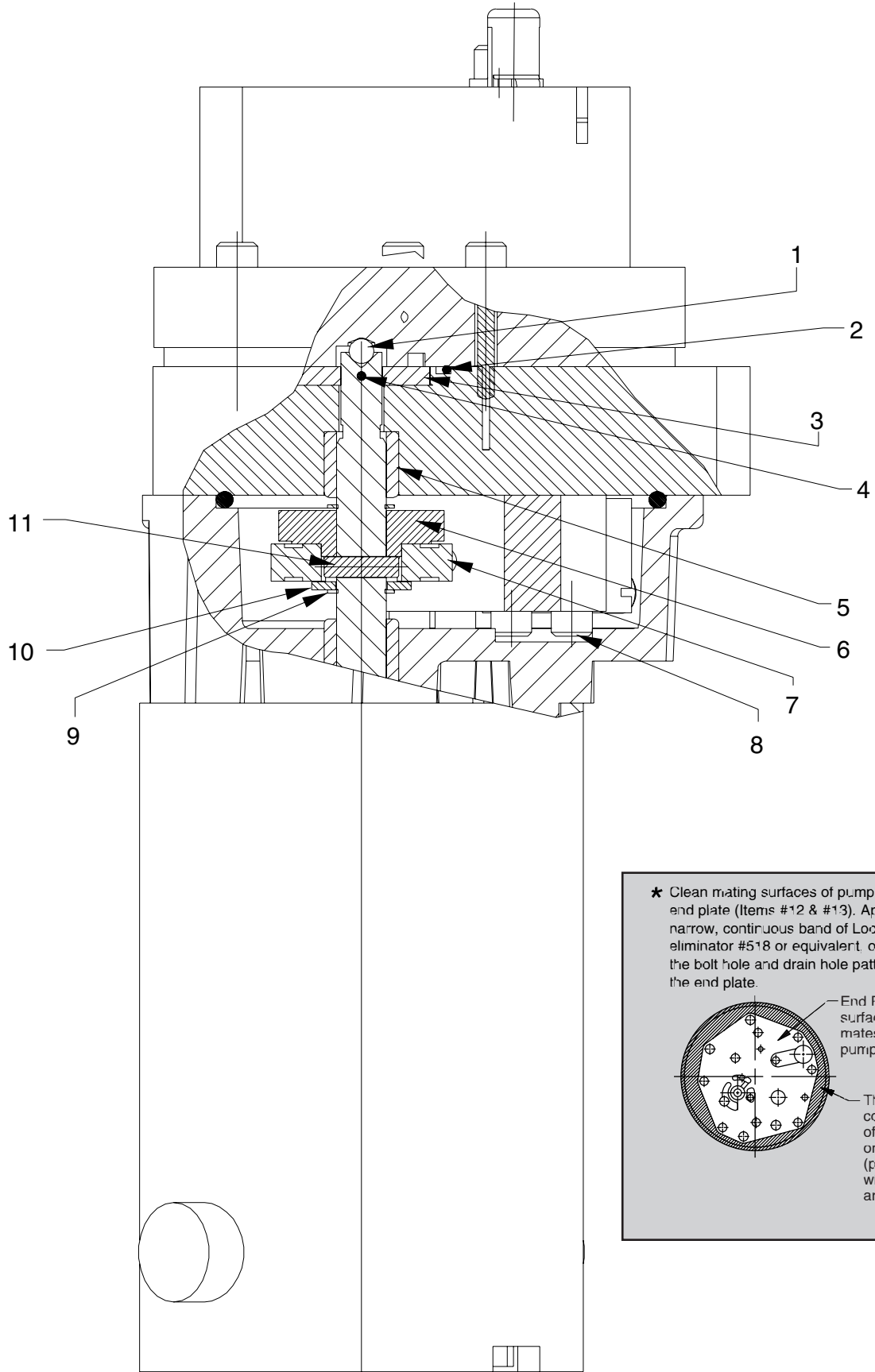
*****NOTE: On all pumps built prior to 10-1-93, both pump body #64346 and end plate #64347 must be replaced as a set.**

Refer to any operating instructions included with this product for detailed information about operation, testing, disassembly, reassembly, and preventive maintenance.

Items found in this parts list have been carefully tested and selected. **Therefore: Use only genuine Power Team replacement parts!**

Additional questions can be directed to our Technical Services Department.

SECTION Z-Z



★ Clean mating surfaces of pump body and end plate (Items #12 & #13). Apply a thin, narrow, continuous band of Loctite gasket eliminator #518 or equivalent, outside of the bolt hole and drain hole patterns on the end plate.

End Plate surface that mates with the pump body

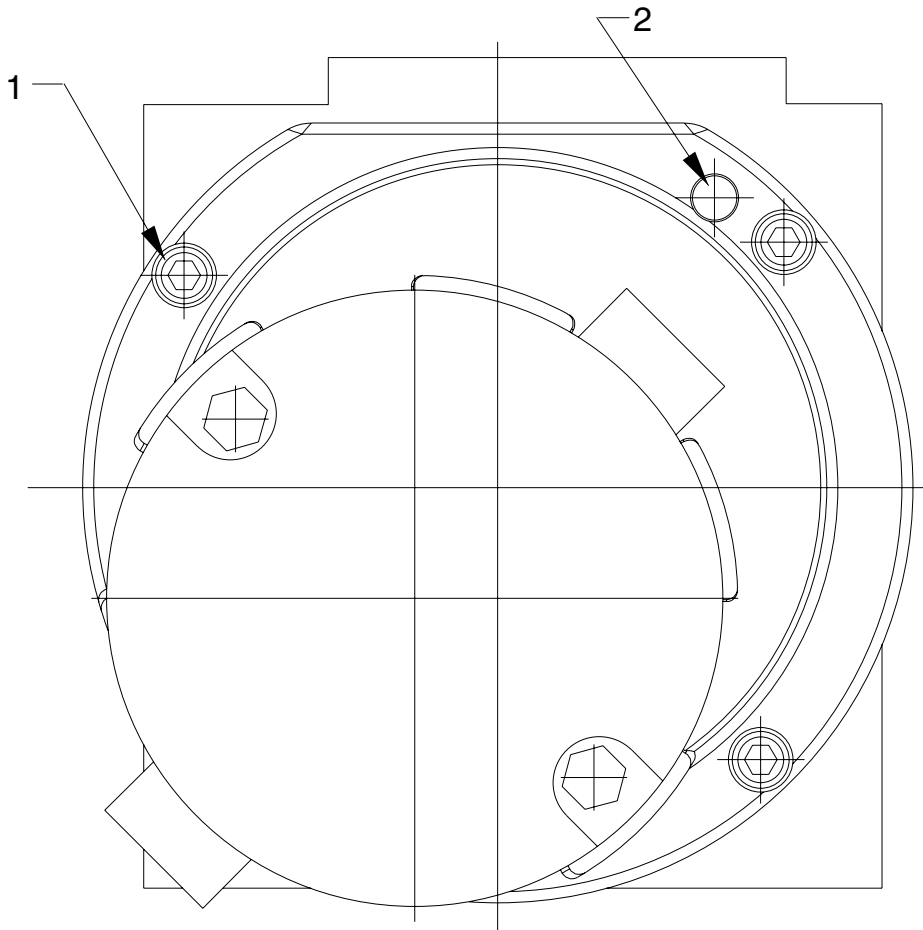
Thin, narrow continuous band of Loctite #518 or equivalent (permissible within shaded area.)

Note: Shaded areas reflect last revision(s) made to this form.

Item No.	Part No.	No. Req'd	Description
1	*12223	1	Ball (3/16 Dia.)
2	*251063	1	O-ring (1-7/16 x 1-5/16 x 1/16)
	†251289	1	O-ring (1-7/16 x 1-5/16 x 1/16)
3	420615	1	Gerotor Set
4	251061	1	Dowel Pin
5	251129	1	Needle Bearing
6	350606	1	Eccentric
7	15695	1	Ball Bearing
8	250491	4	Screw (10-24 UNC x 1-1/4 Lg.; Torque to 60/80 in. lbs.)
9	251069	2	Retaining Ring (Internal)
10	14968	1	Washer (25/64 X 3/4 X 1/16)
11	251117	1	Spring Pin

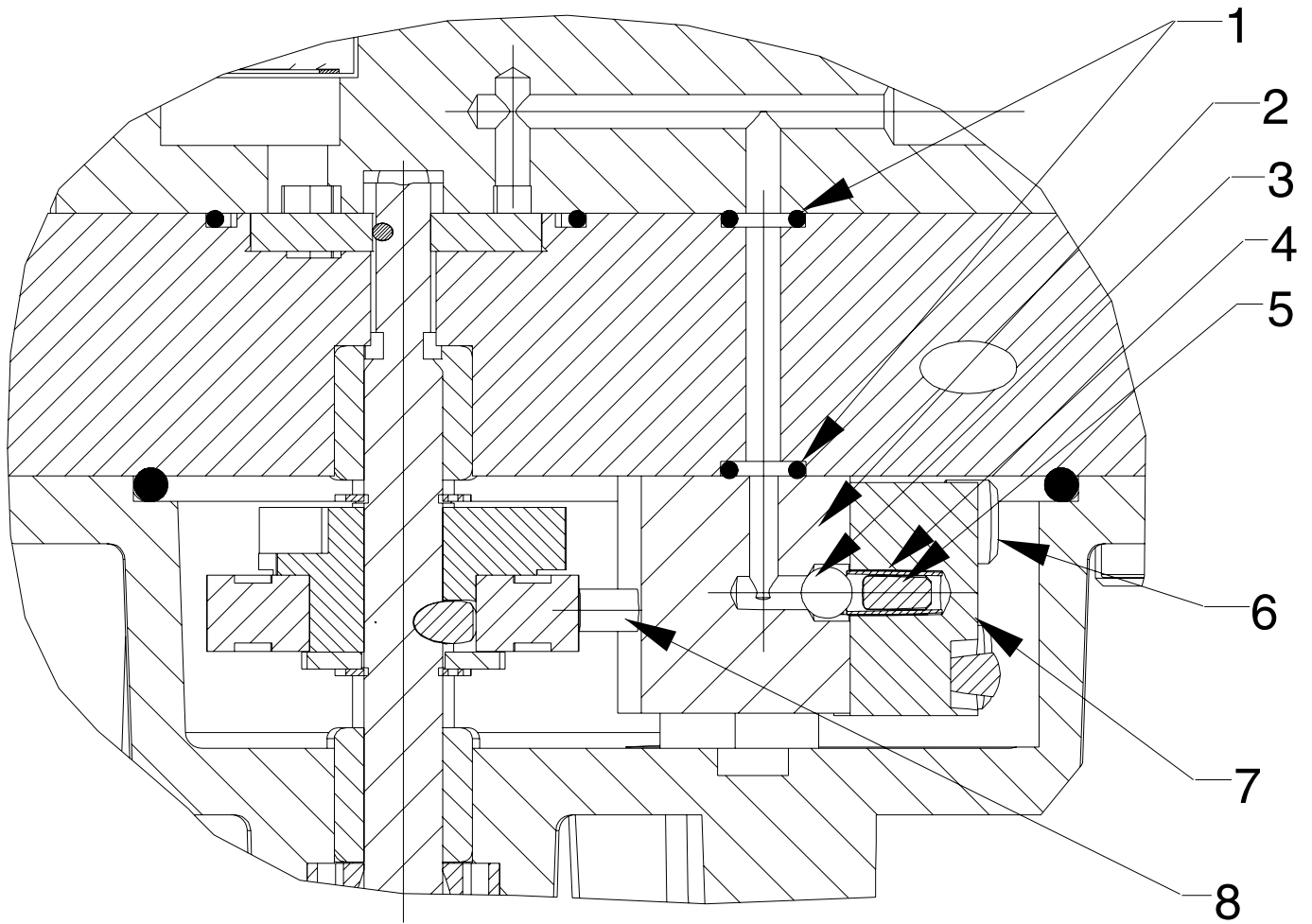
Part numbers marked with an asterisk (*) are contained in Repair Kit No. 300651.
 Part numbers marked with a dagger (†) are contained in EPR Seal Kit No. 300653.

MOTOR END VIEW



Item No.	Part No.	No. Req'd	Description
1	11434	3	Screw (10-24 UNC X 1/2 Lg.; Torque to 60/80 in. lbs.)
2	17567	2	Pin

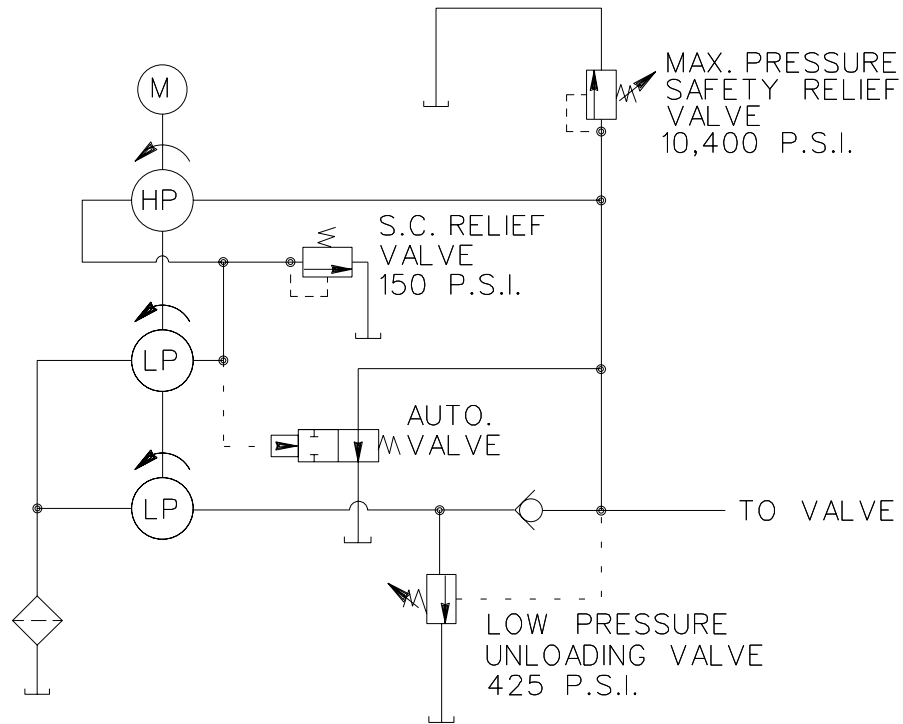
SECTION S-S



Item No.	Part No.	No. Req'd	Description
1	*10265	3	O-ring (5/16 X 3/16 X 1/16)
	†17714	3	O-ring (5/16 X 3/16 X 1/16)
2	420617	1	High Pressure Piston Body
3	*12223	1	Ball (3/16 Dia.)
4	*10445	1	Compression Spring (5/32 O.D. X 3/4 Lg.)
5	251040	1	Dowel Pin
6	12102	3	Screw (#10-24 UNC X 3/4 Lg.; Torque to 60/80 in. lbs.)
7	350620	1	High Pressure Cap Body
8	251062	1	Piston (Position with chamfer towards bearing.)

Part numbers marked with an asterisk (*) are contained in Repair Kit No. 300651.
 Part numbers marked with a dagger (†) are contained in EPR Seal Kit No. 300653.

HYDRAULIC SCHEMATIC



ELECTRICAL INFORMATION

Note: All electrical information and schematics for these units can be found in Form No. 102808 Operating Instructions.