

SPX Corporation
5885 11th Street
Rockford, IL 61109-3699 USA

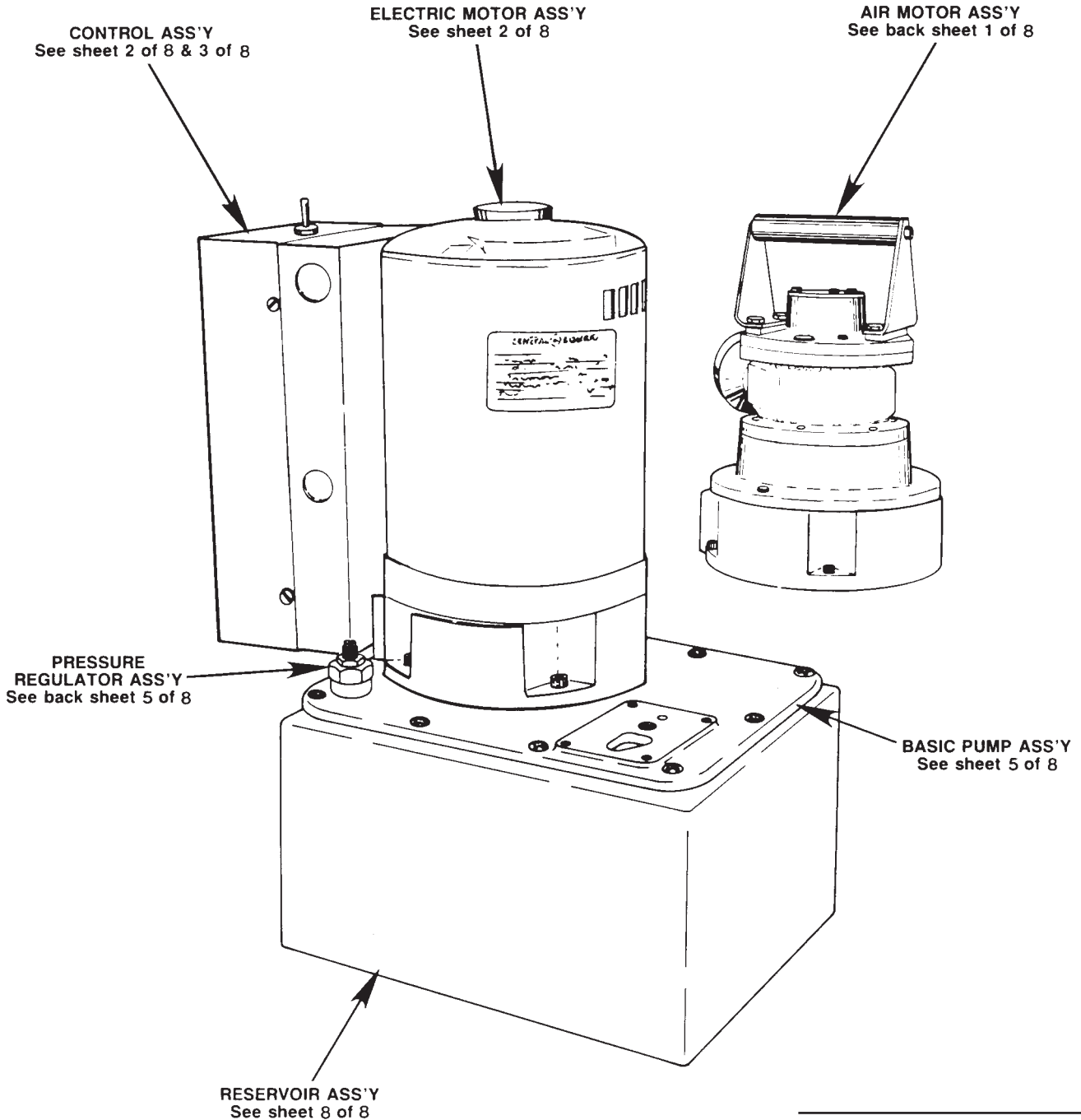
Internet Address:
<http://www.powerteam.com>
Tech. Services: (800) 477-8326
Fax: (800) 765-8326
Order Entry: (800) 541-1418
Fax: (800) 288-7031

SPX Corporation
655 Eisenhower Drive
Owatonna, MN 55060-0995 USA
Phone: (507) 455-7000
Tech. Services: (800) 533-6127
Fax: (800) 955-8329
Order Entry: (507) 455-1480
Fax: (800) 283-8665
International Sales: (507) 455-7223
Fax: (507) 455-7746

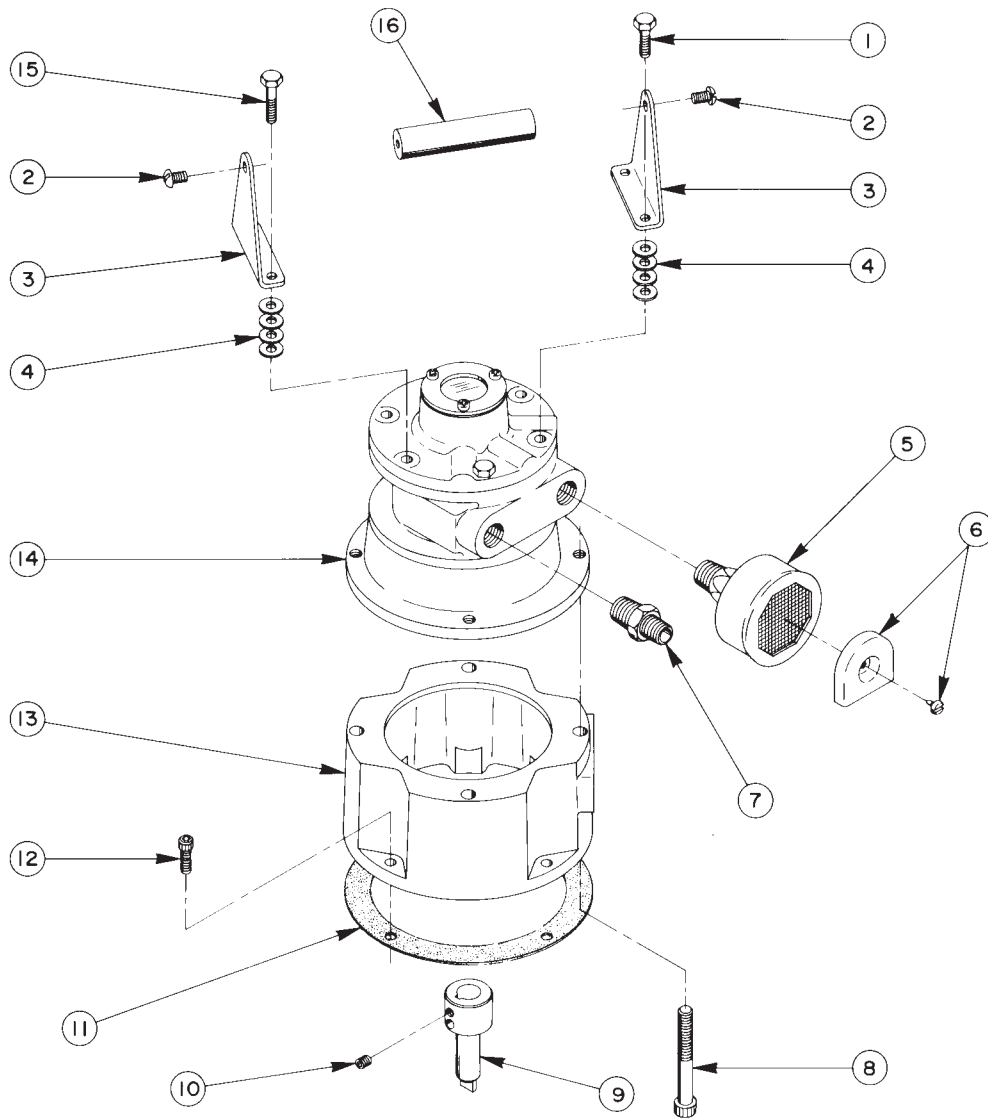
Parts List for:

PA55A4	PE55F	Y26F
PA550	PE90C-EPR	Y26L
PA554	PE90F	Y60D
PA90A	PE120M	Y60F
PE55C-LUAM	Y26C	Y70M

**MODEL B
HYDRAULIC PUMP
GENERAL SECTION**



AIR MOTOR ASSEMBLIES



Item No.	Part No.	No. Req'd	Description
1	10014	1	Cap Screw (1/4-28 UNF X 1" Lg.)
2	10174	2	Mach. Screw (1/4-20 UNC X 1/2 Lg.)
3	33808	2	Handle Bracket
4	12719	16	Washer (For 1/4 bolt)
5	13966	1	Muffer
6	205505	1	Deflector
7	14056	1	Reducing Nipple
8	17816	4	Cap Screw (3/8-16 UNC X 3" Lg.)
9	37842	1	Shaft Extension
10	10556	1	Set Screw (1/4-20 UNC X 1/4 Lg.)

Item No.	Part No.	No. Req'd	Description
11	30650	1	Gasket
12	10008	4	Cap Screw (1/4-20 UNC X 3/4 Lg.)
13	51158	1	Motor Base
14	*14717	1	Air Motor (PA55A4, PA554 & Y26L Series; See Form #16138)
15	10018	3	Cap Screw (1/4-28 UNF X 1-1/4 Lg.)
16	28158	1	Handle
	51159	1	Complete Air Motor Ass'y (Includes Items 1 thru 16)

* Note: For air motor repair kit, order #252100.

ELECTRIC MOTOR ASSEMBLY

Item No.	Part No.	No. Req'd	Description
1	--	1	Electric Motor (See chart below)
2	40118	1	Motor Base
3	30650	1	Gasket
4	10008	4	Cap Screw (1/4-20 UNC X 3/4 Lg.)
5	21274	1	Adapter
6	12866	4	Cap Screw (3/8-16 UNC X 2-1/4 Lg.)
7	--	1	Control Ass'y (See chart below)
8	27556	1	Motor Rotation Decal (Not Shown)

OPTIONAL REMOTE CONTROLS FOR ELECTRIC MOTORS

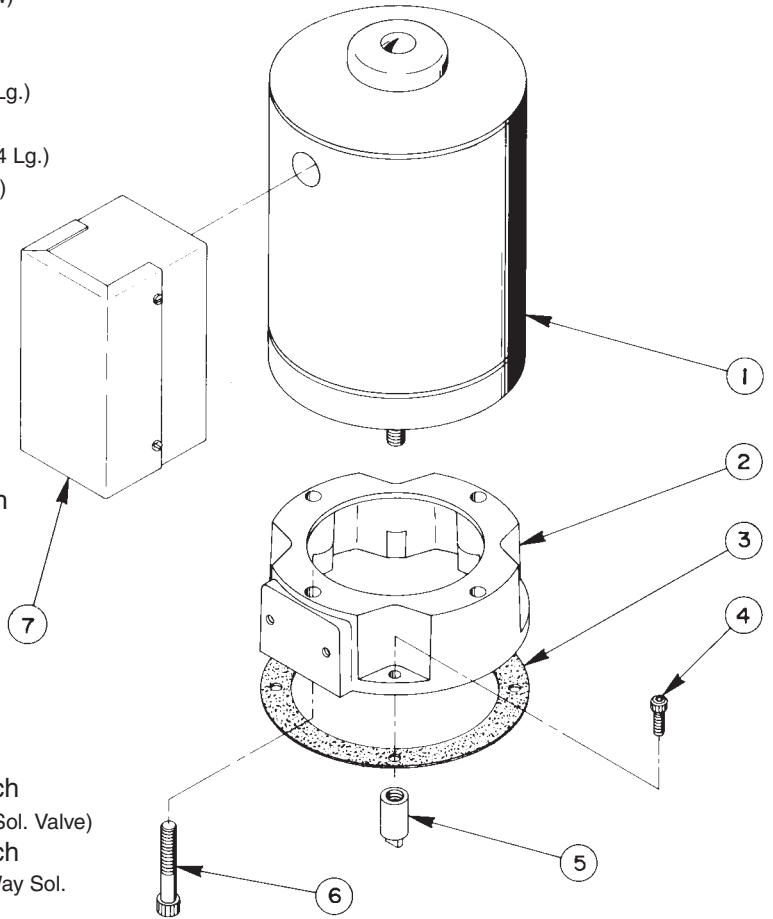
21283	1	Remote Control Hand Switch (On/Off)
203225	1	Remote Control Hand Switch (Rubber Heavy Duty)
21284	1	Remote Control Foot Switch

OPTIONAL REMOTE CONTROLS FOR AIR MOTORS

27876	1	Remote Hand Control
27877	1	Remote Foot Control

OPTIONAL REMOTE CONTROLS FOR SOLENOID VALVES

202777	1	Remote Control Hand Switch (Mom. On/Hold/Off; For 3-Way Sol. Valve)
202778	1	Remote Control Hand Switch (Mom. On/Off/Mom. On; For 4-Way Sol. Valve)
304718	1	Remote Control Hand Switch (Mom. On/Hold/Mom. Off)

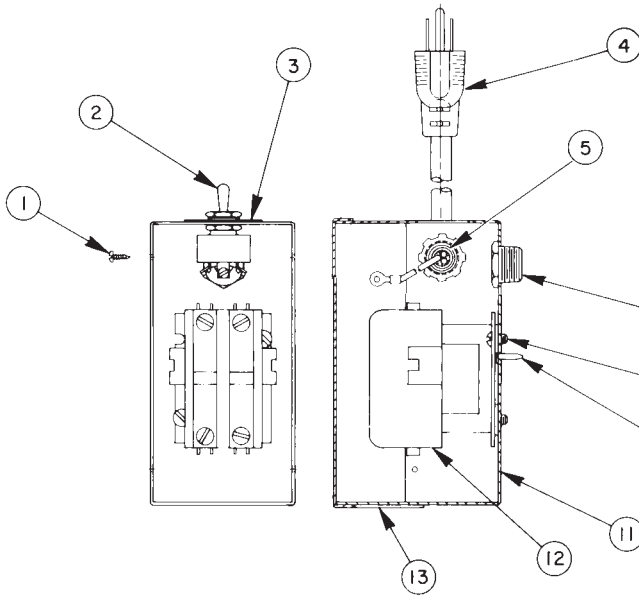


Series	Volts	Phase	H.P.	PSI	Replacement Motor & Control Ass'y (Items 1 thru 8)		Replacement Motor (Item 1 only)		Replacement Control Ass'y (Item 7 only)
					*Less Control Ass'y (#7)		60Hz	50Hz	
					60Hz	50Hz	60Hz	50Hz	
PE55C, Y26D	115	1	1 1/2	10,000	27072	27072-50	10865	10865	See sheet 3 of 8 See sheet 3 of 8 40165† (See back sheet 2 of 8)
PE55D, Y26D	230	1	1 1/2	10,000	27074	27074-50	10865	10865	
PE55F, Y26F	230/460	3	1 1/2	10,000	40122	40122-50	10433	13974	
PE90C, Y60D	115	1	1 1/2	5,000	27072	27072-50	10865	10865	See sheet 3 of 8 See sheet 3 of 8 40165† (See back sheet 2 of 8)
PE90D, Y60D	230	1	1 1/2	5,000	27074	27074-50	10865	10865	
PE90F, Y60F	230/460	3	1 1/2	5,000	40122*	40122-50*	10433	13974	
PE120M, Y70M	230/460	3	3	10,000	41318*	41318-50*	13865	15596	41301† (See back sheet 3 of 8) 61221 (See back sheet 3 of 8)
	230/460	3	1-1/2 & 3						

†Repair parts are still available for old style control boxes. Pump units built at the factory after April 1986 will have new style 61221 control box.

CONTROL ASSEMBLY

115 & 230 Volt, 50/60 Hz., Single Phase



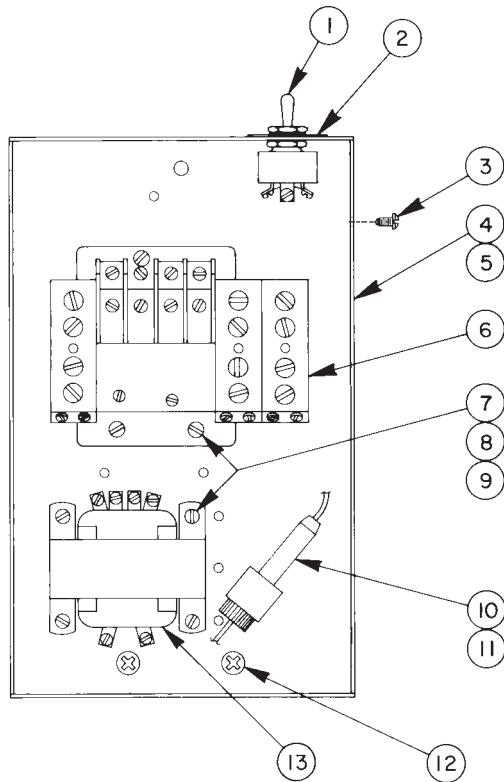
Item No.	Part No.	No. Req'd	Description
1	11141	4	Screw (#6-20 X 3/8 Lg.)
2	12175	1	Switch (On/Off/Jog)
3	25926	1	Indicator Plate
4	307440	1	Cord & Plug (115 V.)
	308752	1	Cord only (230 V.)
5	11208	1	Relief Bushing
7	11202	1	Nipple Elect. Connector
8	10166	2	Machine Screw (#10-24 X 1/2 Lg.)
9	11051	1	Self-Tapping Screw (#8-18 X 1/2 Lg.)
10	11108	1	Lockwasher (#10 External Tooth)
11	40442GY5	1	Control Box
12	420718-1	1	Contactator (For PE55C & PE90C)
	420718-2	1	Contactator (For PE55D & PE90D)
13	31263GY5	1	Control Box Cover

(Note: This control assembly information also pertains to PE55C, PE90C, PE55D & PE90D built before Aug. 1, 1990.)

***40165 CONTROL ASSEMBLY**

230-460 V. Prim./110 V. Sec.

50/60 Hz., 3 Phase

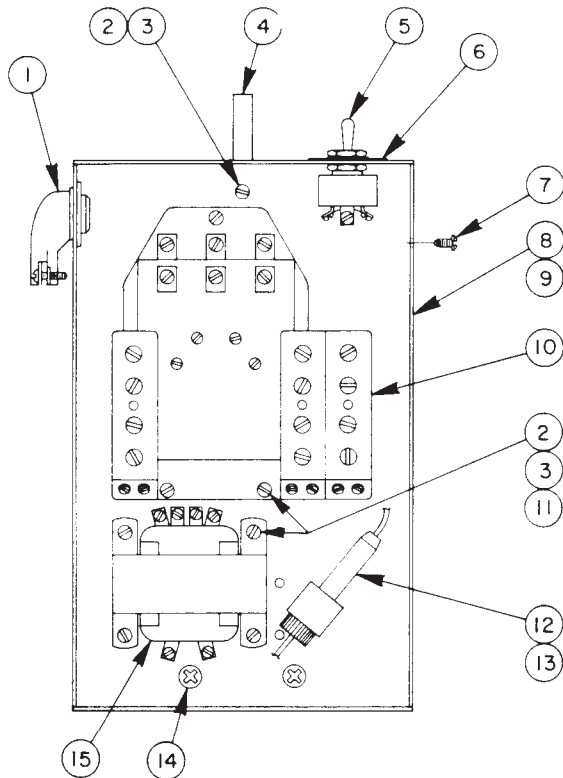


Item No.	Part No.	No. Req'd	Description
1	12175	1	Switch (On/Off/Jog)
2	25926	1	Indicator Plate
3	14812	4	Self-Tapping Screw (#8-18 X 3/8 Lg.)
4	50647GY5	1	Control Box
5	41723GY5	1	Control Box Cover
6	14964-1	1	Electrical Starter
7	10447	7	Machine Screw (#8-32 UNC X 5/16 Lg.)
8	10196	6	Hex Nut (#8-32 UNC)
9	10240	7	Lockwasher (For #8 bolt)
10	16888	1	Electrical Fuse
11	16887	1	Fuse Holder
12	10177	2	Machine Screw (1/4-20 UNC X 3/4 Lg.)
13	10867	1	Transformer (230-460/110 V., 50/60 Hz.)

PARTS INCLUDED BUT NOT SHOWN

10159	1	Machine Screw (6-32 UNC X 5/16" Lg.)
11144	2	90° Elbow Elect. Connector
11627	2-1/4 ft.	Electrical Cable
22712	1	Mounting Bracket
200188	1	Warning Decal
13322-23	3	Overload Heater Element (230 V.)
13322-16	3	Overload Heater Element (460 V.)

*NOTE: This style of control box was built at the factory prior to April 1986. Repair parts are still available.



***41301 CONTROL ASSEMBLY**

230-460 V. Prim./110 V. Sec.
50/60 Hz., 3 Phase

Item No.	Part No.	No. Req'd	Description
1	11144	2	90° Elbow Elect. Connector
2	10447	7	Machine Screw (#8-32 UNC X 5/16 Lg.)
3	10240	7	Lockwasher (For #8 bolt)
4	28599	1	Mounting Bracket
5	12175	1	Switch (On/Off/Jog)
6	25926	1	Indicator Plate
7	14812	4	Self-Tapping Screw
8	50647GY5	1	Control Box
9	41723GY5	1	Control Box Cover
10	14963-1	1	Electrical Starter
11	10196	6	Hex Nut (#8-32 UNC)
12	16887	1	Fuse Holder
13	16888	1	Electrical Fuse
14	10177	2	Machine Screw (1/4-32 UNC X 3/4 Lg.)
15	10867	1	Transformer (230-460/110V., 50/60 Hz.)

PARTS INCLUDED BUT NOT SHOWN

10159	1	Machine Screw (6-32 UNC X 5/16" Lg.)
11627	2-1/4 Ft.	Electrical Cable
200188	1	Warning Decal
13322-29	3	Overload Heater Element (230 V.)
13322-22	3	Overload Heater Element (460 V.)

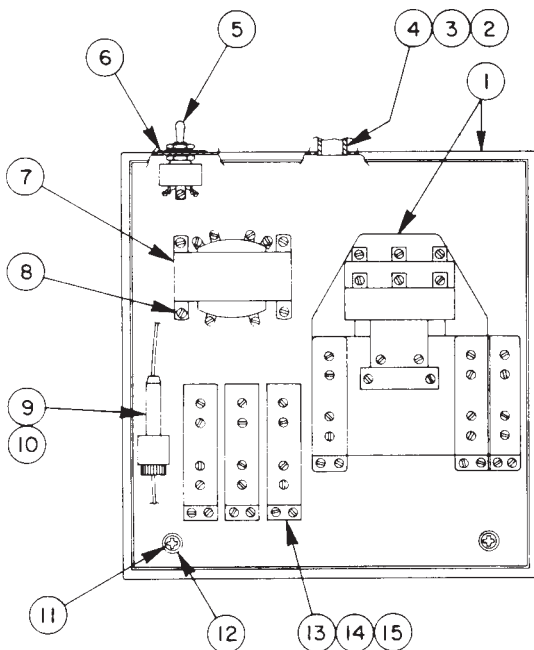
***NOTE:** This style of control box was built at the factory prior to April 1986. Repair parts are still available.

***NOTE:** This style of control box was built at the factory prior to April 1986. Repair parts are still available.

***40496 CONTROL ASSEMBLY**

230-460 V. Prim./110 V. Sec.
50/60 Hz., 3 Phase

Used with "FT" & "MT" Series only



Item No.	Part No.	No. Req'd	Description
1	40499	1	Starter & Control Box
2	11627	6 Ft.	Electrical Cable
3	11332	1	90° Elbow Connector
4	11203	2	Electrical Connector
5	12175	1	Switch (On/Off/Jog)
6	25926	1	Indicator Plate
7	10867	1	Transformer (230-460/110V., 50/60 Hz.)
8	10164	4	Machine Screw (#10-24 UNC X 3/8 Lg.)
9	16888	1	Electrical Fuse
10	16887	1	Fuse Holder
11	10177	2	Machine Screw (1/4-20 UNC X 3/4 Lg.)
12	10228	2	Wrought Washer
13	11641	3	Overload Relay
14	10447	6	Machine Screw (#8-32 UNC X 5/16 Lg.)
15	10196	6	Hex Nut (#8-32 UNC)

PARTS INCLUDED BUT NOT SHOWN

10159	2	Machine Screw (#6-32 UNC X 5/16 Lg.)
11334	2	Snap Plug
200188	1	Warning Decal
13322-23	3	Overload Heater Element ("FT" Series, 1-1/2 H.P., 230 V.)
13322-16	3	Overload Heater Element ("FT" Series, 1-1/2 H.P., 460 V.)
13322-31	3	Overload Heater Element ("MT" Series, 3 H.P., 230 V.)
13322-24	3	Overload Heater Element ("MT" Series, 3 H.P., 460 V.)

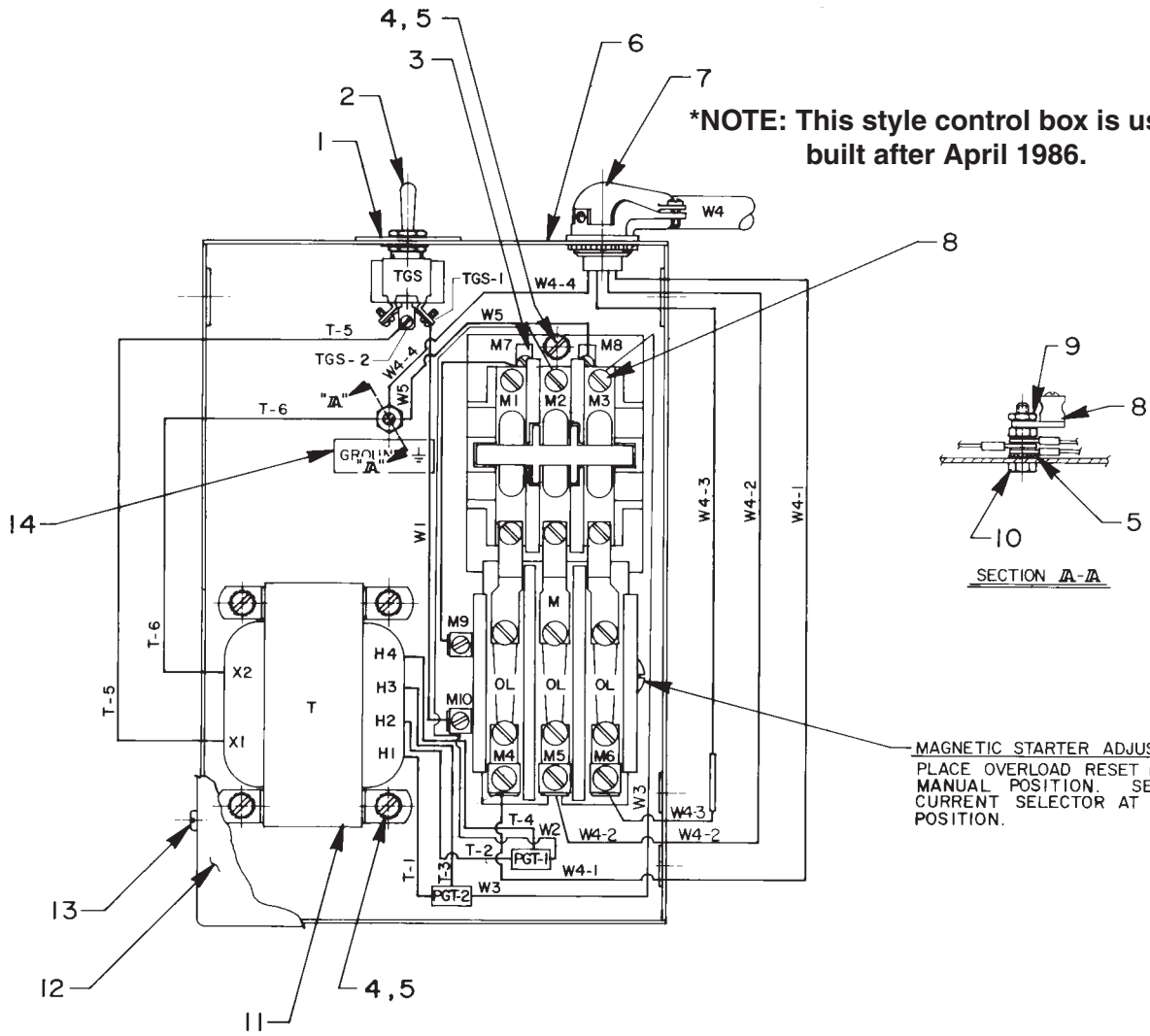
Sheet No. 3 of 8

Rev. 5 Date: 19 July 2000

***61221 CONTROL ASSEMBLY**

230-460 V. Prim./24 V. Sec.

50/60 Hz., 3 Phase



***NOTE: This style control box is used on units built after April 1986.**

Item No.	Part No.	No. Req'd	Description
----------	----------	-----------	-------------

1	25926	1	Indicator Plate
2	12175	1	Switch
3	16639-4	1	Starter Relay
4	10164	6	Mach. Screw (#10-24 UNC X 3/8 Lg.)
5	11108	7	Lockwasher (#10 External Tooth)
6	61220GY5	1	Control Box
7	11144	2	Elect. Connector (90° Elbow)
8	205420	4	Lug Connector
9	10197	2	Nut (#10-24 UNC)
10	104484	1	Mach. Screw (#10-24 UNC X 3/4 Lg.)
11	39693	1	Transformer
12	52357GY5	1	Cover
13	14812	4	Self-Tapping Screw (#8-18 X 3/8 Lg.)
14	205189	1	Ground Decal

PARTS INCLUDED BUT NOT SHOWN

10177	2	Mach. Screw (1/4-20 UNC)
11351	2	Lockwasher (1/4)
10447	1	Mach. Screw (#8-32 UNC)

Item No.	Part No.	No. Req'd	Description
----------	----------	-----------	-------------

	11388	1	Lockwasher (#8 I.D.)
	15468	1	Screw (#6-32 X 3/8 Lg.)
	12413	1	Electric Cable (14/4)
	200188	1	Warning Decal
	210442	1	Mfg. Bracket
	16641-33	3	Overload Heater Element (1-1/2 H.P., 440 V.)
	16641-36	3	Overload Heater Element (1-1/2 H.P., 460 V.)
	16641-42	3	Overload Heater Element (1-1/2 H.P., 208/220 V.)
	16641-44	3	Overload Heater Element (3 H.P., 380/460 V.)
	16641-47	3	Overload Heater Element (1-1/2 H.P., 230 V.)
	16641-52	3	Overload Heater Element (3 H.P., 220 V.)
	16641-54	3	Overload Heater Element (3 H.P., 230 V.)

ELECTRICAL SCHEMATICS - SINGLE PHASE UNITS

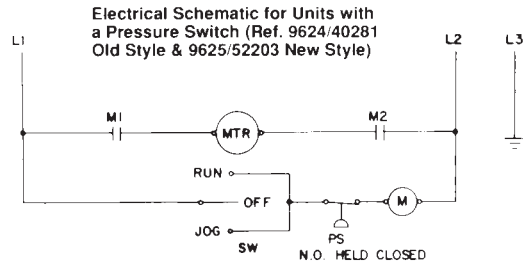
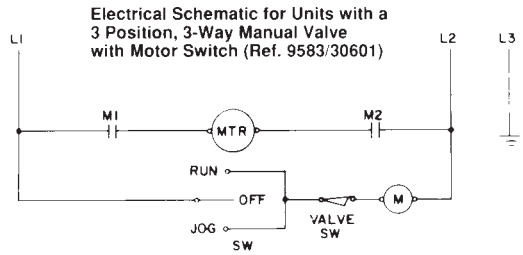
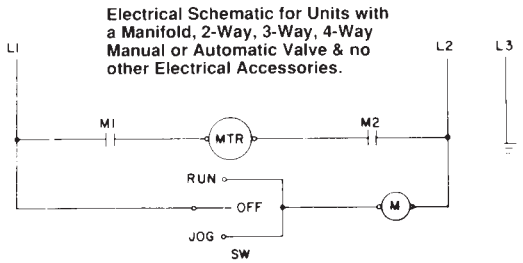
NOTE: These schematics are only for standard pumps. Special applications may require different schematics that are not shown here.

WARNING

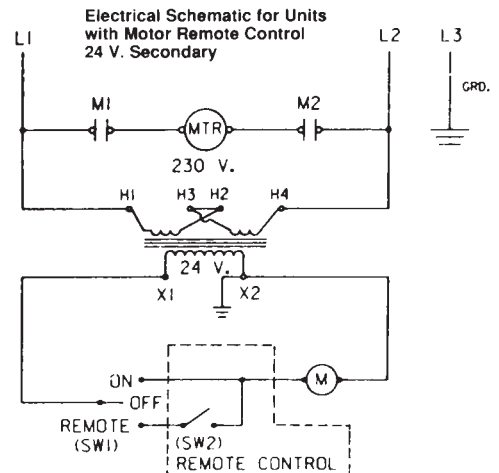
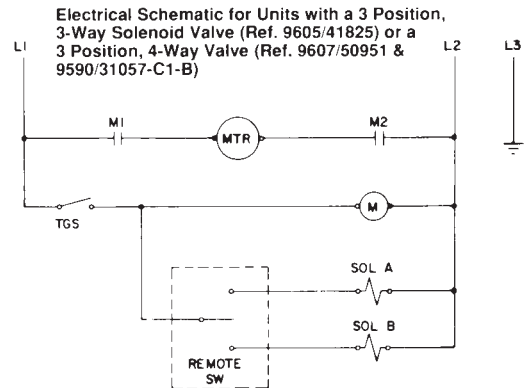
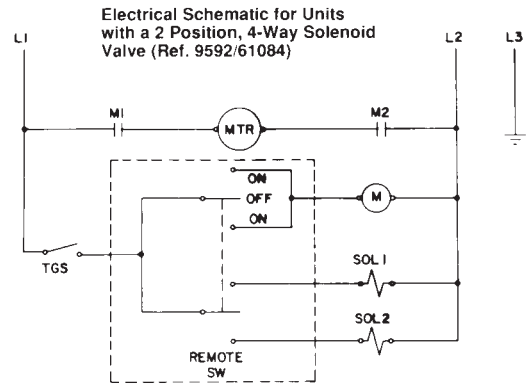
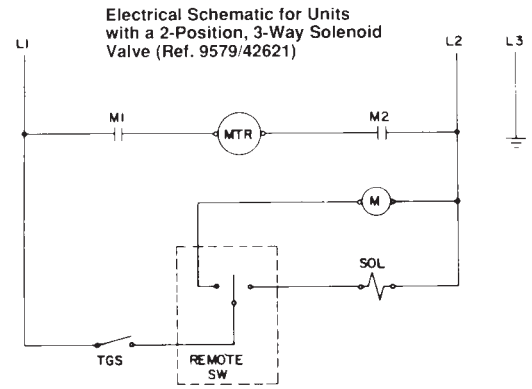
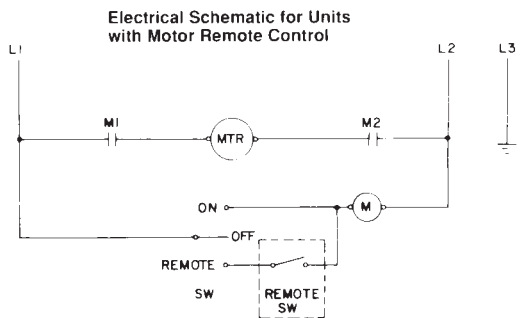
To help avoid personal injury, all electrical work must be done by a qualified electrician.

North American & International Color Codes:

Conductors	North American	International
Line	Black	Brown
Neutral	White	Blue
Ground	Green	Green/Yellow

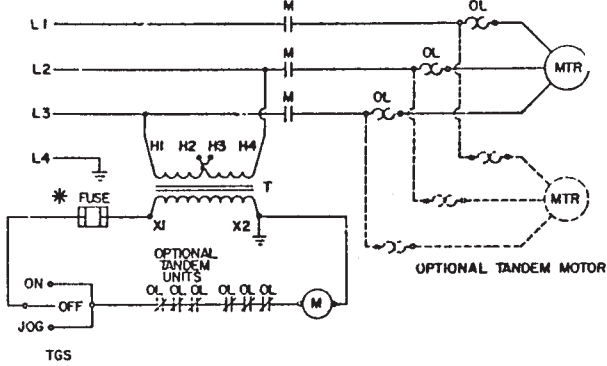


NOTE: REGARDLESS OF CIRCUIT DESIGN, PRESSURE SWITCH MUST BE INSTALLED SO THAT MOTOR WILL SHUT OFF WHEN PRESSURE SETTING IS OBTAINED.



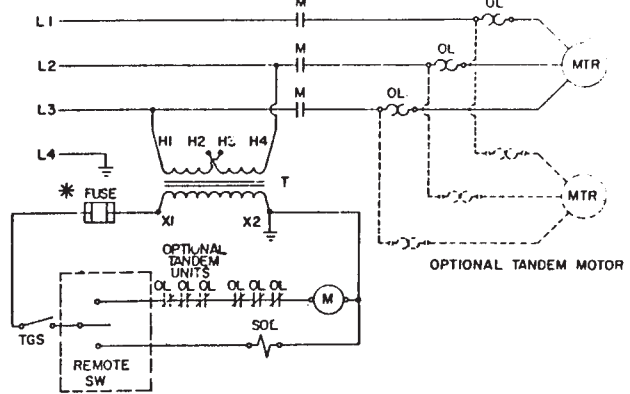
ELECTRICAL SCHEMATICS - THREE PHASE UNITS

ELECTRICAL SCHEMATIC FOR UNITS WITH A MANIFOLD, 2-WAY, 3-WAY, 4-WAY MANUAL OR AUTOMATIC VALVE AND NO OTHER ELECTRICAL ACCESSORIES.

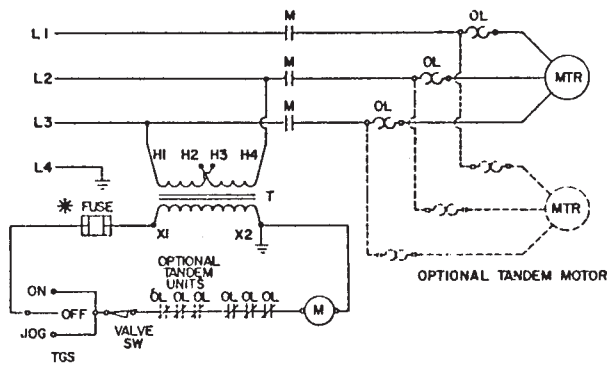


NOTE: These schematics are only for standard pumps. Special applications may require different schematics that are not shown here.

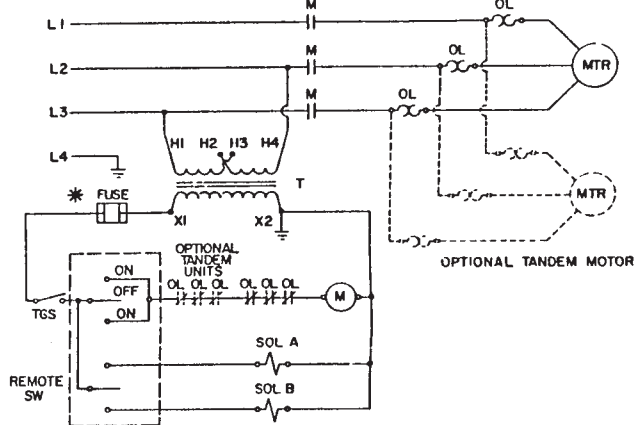
ELECTRICAL SCHEMATIC FOR UNITS WITH A 2 POSITION, 3-WAY SOLENOID VALVE REF (9579/42621, 115 V.), (9569/46365, 24 V.)



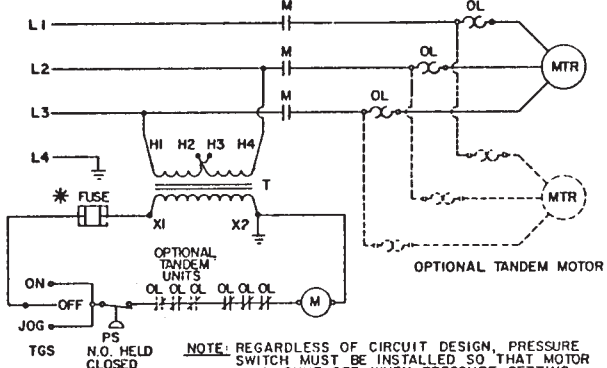
ELECTRICAL SCHEMATIC FOR UNITS WITH A 3 POSITION 3-WAY MANUAL VALVE WITH MOTOR SWITCH REF. (9583/30601)



ELECTRICAL SCHEMATIC FOR UNITS WITH A 2 POSITION, 4-WAY SOLENOID VALVE REF (9592/61084, 115 V.), (9572/61408, 24 V.)

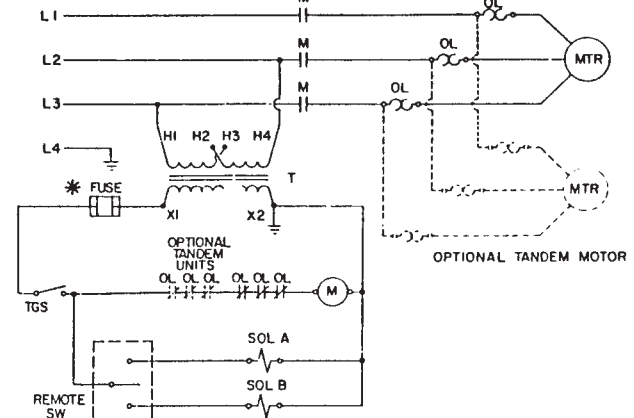


ELECTRICAL SCHEMATIC FOR UNITS WITH A PRESSURE SWITCH REF. (9624/40281, 115 V.), (9625/52203, 24 V.)

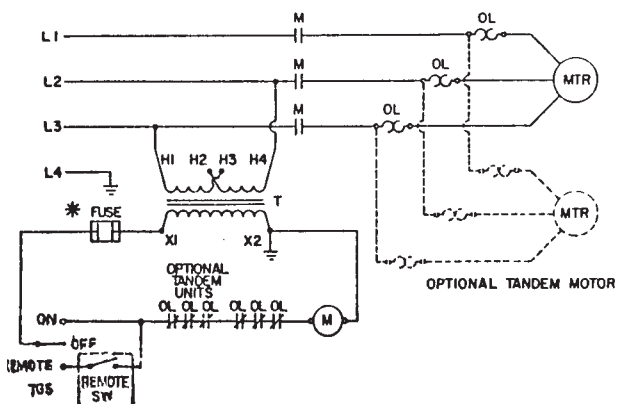


NOTE: REGARDLESS OF CIRCUIT DESIGN, PRESSURE SWITCH MUST BE INSTALLED SO THAT MOTOR WILL SHUT OFF WHEN PRESSURE SETTING IS OBTAINED.

ELECTRICAL SCHEMATIC FOR UNITS WITH A 3 POSITION: 3-WAY SOLENOID VALVE REF (9605/41825, 115 V.), (9599/41825, 24 V.) 4-WAY SOLENOID VALVE REF (9590/31057-CI-B, 115 V.), (9615/31057, 24 V.) OPEN 4-WAY SOLENOID VALVE REF. (9607/50951, 115 V.), (9601/50951, 24 V.) TANDEM

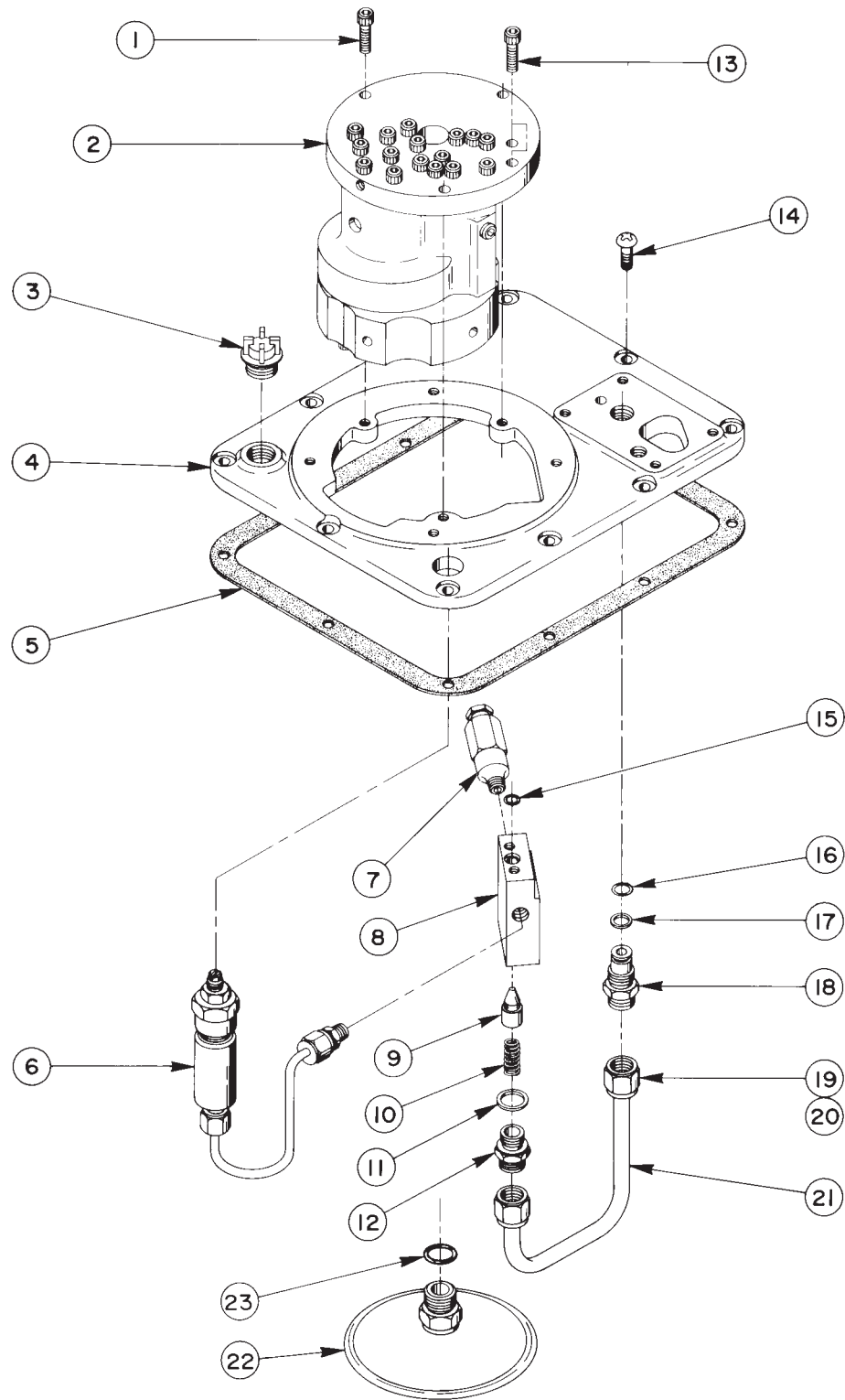


ELECTRICAL SCHEMATIC FOR UNITS WITH MOTOR REMOTE CONTROL



* NOT REQUIRED ON 24V SECONDARY CIRCUITS.

GENERAL PUMP ASSEMBLY



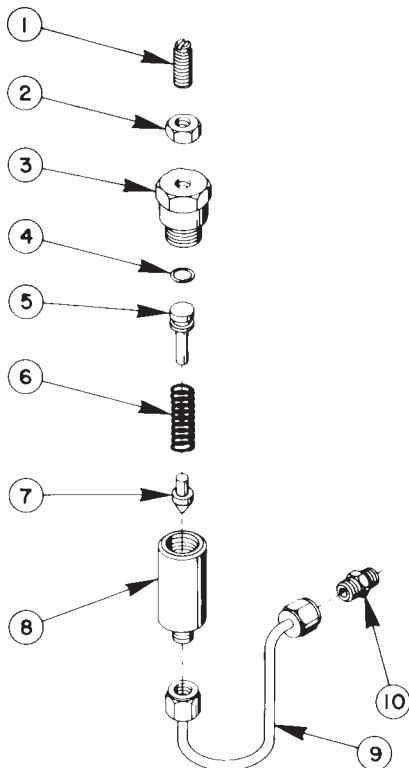
Parts List, Form No. 100519, Back sheet 5 of 8

Item No.	Part No.	No. Req'd	Description	Item No.	Part No.	No. Req'd	Description
1	10016	3	Soc. Hd. Cap Screw (1/4-20 UNC X 1" Lg.)	9	20771	1	Poppet
2	*27206	1	Basic Pump Ass'y Replacement (See chart below)	10	10425	1	Compression Spring (3/8 O.D. X 3/4 Lg.)
	*28349	1	Basic Pump Ass'y Replacement (See chart below)	11	10261	1	Copper Washer (3/4 X 19/32 X 1/32)
	*28354	1	Basic Pump Ass'y Replacement (See chart below; has Aluminum Coupling in place of Nylon)	12	20770	1	Connector (Torque to 40/45 ft. lbs.)
3	20937	1	Filler Plug	13	10015	2	Soc. Hd. Cap Screw (1/4-28 UNF X 1" Lg.; Torque to 180 in. lbs.)
4	40064WH2	1	Cover	14	10177	10	Mach. Screw (1/4-20 UNC X 3/4 Lg.)
5	40164	1	Gasket	15	10266	1	O-ring (3/8 X 1/4 X 1/16)
6	22360	1	Pressure Regulator Ass'y (See below)	16	10268	1	O-ring (1/2 X 3/8 X 1/16)
7	21278	1	Relief Valve (Set at 10,100/10,700 PSI)	17	11863	1	Teflon Backup Washer (1/2 X 3/8 X 1/16)
	21278-50	1	Relief Valve (Set at 5,100/5,700 PSI)	18	20787	1	Valve Connector
8	20776	1	Valve Body	19	10430	2	Tube Sleeve
				20	10431	2	Tube Nut
				21	21045	1	Oil Line
				22	21345	1	Filter Ass'y (Includes Item 23)
				23	10527	1	O-ring (13/16 X .644 X .087)

*Includes all items on sheet 6 of 8 and items 1, 7, 8, 9, 10, 11, 12, 13, 15 & 22 on this sheet.

BASIC PUMP REPLACEMENT CHART Low Speed (3,450 RPM)

SERIES	MAX. PSI	BASIC PUMP & COVER PLATE ASS'Y	BASIC PUMP REPLACEMENT	HIGH PRESSURE PUMP ASS'Y USED	NO. OF PISTONS
PA550, PA554, PA55A4, PE55C, PE55D, PE55F, Y26D, Y26F, Y26L	10,000	50404	27206*	33113	3
PA90A, PE90C, PE90D, PE90F, Y60D, Y60F	5,000	50406	28349*	33114	6
PE120M, Y70M	10,000	50493	28354*	33114	6



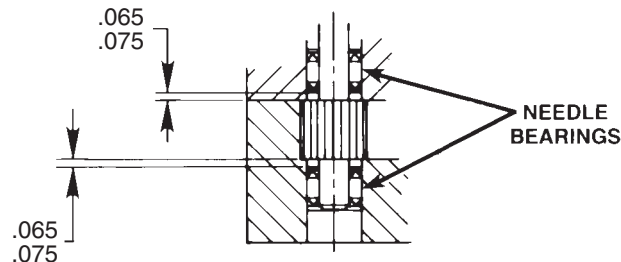
PRESSURE REGULATOR ASSEMBLY

Item No.	Part No.	No. Req'd	Description
1	22362	1	Adjusting Screw
2	10386	1	Hex Jam Nut (3/8-24 UNF)
3	21305	1	Valve Cap
4	10268	1	O-ring (1/2 X 3/8 X 1/16)
5	21306	1	Spring Guide
6	10495	1	Compression Spring
7	21046	1	Valve Stem
8	22361	1	Body
9	29267	1	Oil Line Ass'y (With nuts)
10	14844	1	Connector Fitting

Parts List, Form No. 100519, Back sheet 6 of 8

Item No.	Part No.	No. Req'd	Description
1	10020	9	Soc. Hd. Cap Screw (1/4-20 UNC X 1-1/4" Lg.; Torque to 170-180 in. lbs.)
2	33113	1	High Pressure Pump Ass'y (See sheet 7 of 8 & chart on back of sheet 4 of 8)
	33114	1	High Pressure Pump Ass'y (See sheet 7 of 8 & chart on back of sheet 4 of 8)
3	10361	1	Compression Spring (1/4 O.D. X 1" Lg.)
4	10375	1	Steel Ball (1/4" Dia.)
5	23547	1	Bearing Top Plate
6	23548	1	Top Plate
7	11228	2	Thrust Bearing
8	11813	3	Bearing Race
9	11814	1	Ball Bearing
10	23549	1	Angle Plate
11	11955	1	Roll Pin
12	11064	2	Needle Bearing
13	11261	2	Retaining Ring
14	23556	1	Shaft
15	11821	1	Woodruff Key
16	23557	1	Gear
17	30533	1	Pump End Plate
18	10001	12	Soc. Hd. Cap Screw (#10-32 UNF X 1-3/4 Lg.; Torque to 50 in. lbs.)
19	251206	1	Aluminum Coupling
22	11199	2	Needle Thrust Bearing (See note below)
23	10266	1	O-ring (3/8 X 1/4 X 1/16)
24	21272	1	Drive Gear
25	10303	1	O-ring (7/8 X 3/4 X 1/16)
26	10425	2	Compression Spring (3/8 O.D. X 3/4 Lg.)
27	20771	2	Poppet
28	40120	1	Pump Body
29	10427	1	Pipe Plug (1/8" NPTF)
30	10271	1	O-ring (11/16 X 1/2 X 3/32)
31	12389	1	Teflon Backup Washer (11/16 X 1/2 X 1/16)
32	20849	1	Spool
33	23255	1	Spring Guide
34	10426	1	Compression Spring (1" O.D. X 1-13/16 Lg.)
35	23256	1	Spring Guide

NEEDLE BEARING INSTALLATION SPECIFICATIONS

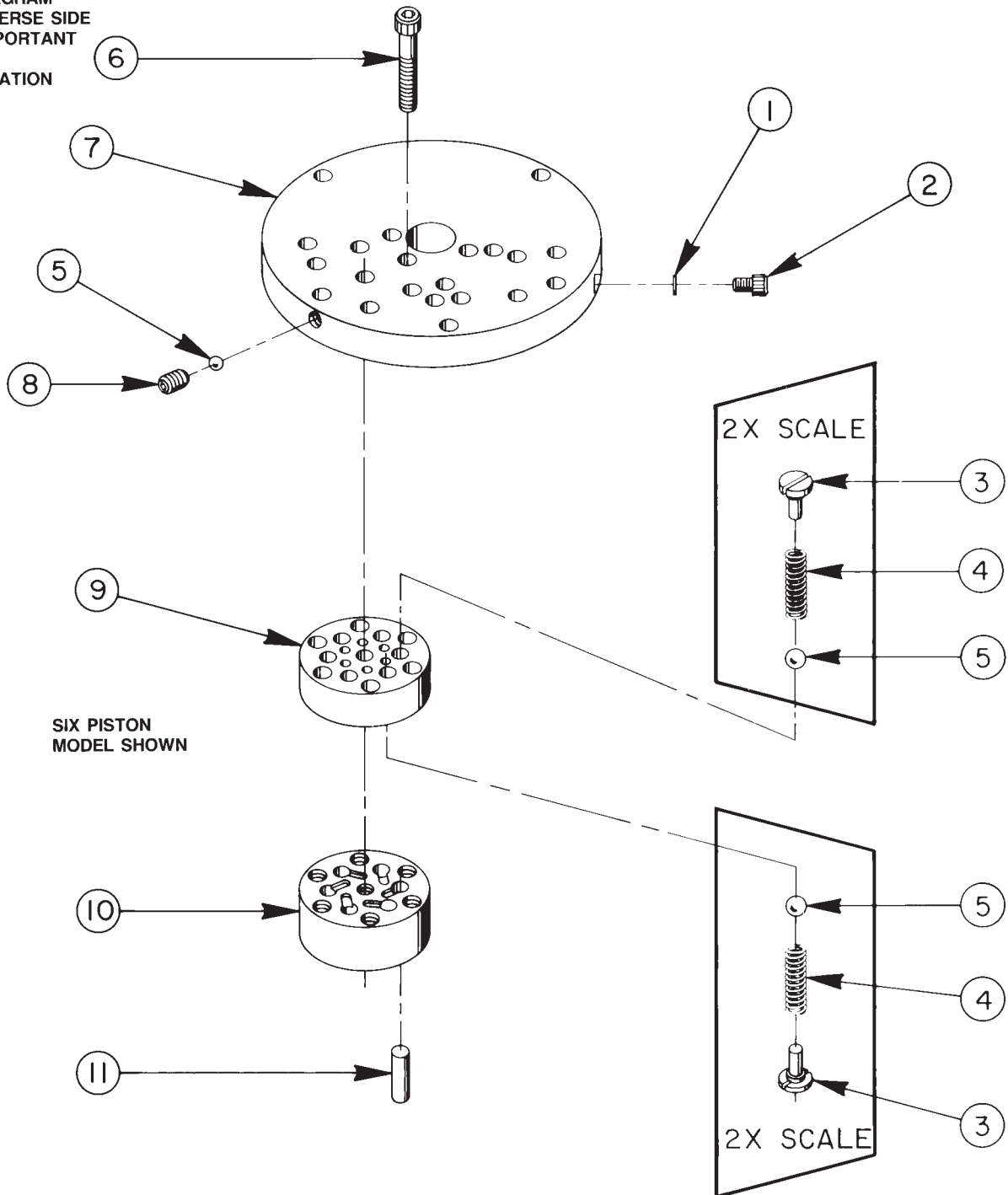


When replacing the needle bearings on the drive gear of the basic pump, the dimensions shown must be as specified.

Note: Shaded areas reflect last revision(s) made to this form.

HIGH PRESSURE PUMP ASSEMBLY

SEE DIAGRAM
ON REVERSE SIDE
FOR IMPORTANT
ASS'Y.
INFORMATION

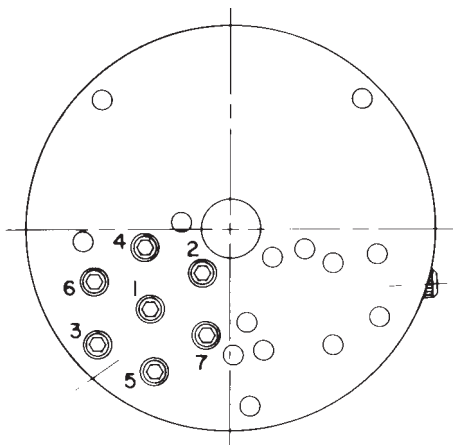


33113 PUMP ASSEMBLY
3 Pistons - 9/32 Dia.

Item No.	Part No.	No. Req'd	Description
1	10442	1	Copper Washer (3/8 X 1/4 X 1/32)
2	10002	1	Soc. Hd. Cap Screw (1/4-20 UNC X 3/8" Lg.; Torque to 140/160 in. lbs.)
3	24549	6	Valve Guide
4	10445	6	Compression Spring (5/32" O.D. X 3/4" Lg.)
5	12223	7	Steel Ball (3/16" Dia.)
6	10023	7	Soc. Hd. Cap Screw (1/4-28 UNF X 1-1/2 Lg.; Torque to 170/180 in. lbs.; See note below)
7	50411	1	Top Plate
8	10519	1	Soc. Set Screw (1/4-20 UNC X 3/8 Lg.; Torque to 65/70 in. lbs.)
9	40630	1	Valve Head
10	41062	1	Pump Barrel
11	21628	3	Piston

33114 PUMP ASSEMBLY
6 Pistons - 9/32 Dia.

Item No.	Part No.	No. Req'd	Description
1	10442	1	Copper Washer (3/8 X 1/4 X 1/32)
2	10002	1	Soc. Hd. Cap Screw (1/4-20 UNC X 3/8" Lg.; Torque to 140/160 in. lbs.)
3	24549	12	Valve Guide
4	10445	12	Compression Spring (5/32" O.D. X 3/4" Lg.)
5	12223	13	Steel Ball (3/16" Dia.)
6	10023	7	Soc. Hd. Cap Screw (1/4-28 UNF X 1-1/2 Lg.; Torque to 170/180 in. lbs.; See note below)
7	50411	1	Top Plate
8	10519	1	Soc. Set Screw (1/4-20 UNC X 3/8 Lg.; Torque to 65/70 in. lbs.)
9	41048	1	Valve Head
10	41063	1	Pump Barrel
11	21628	6	Piston

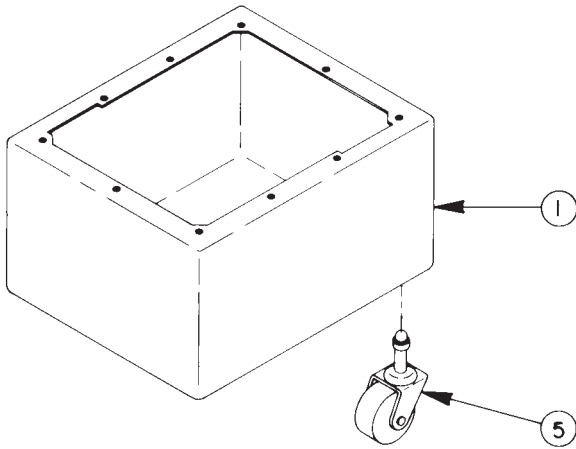


BOLT TIGHTENING SEQUENCE

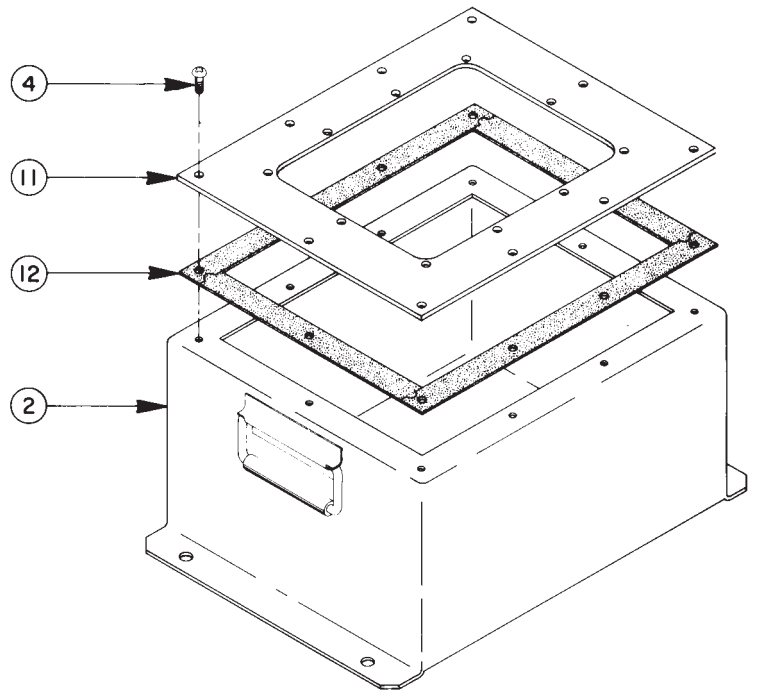
NOTE: Assemble in sequence shown.
 Lubricate under head and on threads.
 Torque to 180 in. lbs.

RESERVOIR ASSEMBLIES

2 GAL. RESERVOIR

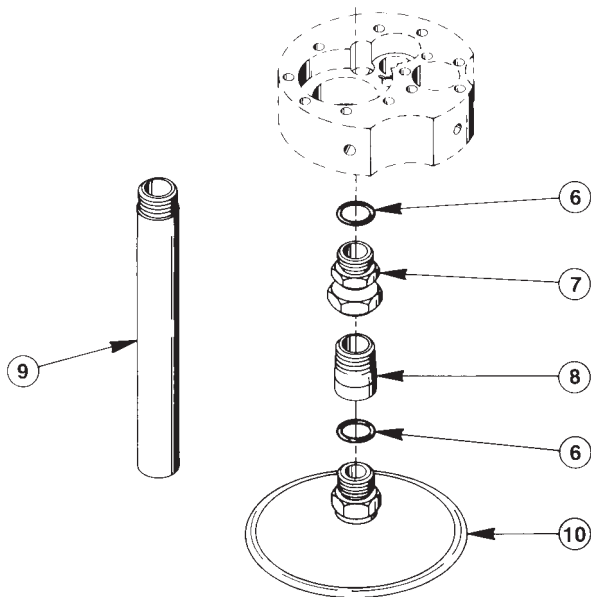


5 & 10 GAL. RESERVOIRS

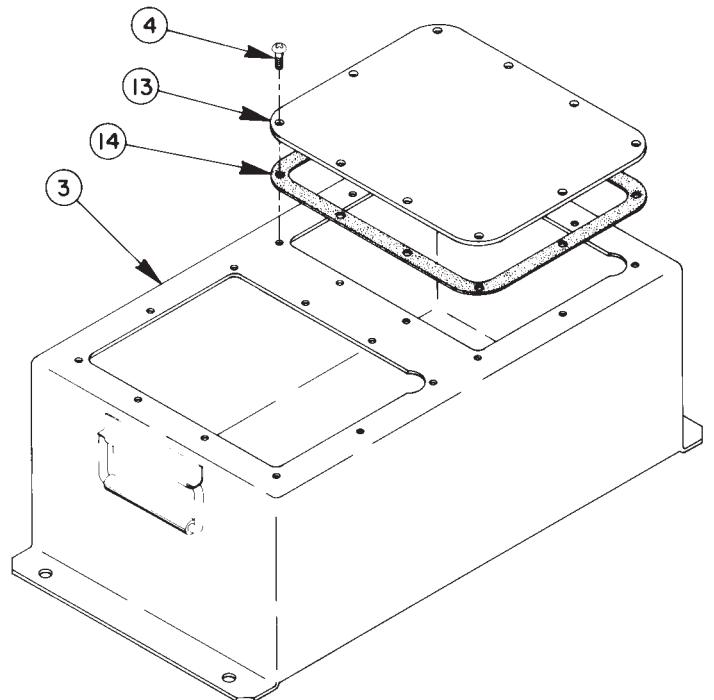


FILTER & EXTENSIONS

Used on 5, 7 & 10 Gal. Reservoirs as Applicable



7 GAL. RESERVOIR



RESERVOIR ASSEMBLIES CONT.

NOTE: For complete Reservoir Assembly order the following:

23509	---	OTC complete 5 Gal. Reservoir Assembly
23510	---	OTC complete 7 Gal. Reservoir Assembly
23511	---	OTC complete 10 Gal. Reservoir Assembly
RP50	---	Power Team complete 5 Gal. Reservoir Assembly
209124	---	Power Team complete 7 Gal. Reservoir Assembly
RP100	---	Power Team complete 10 Gal. Reservoir Assembly

These numbers include the following parts listed below as applicable.

Item No.	Part No.	No. Req'd	Description
1	40063BL2	1	2 Gal. Reservoir (OTC)
	40063OR9	1	2 Gal. Reservoir (Power Team)
	60597OR9	1	2 Gal. Reservoir with handles & drain (Power Team)
	420080	1	Reservoir (For PE90C-EPR)
2	40137BL2	1	5 Gal. Reservoir (OTC)
	40137OR9	1	5 Gal. Reservoir (Power Team)
	40193BL2	1	10 Gal. Reservoir (OTC)
	40193OR9	1	10 Gal. Reservoir (Power Team)
3	50051BL2	1	7 Gal. Reservoir (OTC)
	50051OR9	1	7 Gal. Reservoir (Power Team)
4	10177	10	Mach. Screw (1/4-20 UNC X 3/4 Lg.)
5	10494	4	Swivel Caster (For 2 Gal. Res.)
6	10527	2	O-ring (13/16 X .644 X .087)
7	10528	1	Adapter Union
8	22033	1	Suction Line (For 5 & 7 Gal. Res.)
9	22037	1	Suction Line (For 10 Gal. Res.)
10	21345	1	Filter Assembly
11	40194AL2	1	Adapter Cover Plate (For 5 & 10 Gal. Res.)
12	40490	1	Gasket (For 5 & 10 Gal. Res.)
13	41088AL2	1	Cover Plate (For 7 Gal. Res.)
14	40164	1	Gasket (For 7 Gal. Res.)

PARTS NOT SHOWN

11023	2	Trade Name Decal (OTC)
202175	2	Trade Name Decal (Power Team PE55 Series)
202092	2	Trade Name Decal (Power Team PE90 Series)

Refer to any operating instructions included with this product for detailed information about operation, testing, disassembly, reassembly, and preventive maintenance.

Items found in this parts list have been carefully tested and selected. **Therefore: Use only genuine replacement parts!**

Additional questions can be directed to our Technical Services Department.