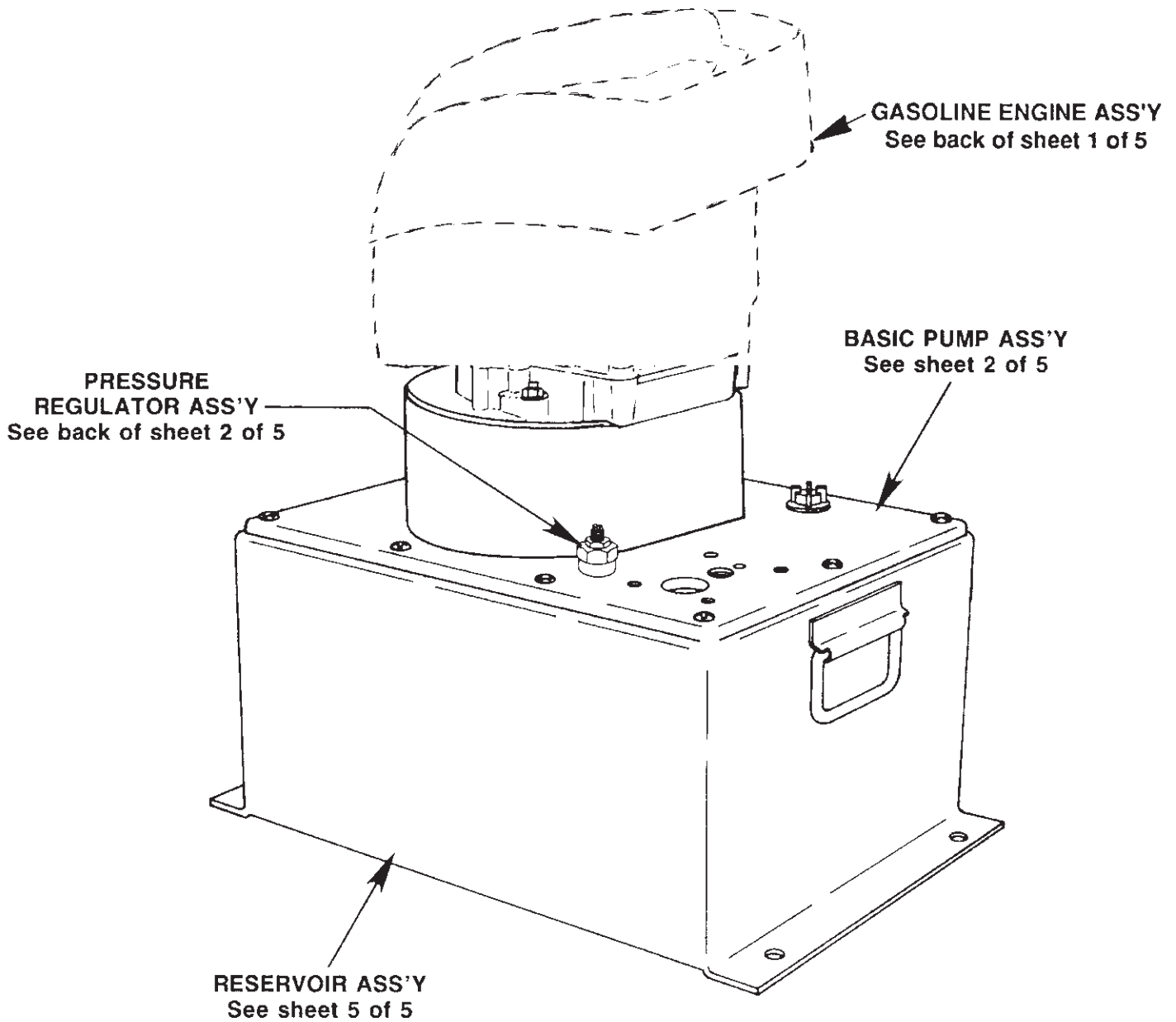
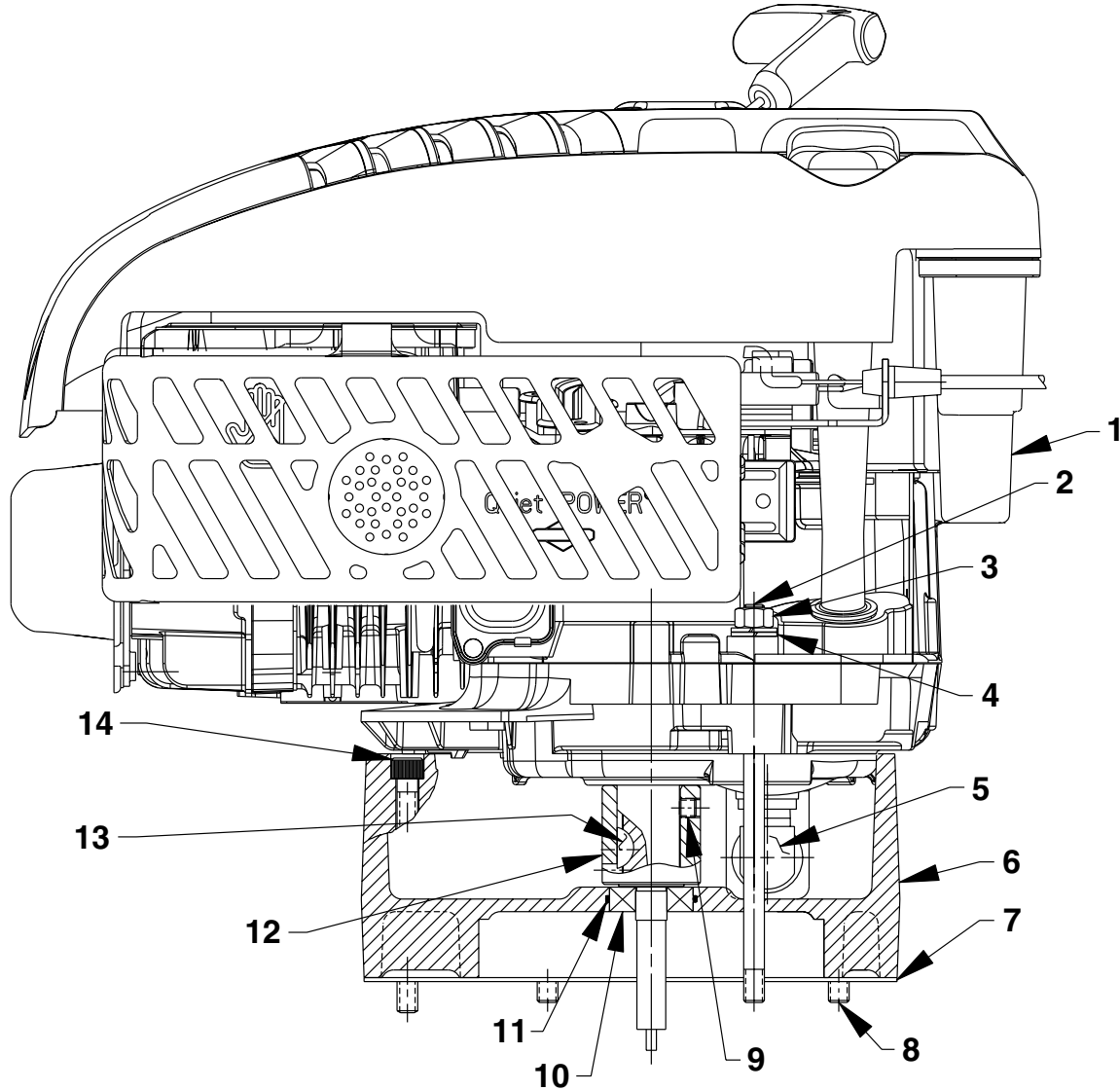


**MODEL C  
HYDRAULIC PUMP  
GENERAL SECTION**



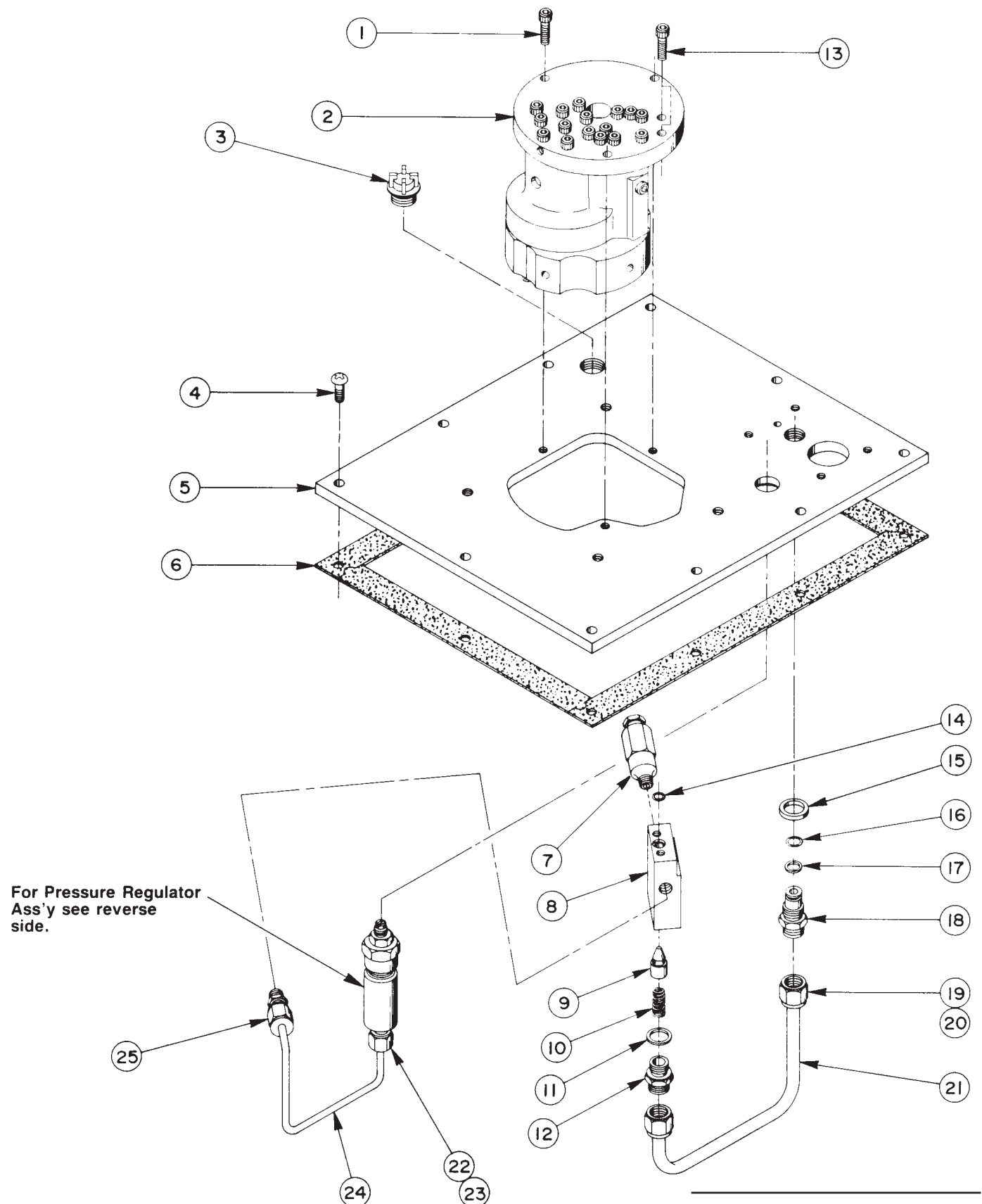
## GASOLINE ENGINE ASSEMBLY



**NOTE:** For complete Engine Ass'y order the following:  
**422068** Complete 6 H.P. Engine Ass'y

Item No.	Part No.	No. Req'd	Description
1	66490	1	Gas Engine (6 H.P.)
2	250262	1	Stud
3	13116	3	Locknut (5/16-18 UNC; Note: Nut must fully engage threads of mounting studs [Items 2 & 8].)
4	10246	4	Lockwasher (.59 x .32; Note: Use [2] washers on stud #250262 [Item 2])
5	10621	1	90° Elbow Fitting (Take drain plug from engine and use in elbow.)
6	50384WH2	1	Mounting Adapter
7	40987	1	Gasket
8	26804	2	Stud
9	10556	1	Set Screw (1/4-20 UNC X 1/4" Lg.)
10	10439	1	Ball Bearing
11	15124	1	O-ring (1-3/8 X 1-1/4 X 1/16)
12	420052	1	Shaft Extension
13	10945	1	Woodruff Key
14	11030	1	Soc. Hd. Cap Screw (For 40145; 5/16-18 X 3-1/2 Lg. Note: Torque to 80/100 in. lbs. at assembly)

# GENERAL PUMP ASSEMBLY

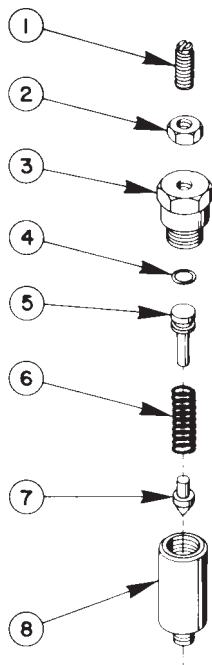


Item No.	Part No.	No. Req'd	Description	Item No.	Part No.	No. Req'd	Description
1	10016	3	Soc. Hd. Cap Screw (1/4-20 UNC X 1" Lg.)	11	10261	1	Copper Washer (3/4 X 19/32 X 1/32)
2	*27206	1	Basic Pump Ass'y Replacement (For PG55A Series, PG553 & PG554)	12	20770	1	Connector (Torque to 40/45 in. lbs.)
3	20937	1	Filler Plug (For PG55A Series, PG553 & PG554)	13	10015	2	Soc. Hd. Cap Screw (1/4-28 UNF X 1" Lg.; Torque to 180 in. lbs.)
	251689	1	Filler Breather Cap (For PG553-2UK & PG554-2UK)	14	10266	1	O-ring (3/8 X 1/4 X 1/16)
	200415	1	O-ring (For PG553-2UK & PG554-2UK)	15	21484	1	Spacer
4	10177	10	Mach. Screw (1/4-20 UNC X 3/4 Lg.)	16	10268	1	O-ring (1/2 X 3/8 X 1/16)
5	50058WH2	1	Cover Plate For PG55A Series, PG553 & PG554)	17	11863	1	Teflon Backup Washer (1/2 X 3/8 X 1/16)
	58361WH2	1	Cover Plate (For PG554-2UK & PG553-2UK)	18	20787	1	Valve Connector
6	40490	1	Gasket	19	10430	2	Tube Sleeve
	40164	1	Gasket (For PG554-2UK & PG553-2UK)	20	10431	2	Tube Nut (5/8-18 UNF)
7	21278	1	Relief Valve Ass'y (Set at 10,100/10,700 PSI)	21	21495	1	Oil Line (For PG55A Series, PG553 & PG554)
8	20776	1	Valve Body	22	304444	1	Oil Line (For PG553-2UK & PG554-2UK)
9	20771	1	Poppet	23	11342	1	Tube Nut (7/16-20 UNF)
10	10425	1	Compression Spring (3/8 O.D. X 3/4 Lg.)	24	11174	1	Tube Sleeve
				25	22399	1	Oil Line
					11173	1	Straight Fitting

For PG55A Series,  
PG553, & PG554

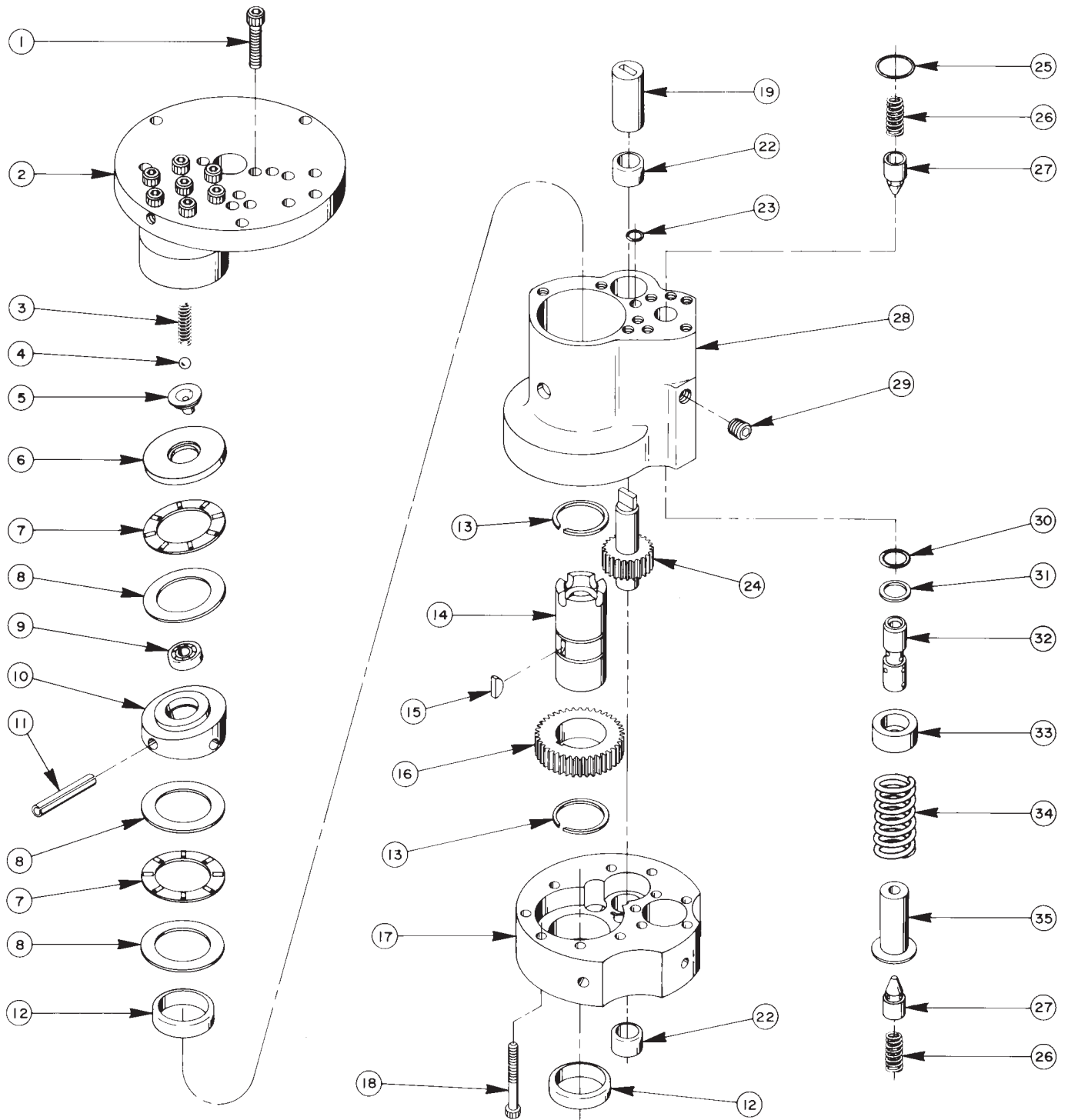
\*Includes all items on sheet 3 of 5 and 1, 7, 8, 9, 10, 11, 12, 13, 15 & 22 on this sheet.

### PRESSURE REGULATOR ASSEMBLY



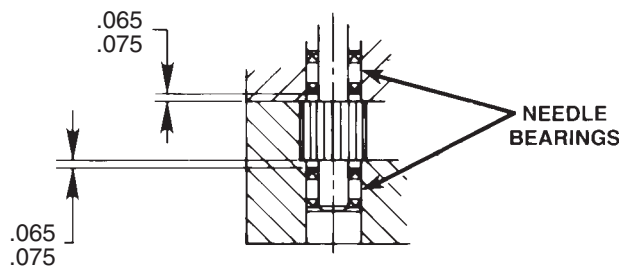
Item No.	Part No.	No. Req'd	Description
1	22362	1	Adjusting Screw
2	10386	1	Hex Jam Nut (3/8-24 UNF)
3	21305	1	Valve Cap
4	10268	1	O-ring (1/2 X 3/8 X 1/16)
5	21306	1	Spring Guide
6	10495	1	Compression Spring (1/2 O.D. X 1-5/8 Lg.)
7	21046	1	Valve Stem
8	22361	1	Body

**BASIC PUMP ASSEMBLY**



Item No.	Part No.	No. Req'd	Description
1	10020	9	Soc. Hd. Cap Screw (1/4-20 UNC X 1-1/4" Lg.; Torque to 170-180 in. lbs.)
2	33113	1	High Pressure Pump Ass'y (See sheet 4 of 5)
3	10361	1	Compression spring (1/4 O.D. X 1" Lg.)
4	10375	1	Steel Ball (1/4" dia.)
5	23547	1	Bearing Top Plate
6	23548	1	Top Plate
7	11228	2	Thrust Bearing
8	11813	3	Bearing Race
9	11814	1	Ball Bearing
10	23549	1	Angle Plate
11	11955	1	Roll Pin (1/4" dia. X 1-3/4 Lg.)
12	11064	2	Needle Bearing
13	11261	2	Retaining Ring
14	23556	1	Shaft
15	11821	1	Woodruff Key
16	23557	1	Gear
17	30533	1	Pump End Plate
18	10001	12	Soc. Hd. Cap Screw (#10-32 UNF X 1-3/4" Lg.; Torque to 50 in. lbs.)
19	251206	1	Aluminum Coupling
22	11199	2	Needle Thrust Bearing (See note below)
23	10266	1	O-ring (3/8 X 1/4 X 1/16)
24	21272	1	Drive Gear
25	10303	1	O-ring (7/8 X 3/4 X 1/16)
26	10425	2	Compression Spring (3/8 O.D. X 3/4 Lg.)
27	20771	2	Poppet
28	40120	1	Pump Body
29	10427	1	Pipe Plug (1/8" NPTF)
30	10271	1	O-ring (11/16 X 1/2 X 3/32)
31	12389	1	Teflon Backup Washer (11/16 X 1/2 X 1/16)
32	20849	1	Spool
33	23255	1	Spring Guide
34	10426	1	Compression Spring (1" O.D. X 1-13/16 Lg.)
35	23256	1	Spring Guide

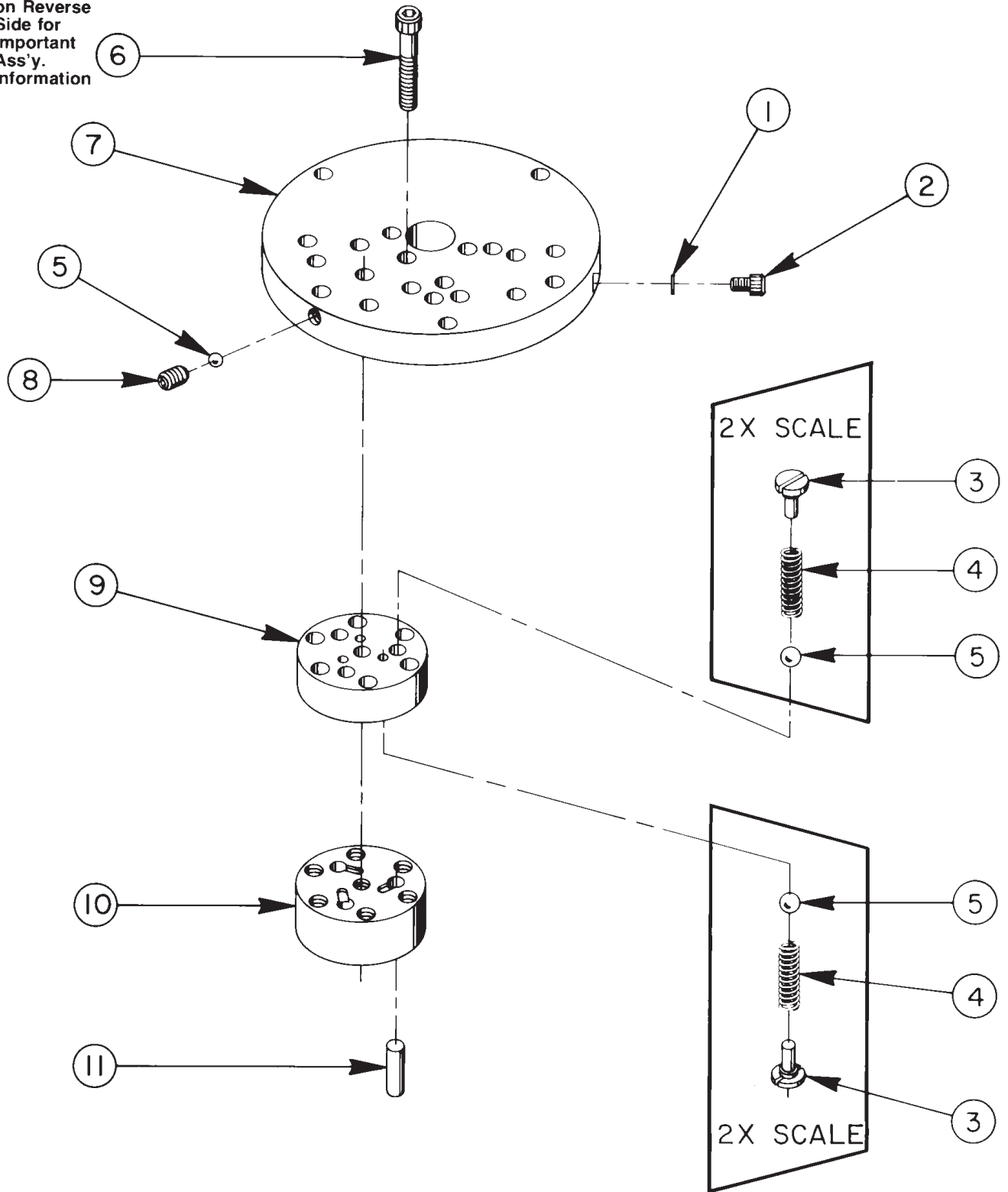
## NEEDLE BEARING INSTALLATION SPECIFICATIONS



When replacing the needle bearings on the drive gear of the basic pump, the dimensions shown must be as specified.

# HIGH PRESSURE PUMP ASSEMBLY

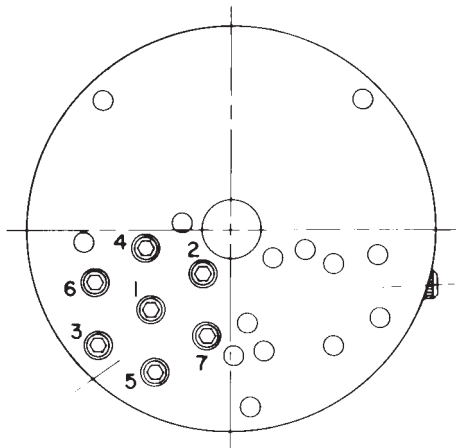
See Diagram on Reverse Side for Important Ass'y. Information



**33113 PUMP ASS'Y**  
**3 Pistons -- 9/32 Dia.**

Item No.	Part No.	No. Req'd	Description
1	10442	1	Copper Washer (3/8 X 1/4 X 1/32)
2	10002	1	Soc. Hd. Cap Screw (1/4-20 UNC X 3/8" Lg.; Torque to 140/160 in. lbs.)
3	24549	6	Valve Guide
4	10445	6	Compression Spring (5/32" O.D. X 3/4" Lg.)
5	12223	7	Steel Ball (3/16" dia.)
6	10023	7	Soc. Hd. Cap Screw (1/4-28 UNF X 1-1/2" Lg.; Torque to 170/180 in. lbs.; See note below)
7	50411	1	Top Plate
8	10519	1	Soc. Set Screw (1/4-20 UNC X 3/8 Lg.; Torque to 65/70 in. lbs.)
9	40630	1	Valve Head
10	41062	1	Pump Barrel
11	21628	3	Piston

**BOLT TIGHTENING SEQUENCE**



**NOTE: Assemble in sequence shown.**  
**Lubricate under head and on threads.**  
**Torque to 180 in. lbs.**

Refer to any operating instructions included with this product for detailed information about operation, testing, disassembly, reassembly, and preventive maintenance.

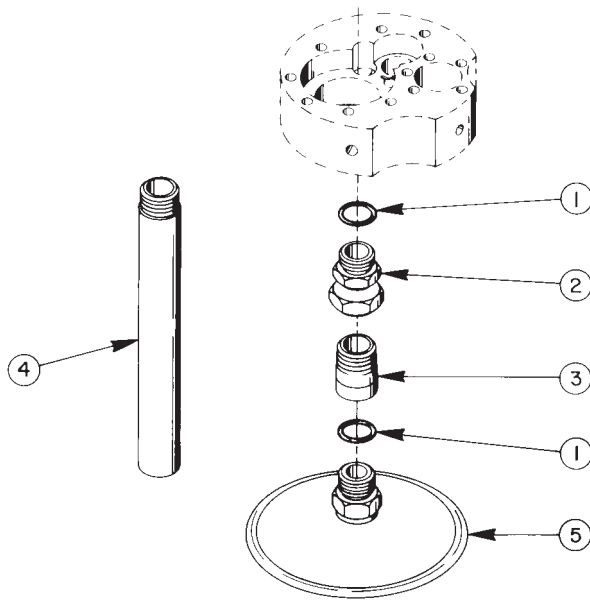
Items found in this parts list have been carefully tested and selected. **Therefore: Use only genuine Power Team replacement parts!**

Additional questions can be directed to our Technical Services Department.

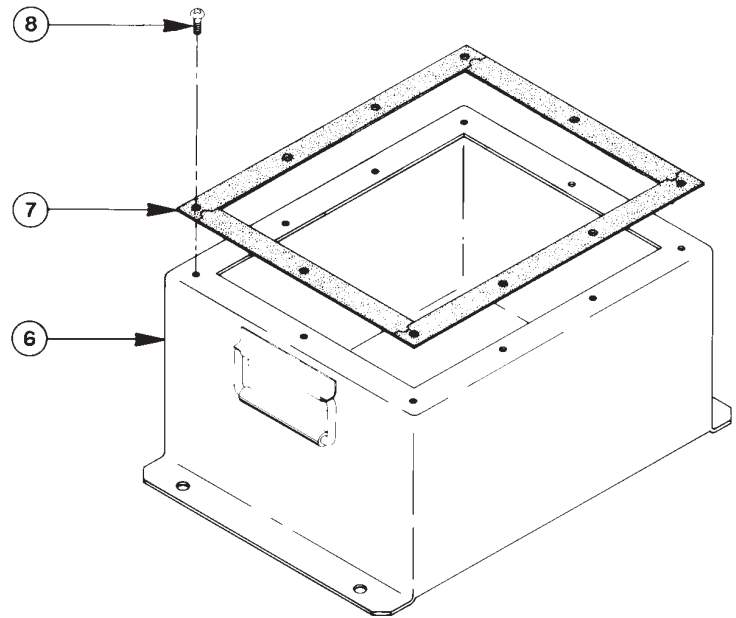


**FILTER & EXTENSIONS**

Used on 5 & 10 Gallon Reservoirs as Applicable



**5 & 10 GALLON RESERVOIRS**



**RESERVOIR ASSEMBLIES**

**NOTE:** For a complete Reservoir Ass'y order the following:  
**RP101** -- Power Team complete 10 Gal. Reservoir Ass'y.

This no. includes the following parts listed below as applicable.

Item No.	Part No.	No. Req'd	Description
1	10527	2	O-ring (13/16 X .644 X .087)
2	10528	1	Adapter Union
3	22033	1	Suction Line (For 5 Gal. Res.)
4	22037	1	Suction Line (For 10 Gal. Res.)
5	21345	1	Filter Ass'y
6	40137OR9	1	5 Gal. Reservoir
	40193OR9	1	10 Gal. Reservoir
7	40490	1	Gasket (For 5 & 10 Gal. Res.)
8	10177	10	Machine Screw (1/4-20 UNC X 3/14 Lg.; Apply Loctite #242 and torque to 90/100 in. lbs.)

**PARTS NOT SHOWN**

202175	2	Trade Name Decal (For RP101)
40063OR9	1	Reservoir (2 gallon; For PG554-2UK & PG553-2UK)
309219	1	Trade Name Decal
350988	1	CE Decal (For PG554-2UK & PG553-2UK)