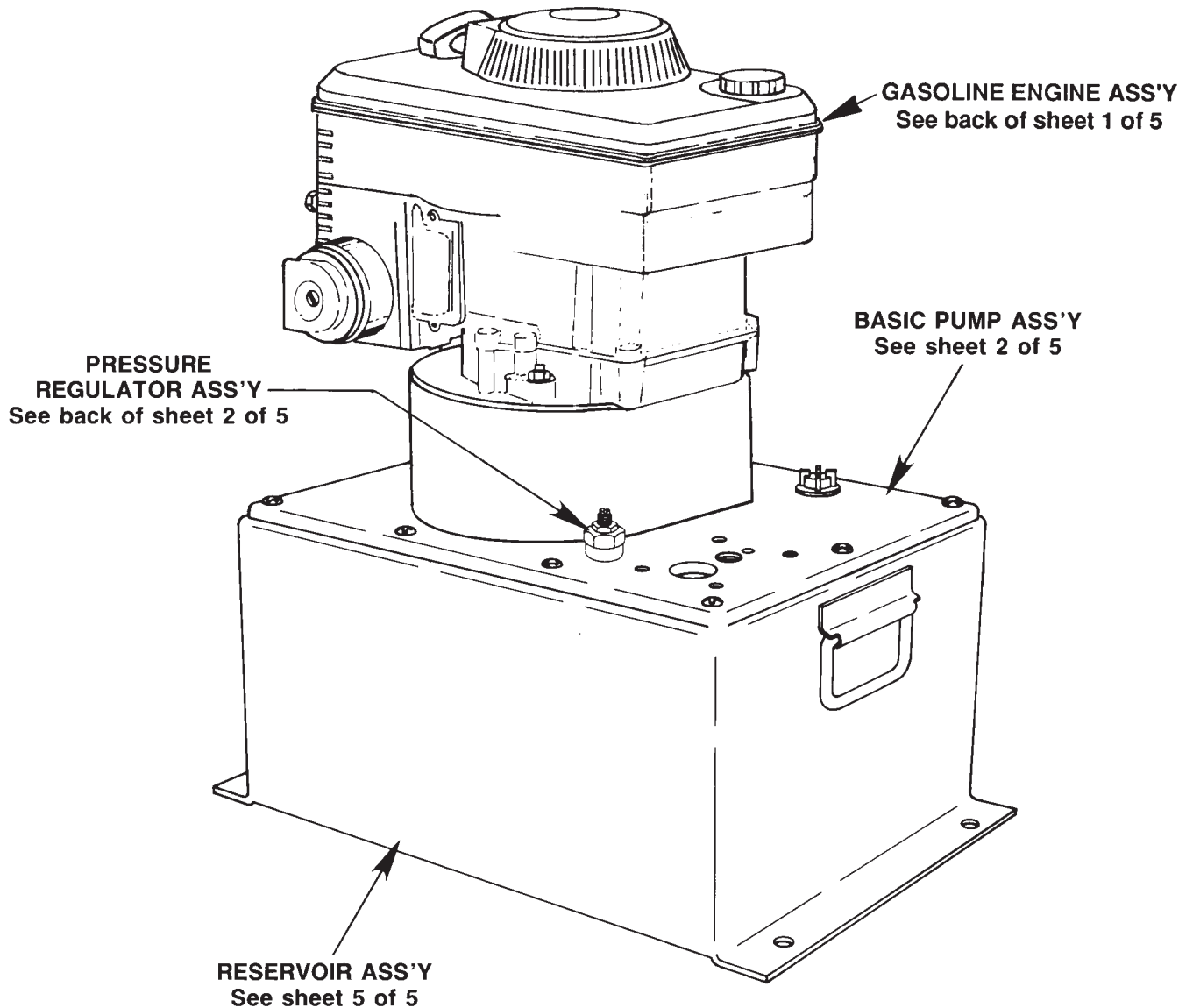


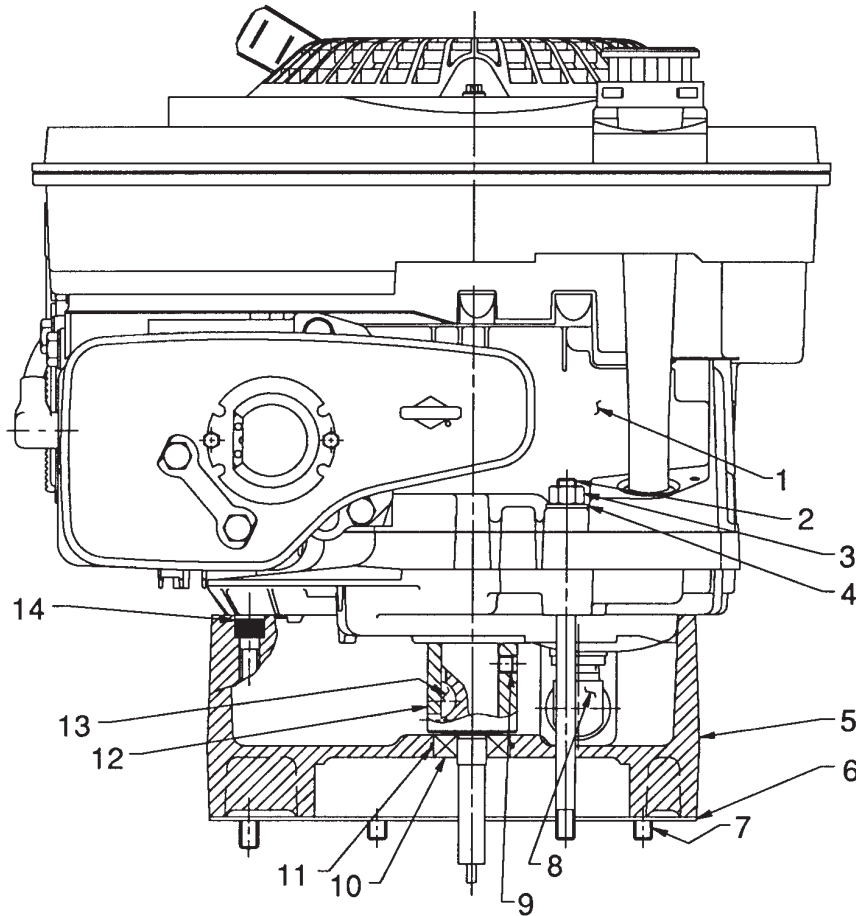
Parts List for:

60208	PG553
65820	PG553-2UK
FT600	PG554
FT700-001	PG554-LEAD
FT700-002	PG554-2UK
PG55A Series	Y26G Series
PG90A Series	Y60G Series
PG120A Series	Y70G Series

MODEL B HYDRAULIC PUMP GENERAL SECTION



GASOLINE ENGINE ASSEMBLY



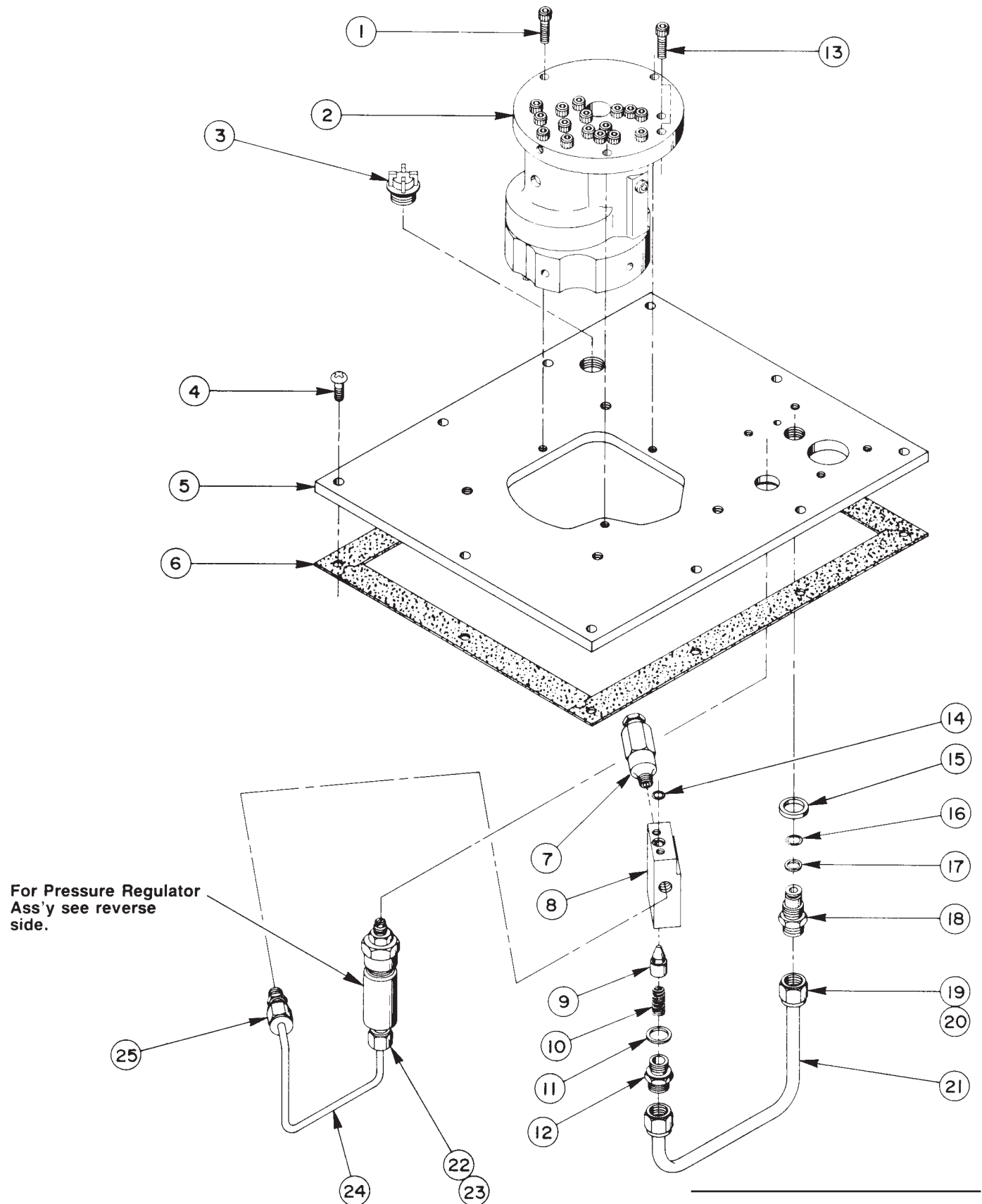
NOTE: For complete Engine Ass'y order the following:

40145 Complete 4 H.P. Engine Ass'y

41376 Complete 6 H.P. Engine Ass'y

Item No.	Part No.	No. Req'd	Description
1	64072	1	Gas Engine (4 H.P.)
	14221	1	Gas Engine (6 H.P.)
	46999	1	Gas Engine (6 H.P. for FT600)
2	250262	1	Stud (For 40145)
	28815	3	Stud (For 41376)
3	13116	3	Locknut (5/16-18 UNC)
4	10257	4	Washer (For 5/16 bolt; Note: Use [2] washers on stud #250262 [Item 2]))
5	50384WH2	1	Mounting Adapter (For 40145)
	50533	1	Mounting Adapter (For 41376)
6	40987	1	Gasket
7	26804	2	Stud (For 40145)
8	9681	1	Street Elbow (For 40145)
	13176	1	Street Elbow (For 41376)
9	10556	1	Set Screw (1/4-20 UNC X 1/4" Lg.)
10	10439	1	Ball Bearing
11	15124	1	O-ring (1-3/8 X 1-1/4 X 1/16)
	420052	1	Shaft Extension
12	351225	1	Shaft Extension (For FT600)
	10945	1	Woodruff Key
13	252082	1	Woodruff Key (For FT600)
	11030	1	Soc. Hd. Cap Screw (For 40145; 5/16-18 X 3-1/2 Lg. Note: Torque to 80/100 in. lbs. at assembly)
14	250299	1	Soc. Hd. Cap Screw (For 41376; 5/16-18 UNC X 4" Lg. Note: Torque to 80/100 in. lbs. at assembly)

GENERAL PUMP ASSEMBLY



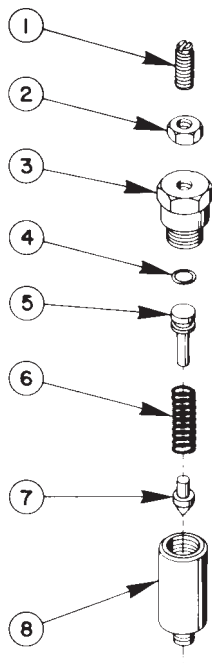
Parts List, Form No. 100520, Back sheet 2 of 5

Item No.	Part No.	No. Req'd	Description	Item No.	Part No.	No. Req'd	Description
1	10016	3	Soc. Hd. Cap Screw (1/4-20 UNC X 1" Lg.)	8	20776	1	Valve Body
2	*27206	1	Basic Pump Ass'y Replacement (See chart below)	9	20771	1	Poppet
	*28349	1	Basic Pump Ass'y Replacement (See chart below)	10	10425	1	Compression Spring (3/8 O.D. X 3/4 Lg.)
	*28354	1	Basic Pump Ass'y Replacement (See chart below; has Aluminum Coupling in place of Nylon)	11	10261	1	Copper Washer (3/4 X 19/32 X 1/32)
3	20937	1	Filler Plug	12	20770	1	Connector (Torque to 40/45 in. lbs.)
4	10177	10	Mach. Screw (1/4-20 UNC X 3/4 Lg.)	13	10015	2	Soc. Hd. Cap Screw (1/4-28 UNF X 1" Lg.; Torque to 180 in. lbs.)
5	50058WH2	1	Cover Plate	14	10266	1	O-ring (3/8 X 1/4 X 1/16)
	58361WH2	1	Cover Plate (For PG554-2UK & PG553-2UK)	15	21484	1	Spacer
6	40490	1	Gasket	16	10268	1	O-ring (1/2 X 3/8 X 1/16)
	420484	1	Gasket (For PG554-2UK & PG553-2UK)	17	11863	1	Teflon Backup Washer (1/2 X 3/8 X 1/16)
7	21278	1	Relief Valve Ass'y (Set at 10,100/10,700 PSI)	18	20787	1	Valve Connector
	21278-50	1	Relief Valve Ass'y (Set at 5,100/5,700 PSI)	19	10430	2	Tube Sleeve
				20	10431	2	Tube Nut (5/8-18 UNF)
				21	21495	1	Oil Line
				22	11342	1	Tube Nut (7/16-20 UNF)
				23	11174	1	Tube Sleeve
				24	22399	1	Oil Line
				25	11173	1	Straight Fitting

BASIC PUMP REPLACEMENT CHART LOW SPEED (3,600 RPM)

Series	Max. PSI	Basic Pump & Cover Plate Ass'y	Basic Pump Replacement	High Pressure Pump Ass'y Used	No. of Pistons
PG55A, Y26G	10,000	51103	27206*	33113	3
PG90A, Y60G	5,000	51104	28349*	33114	6
PG120A, Y70G	10,000	50518	28354*	33114	6

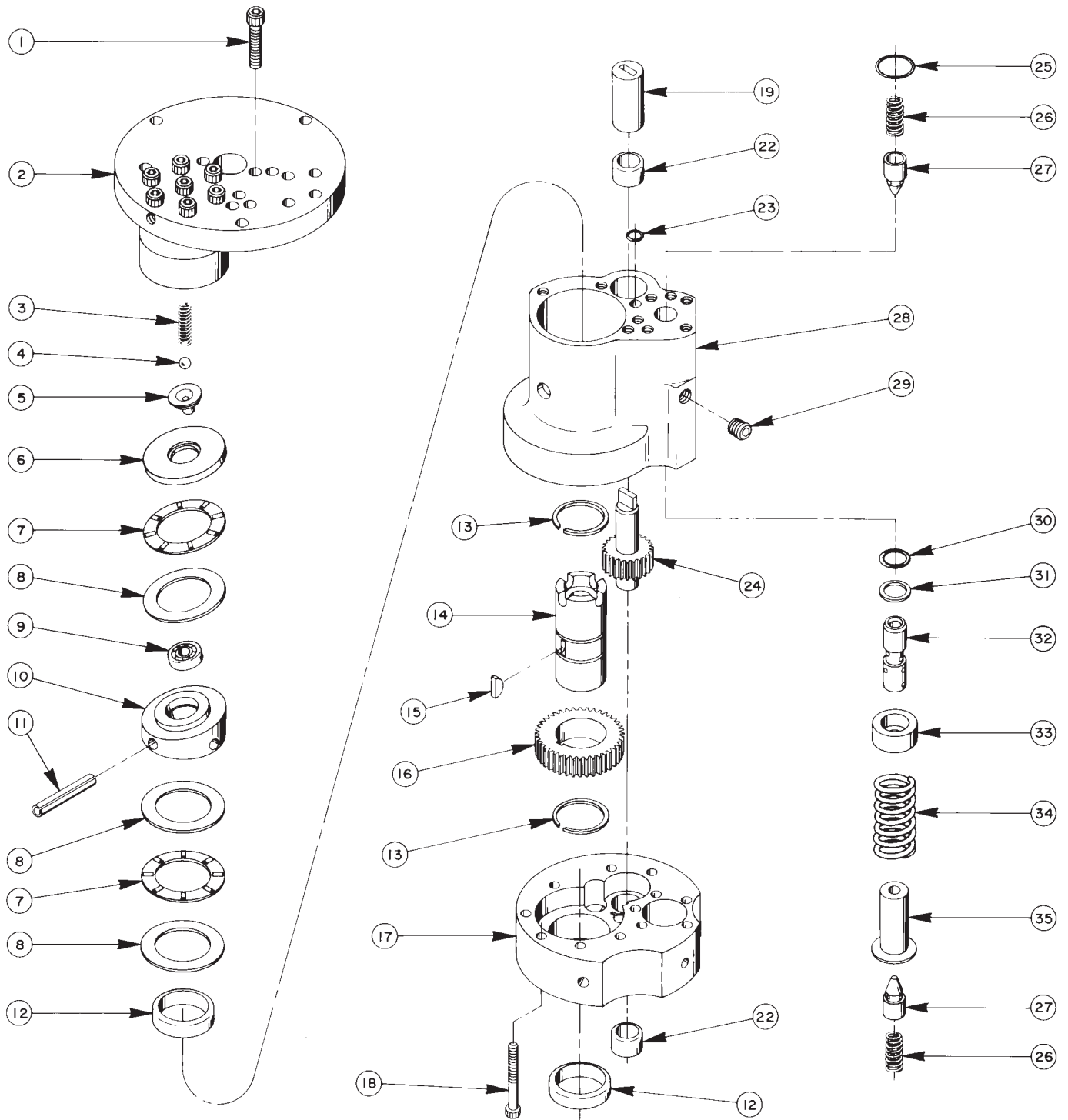
*Includes all items on sheet 1, 7, 8, 9, 10, 11, 12, 13, 15 & 22 on this sheet.



PRESSURE REGULATOR ASSEMBLY

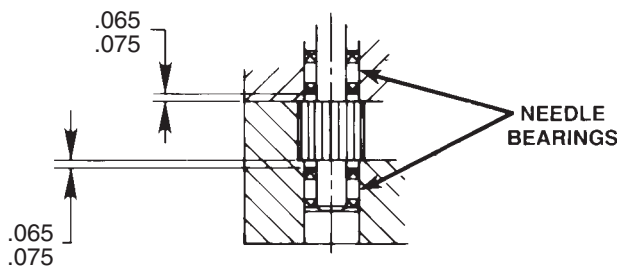
Item No.	Part No.	No. Req'd	Description
1	22362	1	Adjusting Screw
2	10386	1	Hex Jam Nut (3/8-24 UNF)
3	21305	1	Valve Cap
4	10268	1	O-ring (1/2 X 3/8 X 1/16)
5	21306	1	Spring Guide
6	10495	1	Compression Spring (1/2 O.D. X 1-5/8 Lg.)
7	21046	1	Valve Stem
8	22361	1	Body

BASIC PUMP ASSEMBLY



Item No.	Part No.	No. Req'd	Description
1	10020	9	Soc. Hd. Cap Screw (1/4-20 UNC X 1-1/4" Lg.; Torque to 170-180 in. lbs.)
2	33113	1	High Pressure Pump Ass'y (See sheet 4 of 5 & chart on back of sheet 2 of 5)
	33114	1	High Pressure Pump Ass'y (See sheet 4 of 5 & chart on back of sheet 2 of 5)
3	10361	1	Compression spring (1/4 O.D. X 1" Lg.)
4	10375	1	Steel Ball (1/4" dia.)
5	23547	1	Bearing Top Plate
6	23548	1	Top Plate
7	11228	2	Thrust Bearing
8	11813	3	Bearing Race
9	11814	1	Ball Bearing
10	23549	1	Angle Plate
11	11955	1	Roll Pin (1/4" dia. X 1-3/4 Lg.)
12	11064	2	Needle Bearing
13	11261	2	Retaining Ring
14	23556	1	Shaft
15	11821	1	Woodruff Key
16	23557	1	Gear
17	30533	1	Pump End Plate
18	10001	12	Soc. Hd. Cap Screw (#10-32 UNF X 1-3/4" Lg.; Torque to 50 in. lbs.)
19	251206	1	Aluminum Coupling
22	11199	2	Needle Thrust Bearing (See note below)
23	10266	1	O-ring (3/8 X 1/4 X 1/16)
24	21272	1	Drive Gear
25	10303	1	O-ring (7/8 X 3/4 X 1/16)
26	10425	2	Compression Spring (3/8 O.D. X 3/4 Lg.)
27	20771	2	Poppet
28	40120	1	Pump Body
29	10427	1	Pipe Plug (1/8" NPTF)
30	10271	1	O-ring (11/16 X 1/2 X 3/32)
31	12389	1	Teflon Backup Washer (11/16 X 1/2 X 1/16)
32	20849	1	Spool
33	23255	1	Spring Guide
34	10426	1	Compression Spring (1" O.D. X 1-13/16 Lg.)
35	23256	1	Spring Guide

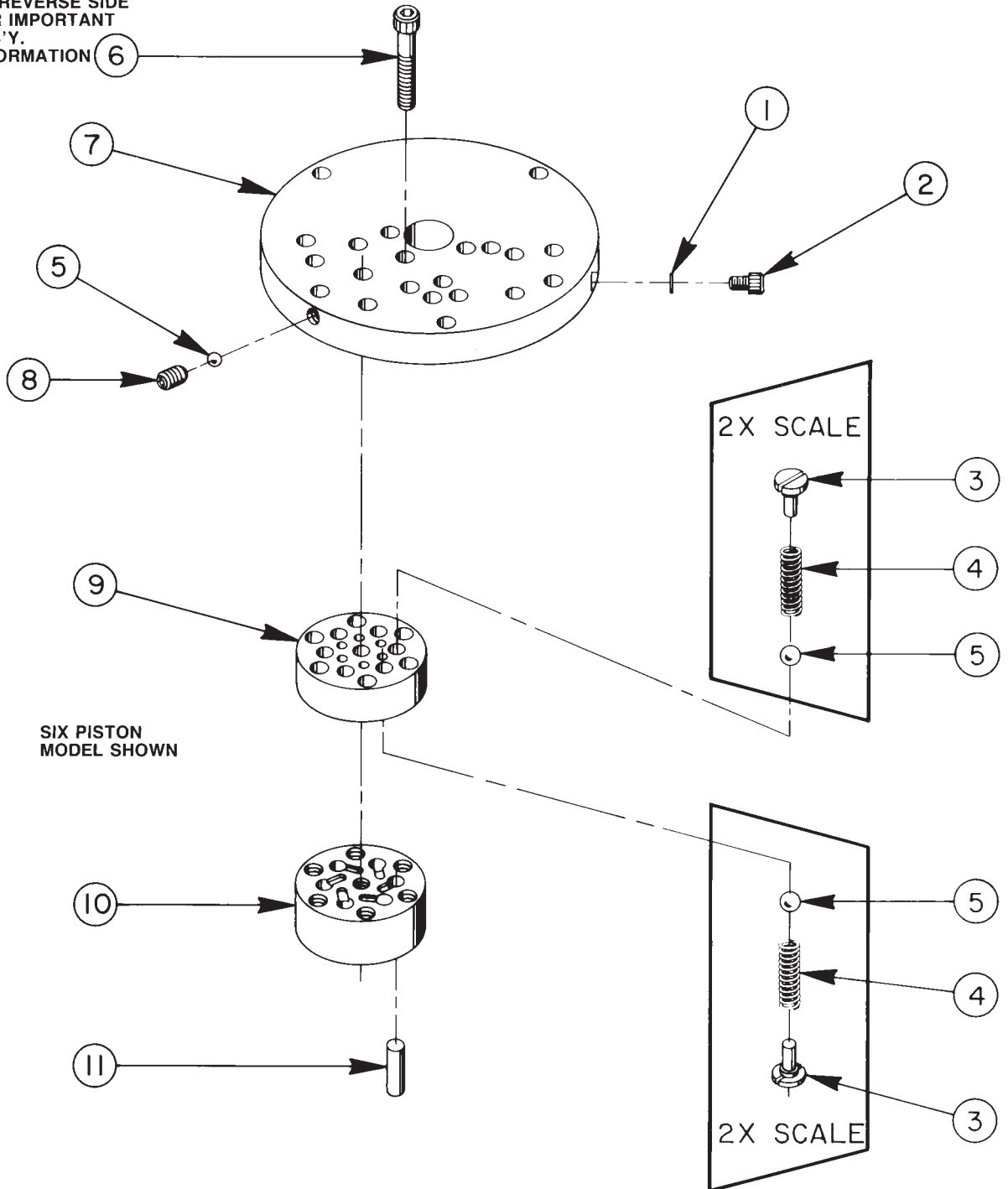
NEEDLE BEARING INSTALLATION SPECIFICATIONS



When replacing the needle bearings on the drive gear of the basic pump, the dimensions shown must be as specified.

HIGH PRESSURE PUMP ASSEMBLY

SEE DIAGRAM
ON REVERSE SIDE
FOR IMPORTANT
ASS'Y.
INFORMATION (6)



33113 PUMP ASS'Y

3 Pistons -- 9/32 Dia.

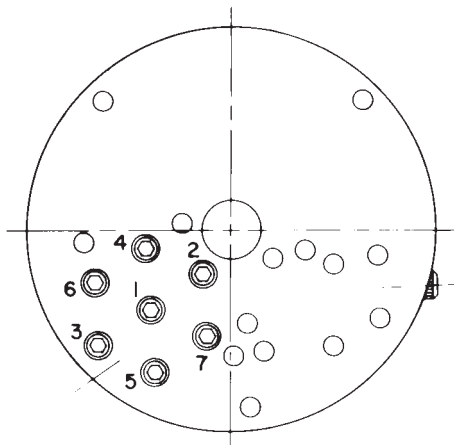
Item No.	Part No.	No. Req'd	Description
1	10442	1	Copper Washer (3/8 X 1/4 X 1/32)
2	10002	1	Soc. Hd. Cap Screw (1/4-20 UNC X 3/8" Lg.; Torque to 140/160 in. lbs.)
3	24549	6	Valve Guide
4	10445	6	Compression Spring (5/32" O.D. X 3/4" Lg.)
5	12223	7	Steel Ball (3/16" dia.)
6	10023	7	Soc. Hd. Cap Screw (1/4-28 UNF X 1-1/2" Lg.; Torque to 170/180 in. lbs.; See note below)
7	50411	1	Top Plate
8	10519	1	Soc. Set Screw (1/4-20 UNC X 3/8 Lg.; Torque to 65/70 in. lbs.)
9	40630	1	Valve Head
10	41062	1	Pump Barrel
11	21628	3	Piston

33114 PUMP ASS'Y

6 Pistons -- 9/32 Dia.

Item No.	Part No.	No. Req'd	Description
1	10442	1	Copper Washer (3/8 X 1/4 X 1/32)
2	10002	1	Soc. Hd. Cap Screw (1/4-20 UNC X 3/8" Lg.; Torque to 140/160 in. lbs.)
3	24549	12	Valve Guide
4	10445	12	Compression Spring (5/32" O.D. X 3/4" Lg.)
5	12223	13	Steel Ball (3/16" dia.)
6	10023	7	Soc. Hd. Cap Screw (1/4-28 UNF X 1-1/2" Lg.; Torque to 170/180 in. lbs.; See note below)
7	50411	1	Top Plate
8	10519	1	Soc. Set Screw (1/4-20 UNC X 3/8 Lg.; Torque to 65/70 in. lbs.)
9	41048	1	Valve Head
10	41063	1	Pump Barrel
11	21628	6	Piston

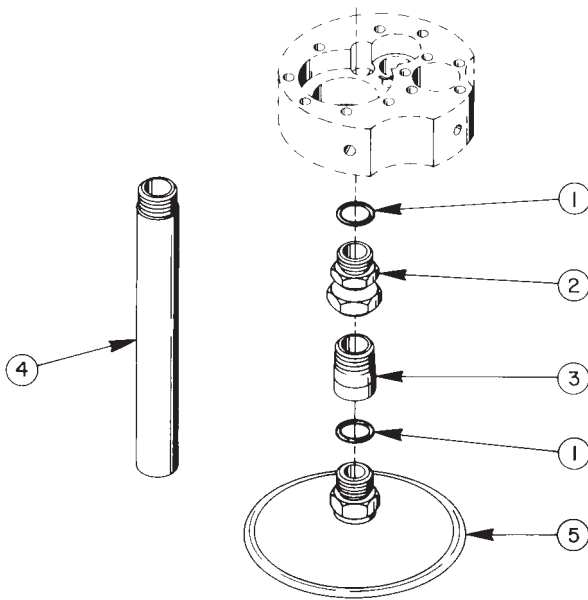
BOLT TIGHTENING SEQUENCE



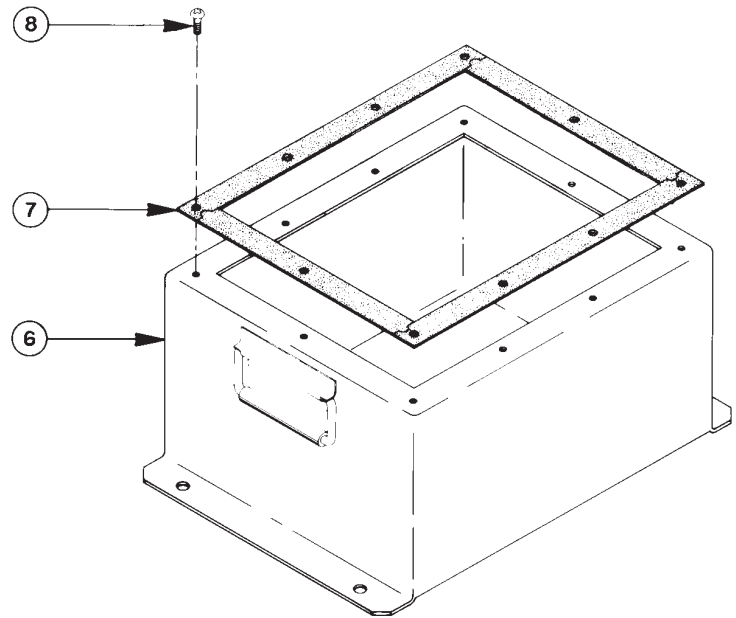
NOTE: Assemble in sequence shown.
Lubricate under head and on threads.
Torque to 180 in. lbs.

FILTER & EXTENSIONS

Used on 5 & 10 Gallon Reservoirs as Applicable



5 & 10 GALLON RESERVOIRS



RESERVOIR ASSEMBLIES

NOTE: For a complete Reservoir Ass'y order the following:
RP101 -- Power Team complete 10 Gal. Reservoir Ass'y.

This no. includes the following parts listed below as applicable.

Item No.	Part No.	No. Req'd	Description
1	10527	2	O-ring (13/16 X .644 X .087)
2	10528	1	Adapter Union
3	22033	1	Suction Line (For 5 Gal. Res.)
4	22037	1	Suction Line (For 10 Gal. Res.)
5	21345	1	Filter Ass'y
6	40137OR9	1	5 Gal. Reservoir (Power Team)
	40193OR9	1	10 Gal. Reservoir (Power Team)
7	40490	1	Gasket (For 5 & 10 Gal. Res.)
8	10177	10	Machine Screw (1/4-20 UNC X 3/14 Lg.)

PARTS NOT SHOWN

202175	2	Trade Name Decal (For RP101)
40063OR9	1	Reservoir (2 gallon; For PG554-2UK & PG553-2UK)

Refer to any operating instructions included with this product for detailed information about operation, testing, disassembly, reassembly, and preventive maintenance.

Items found in this parts list have been carefully tested and selected. **Therefore: Use only genuine Power Team replacement parts!**

Additional questions can be directed to our Technical Services Department.