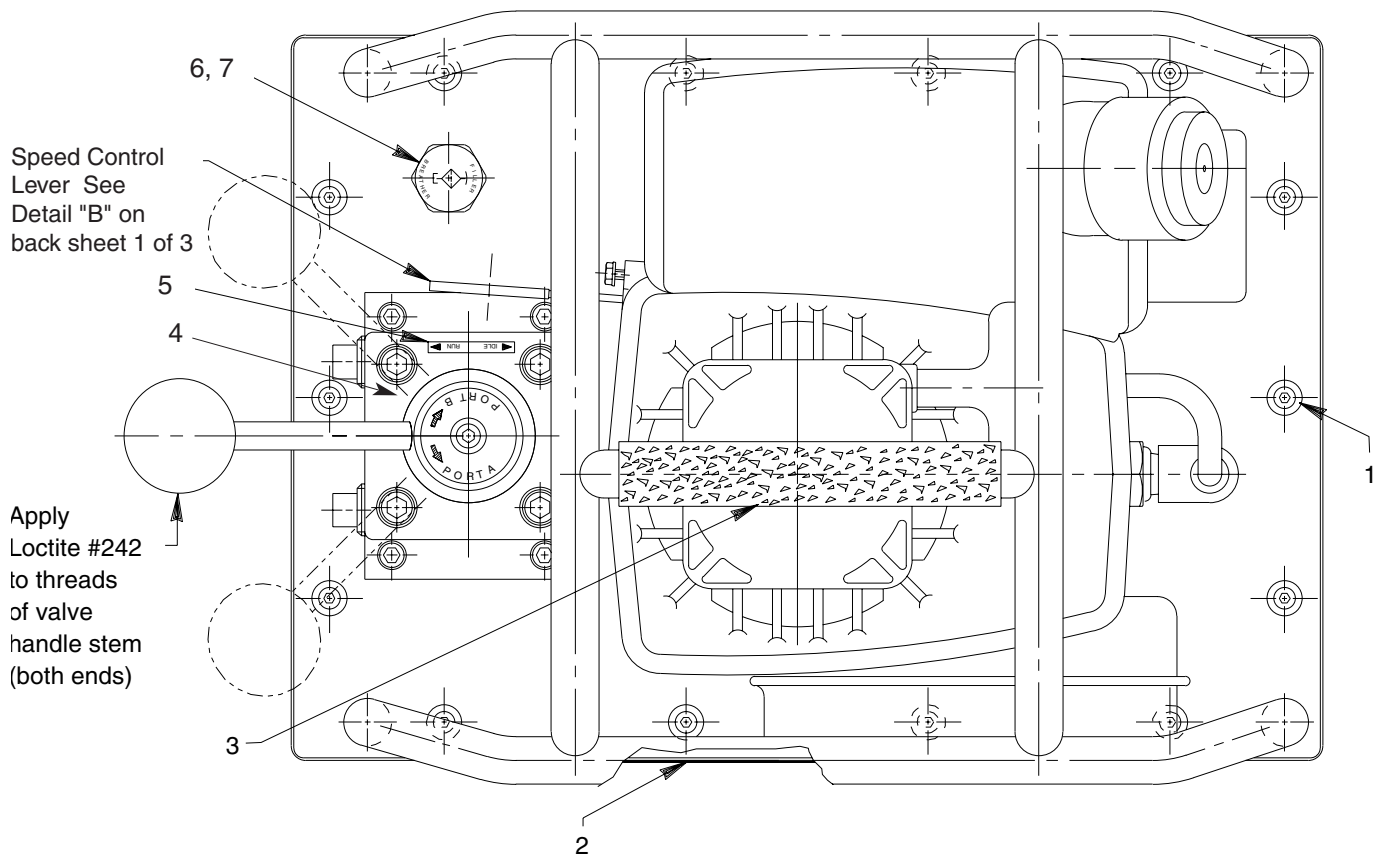


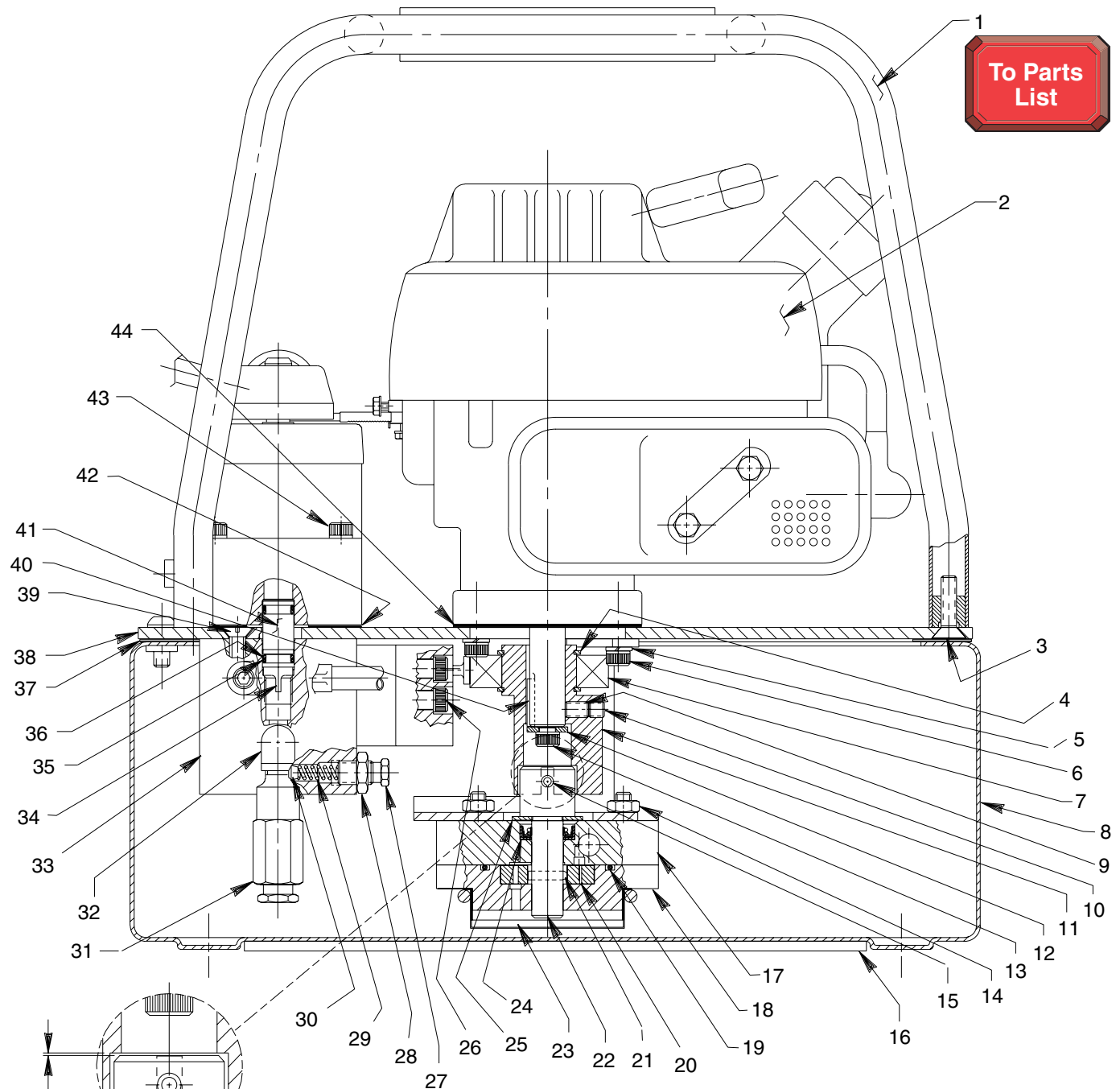
GAS HYDRAULIC PUMP

Max. Capacity: 10,000 PSI



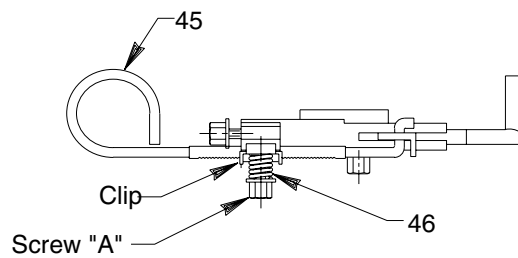
Item No.	Part No.	No. Req'd	Description
1	10177	14	Screw (1/4-20 X 3/4 Lg.; Torque to 60/80 in. lbs. Note Apply Loctite #242)
2	309221	2	Decal
3	250712	1	Handle Grip (Note: Cut-off approx. 1/2" of grip end and slit the grip end to end (one side only). Apply Pronto instant adhesive CA-6 to grip and roll cage bar. Assemble grip with slit on the under side of bar.
4	9520	1	Valve (For PG303; See Form No. 101377)
	9506	1	Valve (For PG304; See Form No. 100628)
5	250727	1	Decal
6	20937	1	Vent Cap
7	200415	1	Rubber Gasket

SIDE VIEW



To Parts List

.001
.010
Clearance
Required



DETAIL "B"

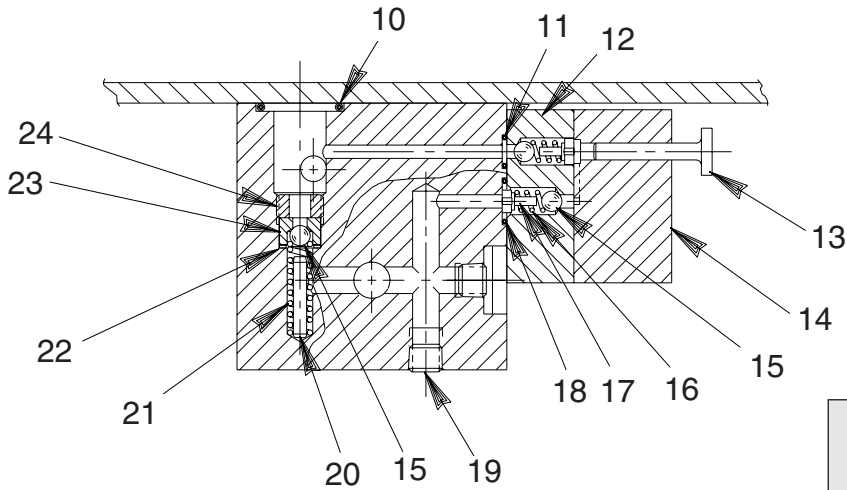
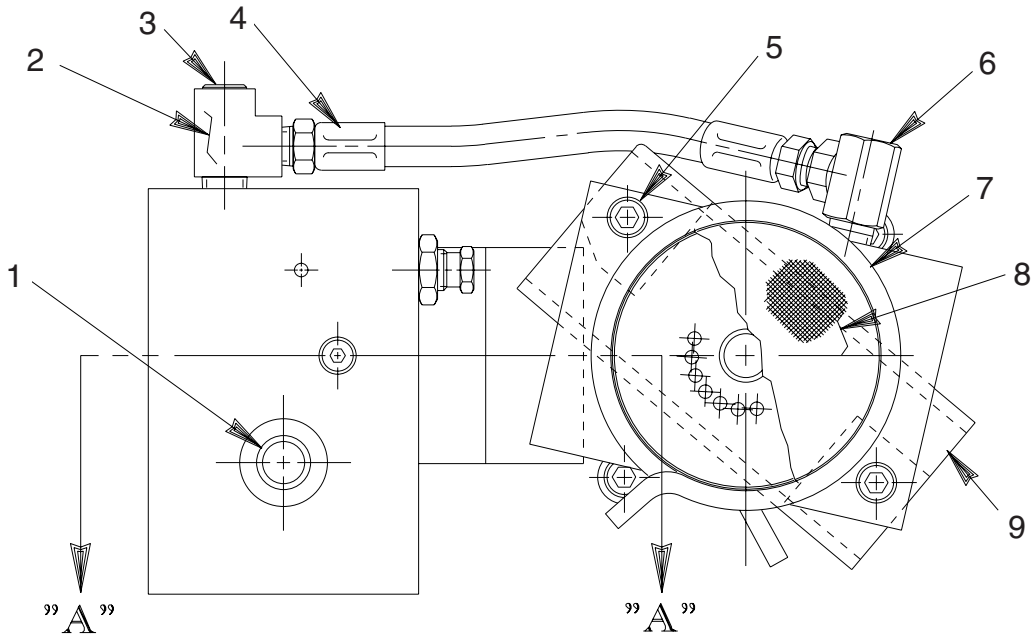
Speed Control Lever

1. Remove star washer, screw "A" and clip.
2. Install speed control lever (Item #45) as shown.
3. Reassemble star washer, clip, spring (Item #46), and screw "A" to control housing.
4. Tighten screw "A" until spring (Item #46) is solid; then back out screw "A" one full turn.

Item No.	Part No.	No. Req'd	Description
1	58231BK2	1	Roll Cage Frame
2	58232	1	Gasoline Engine
3	215757	4	Self-locking Flat Hd. Screw (1/4-20 UNC x 1" Lg.; Torque to 60/80 in. lbs.)
4	209798	2	Retaining Ring (1-3/16 Shaft)
5	10245	4	Washer (For 1/4 bolt)
6	10016	4	Cap Screw (1/4-20 UNC X 1" Lg; Torque to 100/120 in. lbs.)
7	209805	1	Ball Bearing
8	64241OR9	1	Reservoir
9	10136	1	Set Screw (Torque to 60/80 in. lbs.)
10	10519	1	Set Screw (1/4-20 UNC X 3/8 Lg.; Torque to 60/80 in. lbs.)
11	420428	1	Eccentric
12	12719	1	Wrought Washer
13	10807	1	Cap Screw (1/4-20 UNC X 1/2 Lg.; Torque to 60/80 in. lbs.)
14	10199	2	Hex. Nut (1/4-20 UNC)
15	12298	1	Roll Pin
16	420427	1	Rubber Pad (Note: Apply 3M adhesive #08031 to bottom of reservoir and pad.)
17	64245	1	Gerotor Housing
18	64246	1	Gerotor Housing
19	10922	1	O-ring (2-1/8 X 1-15/16 X 3/32)
20	304826	1	Gerotor
21	209794	1	Gerotor Drive Pin
22	350424	1	Gerotor Shaft
23	21846	1	Filter Support
24	304830	1	Oil Seal
25	12595	1	Washer (1-1/8 X 1/2 X .077 Thk.)
26	10022	4	Screw (1/4-20 UNC X 1-1/2 Lg.; Torque to 180/200 in. lbs.)
27	29786	1	Valve Adjusting Screw
28	10386	1	Nut (3/8-24 UNF)
29	11221	1	Compression Spring (1/4 O.D. X 1" Lg.)
30	15156	1	Pin (Note: Install tapered end toward spring.)
31	21278	1	Relief Valve Assembly
32	13229	1	Street Elbow
33	64247	1	Check Body
34	209795	1	Outlet Ball Stop
35	10268	2	O-ring (1/2 X 3/8 X 1/16)
36	11863	2	Backup Washer (1/2 X 3/8 X 1/16)
37	420424	1	Reservoir Gasket (Note: Apply gasket sealer on both sides of reservoir gasket.)
38	64242BK2	1	Cover Plate
39	11529	2	Screw
40	250710	1	Key
41	202505	1	Bushing
42	200395	1	Gasket
43	11956	4	Soc. Hd. Cap Screw (1/4-20 UNC X 3" Lg.)
44	250711	1	Engine Gasket (Note: Apply gasket sealer on engine face and bottom side of gasket.)
45	250850	1	Lever
46	10446	1	Spring (19/64 O.D. x 7/16 Lg.)



BOTTOM VIEW AND SECTION A-A



SECTION A-A

Note: Shaded areas reflect last revision(s) made to this form.

Item No.	Part No.	No. Req'd	Description
1	250630	1	Drain Tube
2	19463	1	Tee
3	10427	1	Pressure Plug (1/8 NPTF)
4	304819	1	Hose Assembly
5	10854	2	Cap Screw (3/16 O.D. X 1" Lg.; Torque to 60/80 in lbs.)
6	14440	1	Straight Fitting
7	11461	1	Hose Clamp
8	21608	1	Filter
9	420426	1	Gerotor Housing Bracket
10	10273	1	O-ring (13/16 X 5/8 X 3/32)
11	10265	1	O-ring (5/16 X 3/16 X 1/16)
12	45559	1	Block
13	304820	1	Piston

Item No.	Part No.	No. Req'd	Description
14	45560	1	Block
15	12223	3	Ball (3/16 Dia.)
16	10445	2	Compression Spring (5/32 O.D. X 3/4 Lg.)
17	24549	2	Valve Guide
18	14763	1	O-ring (7/16 X 5/16 X 1/16)
19	15130	2	Plug (1/16 NPTF)
20	12149	1	Pin (1/8 Dia. X 3/4 Lg.)
21	16057	1	Compression Spring (3/16 O.D. X 1" Lg.)
22	10442	1	Washer (3/8 X 1/4 X 1/32)
23	209787	1	Replaceable Seat
24	209797	1	Hollow Lock Screw (Torque to 180/200 in. lbs.)

HYDRAULIC SCHEMATIC

