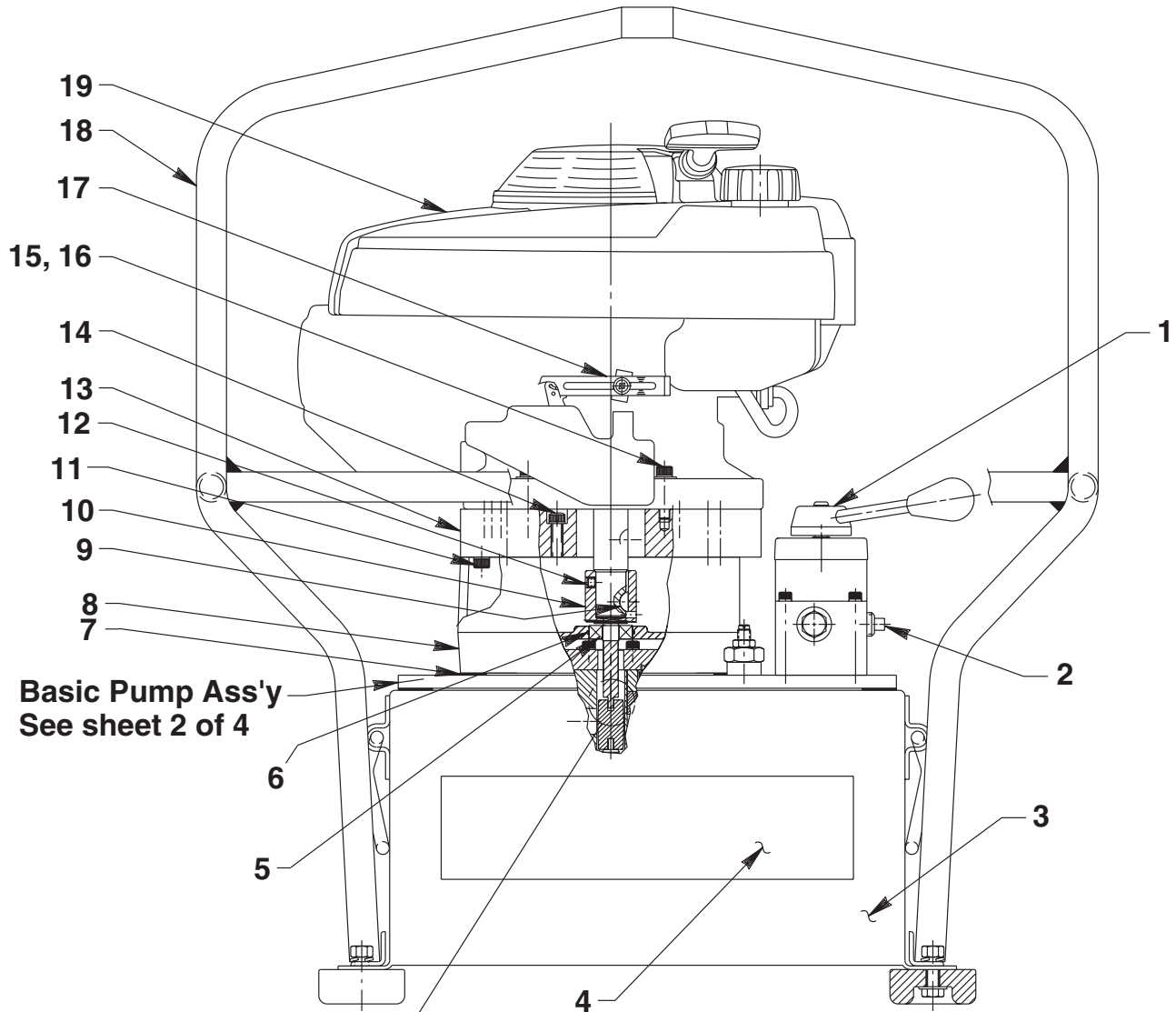


**MODEL B
GAS HYDRAULIC PUMP**

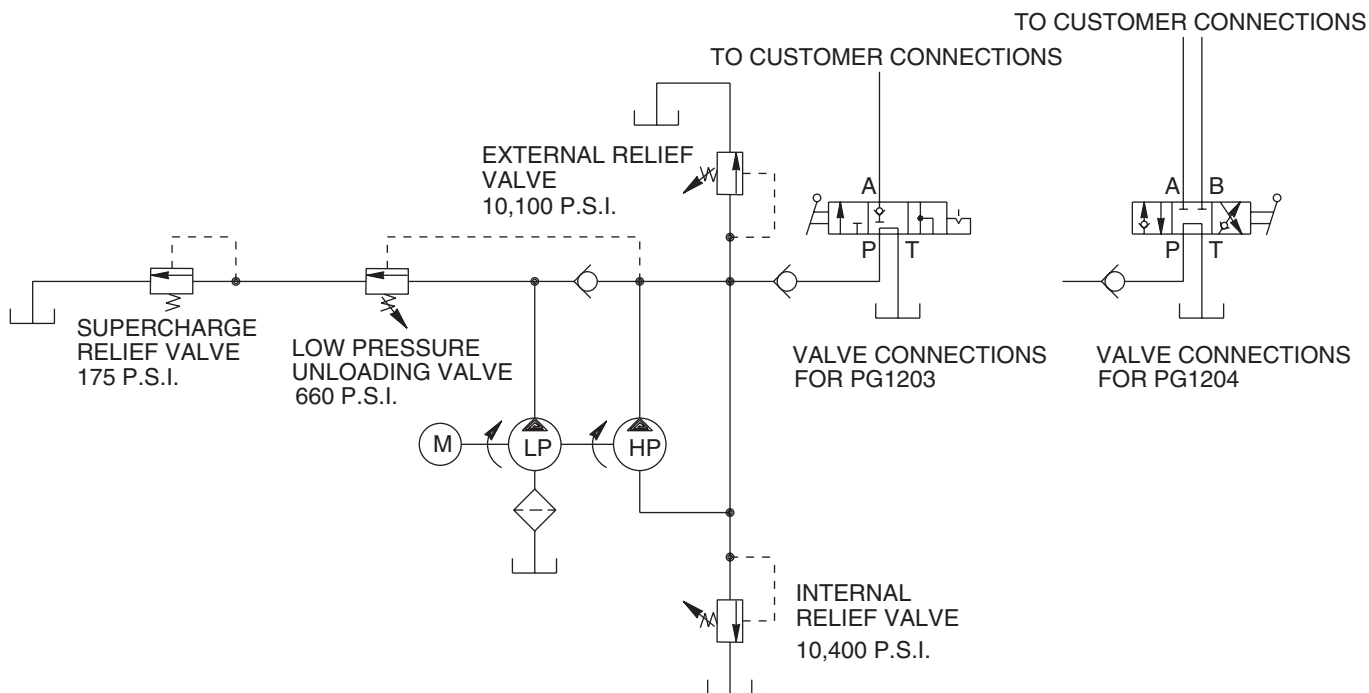


.010
.040
(DISTANCE BETWEEN BOTTOM OF
SHAFT EXTENSION #420052 AND
BOTTOM OF SLOT IN COUPLING #251206)

Item No.	Part No.	No. Req'd	Description
1	9520	1	Valve Assembly (3 pos./3-way; For PG1203; See Form No.'s 101377 & 102527)
	9506	1	Valve Assembly (3 pos./4-way; For PG1204; See Form No.'s 100628 & 102527)
2	11127	1	Pipe Plug (For PG1203)
	11127	2	Pipe Plug (For PG1204)
3	40137OR9	1	Reservoir (5 gal.)
4	309221	2	Trade Name Decal
5	10439	1	Radial Ball Bearing
6	15124	1	O-ring (1-3/8 x 1-1/4 x 1/16)
7	40987	1	Gasket
8	50384WH2	1	Motor Base
9	10945	1	Woodruff Key (No. 6)
10	420052	1	Shaft Extension
11	251566	1	Cap Screw (5/16-24 UNF x 2" Lg.)
12	10556	1	Hex. Soc. Hd. Set Screw (1/4-20 UNC x 1/4 Lg.)
13	420200	1	Gas Engine Mounting Plate
14	250427	4	Soc. Hd. Cap Screw (5/16-18 UNC x 5" Lg.)
15	10948	2	Soc. Hd. Cap Screw (5/16-18 UNC x 1-1/4 Lg.)
16	10257	2	Flat Washer (5/16 I.D.)
17	17596	1	Slide Control
18	RC5	1	Roll Cage Frame (See Form No. 102641)
19	420202	1	Gasoline Engine (Honda 5.5 H.P.)

Note: Removed "NOTE" at last revision(s) made to this form.

HYDRAULIC SCHEMATIC



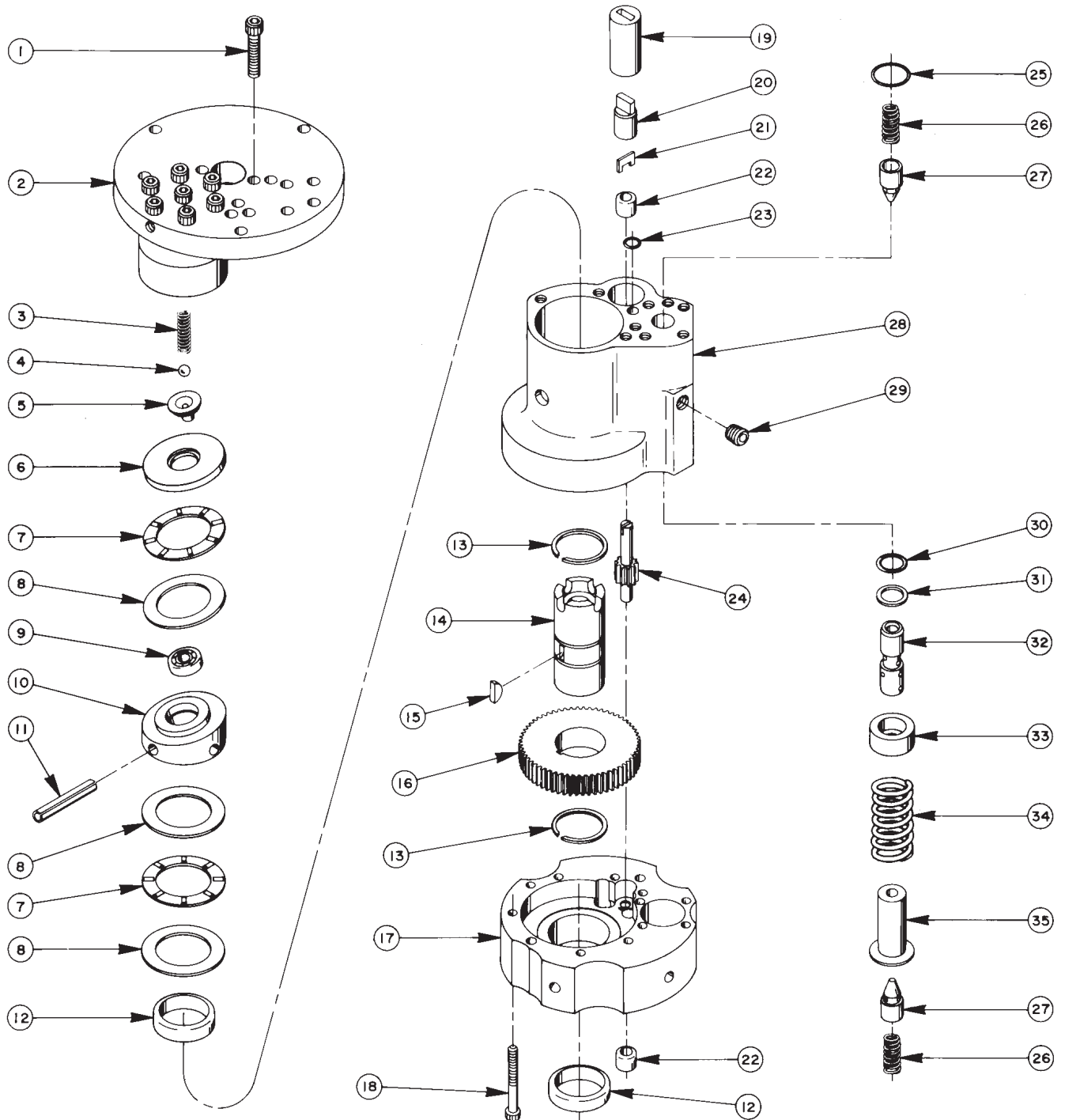
Parts List, Form No. 108088, Back sheet 2 of 4

Item No.	Part No.	No. Req'd	Description
1	10177	10	Machine Screw (1/4-20 UNC x 3/4 Lg.)
2	11173	1	Fitting
3	20771	1	Poppet
4	10266	1	O-ring (3/8 x 1/4 x 1/16)
5	10015	2	Soc. Hd. Cap Screw (1/4-28 UNF x 1" Lg.)
6	21278	1	Relief Valve (Set at 10,100/10,700 PSI)
7	10016	3	Cap Screw (1/4-20 UNC X 1" Lg.)
8	21305	1	Valve Cap
9	21306	1	Spring Guide
10	22362	1	Valve Adjusting Screw (Set at 10,000/10,200 PSI)
11	10386	1	Hex Nut (3/8-24 UNF)
12	10268	2	O-ring
14	20787	1	Valve Connector
15	11863	1	Backup Washer (11/16 x 1/2 x .048)
16	50058WH2	1	Cover Plate
17	58506	1	Reservoir Gasket
18	21484	1	Washer
19	10430	2	Tube Sleeve
20	10431	2	Tube Nut
21	10495	1	Compression Spring (.450 x 1-5/8 Lg.)
22	22361	1	External Pressure Valve Body
23	21046	1	Valve Stem
24	11342	1	Tube Nut
25	11174	1	Tube Sleeve
26	20776	1	Outlet Check Body
27	10425	1	Compression Spring (3/8 O.D. x 3/4 Lg.)
28	10261	1	Copper Washer
29	20770	1	Valve Connector
30	21495	1	Oil Line Tube
31	21345	1	Filter Assembly (Includes o-ring, Item #32)
32	10266	1	O-ring (3/8 X 1/4 X 1/16)
33	22033	1	Suction Line
34	10528	1	Straight Fitting
35	22399	1	External Pressure Regulator Tube

PARTS INCLUDED BUT NOT SHOWN

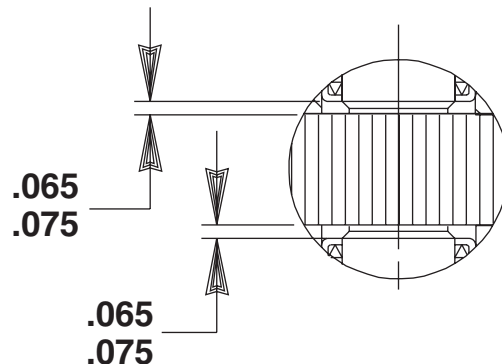
200609	1	Drain Tube
--------	---	------------

BASIC PUMP ASSEMBLY



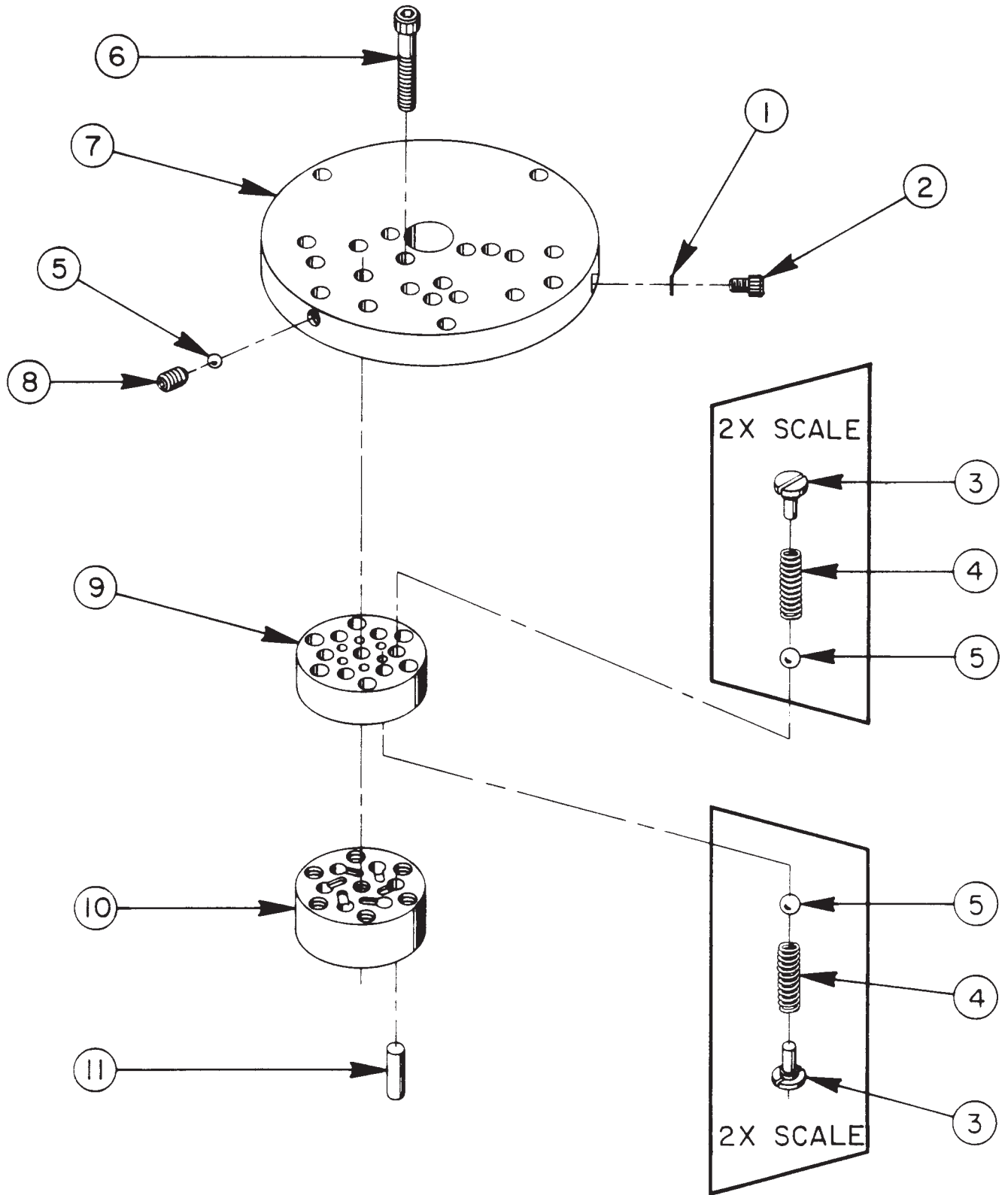
Item No.	Part No.	No. Req'd	Description
1	10020	9	Soc. Hd. Cap Screw (1/4-20 UNC x 1-1/4 Lg; Torque to 170/180 in. lbs.)
2	33114	1	High Pressure Pump Assembly (See sheet 4 of 4)
3	10361	1	Compression Spring (1/4 O.D. x 1" Lg.)
4	10375	1	Steel Ball (1/4 dia.)
5	23547	1	Bearing Top Plate
6	23548	1	Top Plate
7	11228	2	Thrust Bearing
8	11813	3	Bearing Race
9	11814	1	Ball Bearing
10	23549	1	Angle Plate
11	11955	1	Roll Pin (1/4 dia. x 3/4 Lg.)
12	11064	2	Needle Bearing
13	11261	2	Retaining Ring
14	23556	1	Shaft
15	11821	1	Woodruff Key
16	23557	1	Gear
17	30533	1	Pump End Plate
18	10001	12	Soc. Hd. Cap Screw (#10-32 UNF x 1-3/4 Lg.; Torque to 50 in. lbs.)
19	251206	1	Coupling
20	21092	1	Adapter
21	21093	1	Key
22	11199	2	Needle Thrust Bearing (See note below)
23	10266	1	O-ring (1/4 x 3/8 x 1/16)
24	21272	1	Drive Gear
25	10303	1	O-ring (3/4 x 7/8 x 1/16)
26	10425	2	Compression Spring (3/8 O.D. x 3/4 Lg.)
27	20771	2	Poppet
28	40120	1	Pump Body
29	10427	1	Pipe Plug (1/8 NPTF)
30	10271	1	O-ring (11/16 x 1/2 x 3/32)
31	12389	1	Teflon Backup Washer (11/16 x 1/2 x .048)
32	20849	1	Spool
33	23255	1	Spring Guide
34	10426	1	Compression Spring (1" O.D. x 1-13/16 Lg.)
35	23256	1	Spring Guide

NEEDLE BEARING INSTALLATION SPECIFICATIONS



When replacing the needle bearings on the drive gear of the basic pump, the dimensions shown must be as specified.

HIGH PRESSURE PUMP ASSEMBLY

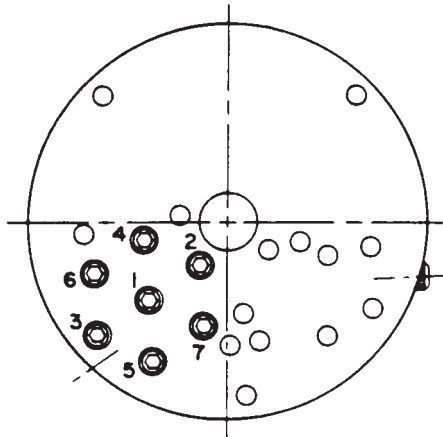


33114 PUMP ASSEMBLY

6 pistons -- 9/32 dia.

Item No.	Part No.	No. Req'd	Description
1	10442	1	Copper Washer (3/8 x 1/4 x 1/32)
2	10002	1	Soc. Hd. Cap Screw (1/4-20 UNC x 3/8 Lg.; Torque to 140/160 in. lbs.)
3	24549	12	Valve Guide
4	10445	12	Compression Spring (.164 O.D. x .718 Lg.)
5	12223	13	Steel Ball (3/16 dia.)
6	10023	7	Soc. Hd. Cap Screw (1/4-28 UNF x 1-1/2 Lg.; Torque to 170/180 in. lbs.; See note below)
7	50411	1	Top Plate
8	10519	1	Soc. Set Screw (1/4-20 UNC x 3/8 Lg.; Torque to 65/70 in. lbs.)
9	41048	1	Valve Head
10	41063	1	Pump Barrel
11	21628	6	Piston

BOLT TIGHTENING SEQUENCE



**NOTE: Assemble in sequence shown.
Lubricate under head and on threads.
Torque to 180 in. lbs.**