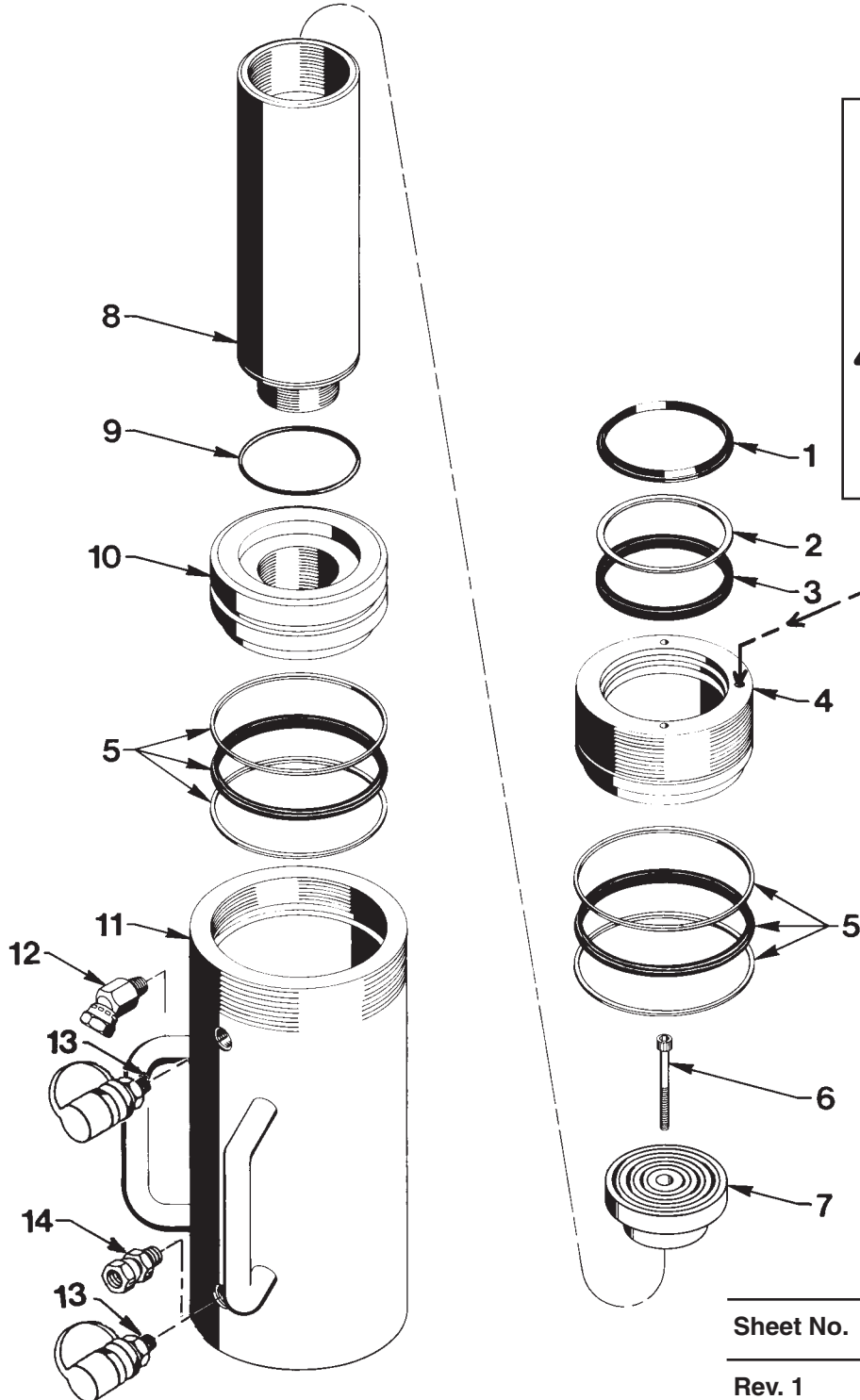


Parts List for:

52352
RD2006
RD20013

**DOUBLE -ACTING
HYDRAULIC CYLINDER**
Max. Capacity: 206.4 Tons at 10,000 PSI



Double-acting
Cylinder
Relief Valve

See important
DANGER
statement
on back of
sheet 1 of 1



DANGER: To help avoid possible serious personal injury or death,

- In the event that the cylinder retract port is ever restricted or plugged, a double-acting cylinder relief valve will help prevent excessive pressure from building in the cylinder. **DO NOT** attempt to adjust or service this relief valve! If oil leakage is detected from this relief valve, discontinue use of the cylinder immediately and contact Power Team or OTC Technical Services. Only Power Team or OTC Authorized Hydraulic Service Centers should service this relief valve.

Item No.	Part No.	No. Req'd	Description
1	*19277	1	Rod Wiper
2	*19347	1	Backup Washer (5-1/8 X 4-7/8 X 1/8, -249)
3	*19278	1	U-cup
4	51299	1	Retainer Nut (Torque to 100 ft. lbs.)
5	*19273	2	T-seal & Backup Rings (Smooth side of backup ring must be against seal)
6	12300	1	Cap Screw (3/8-16 X 4" Lg.)
7	38321	1	Serrated Insert
8	51300	1	Piston Rod (For RD2006)
	51301	1	Piston Rod (For RD20013 & 52352)
9	*19274	1	O-ring (4-7/8 X 4-5/8 X 1/8, -247)
10	51298	1	Piston Head (Torque to 200 ft. lbs.)
11	51302	1	Cylinder Body (For RD2006)
	51303	1	Cylinder Body (For RD20013 & 52352)
12	10648	1	45° Elbow Fitting (For 52352)
13	9796	2	Ram Half Coupler w/Dust Cap (For RD2006 & RD20013)
14	10469	1	Straight Fitting (For 52352)

PARTS INCLUDED BUT NOT SHOWN

*37782	1	Warning Decal
204588	1	Trade Name Decal (For RD2006)
204589	1	Trade Name Decal (For RD20013)

Part numbers marked with an (*) asterisk are contained in Repair Kit No. 300008.

Refer to any operating instructions included with this product for detailed information about operation, testing, disassembly, reassembly, and preventive maintenance.

Items found in this parts list have been carefully tested and selected. **Therefore: Use only genuine replacement parts!**

Additional questions can be directed to our Technical Services Department.

Note: Shaded areas reflect last revision(s) made to this form.