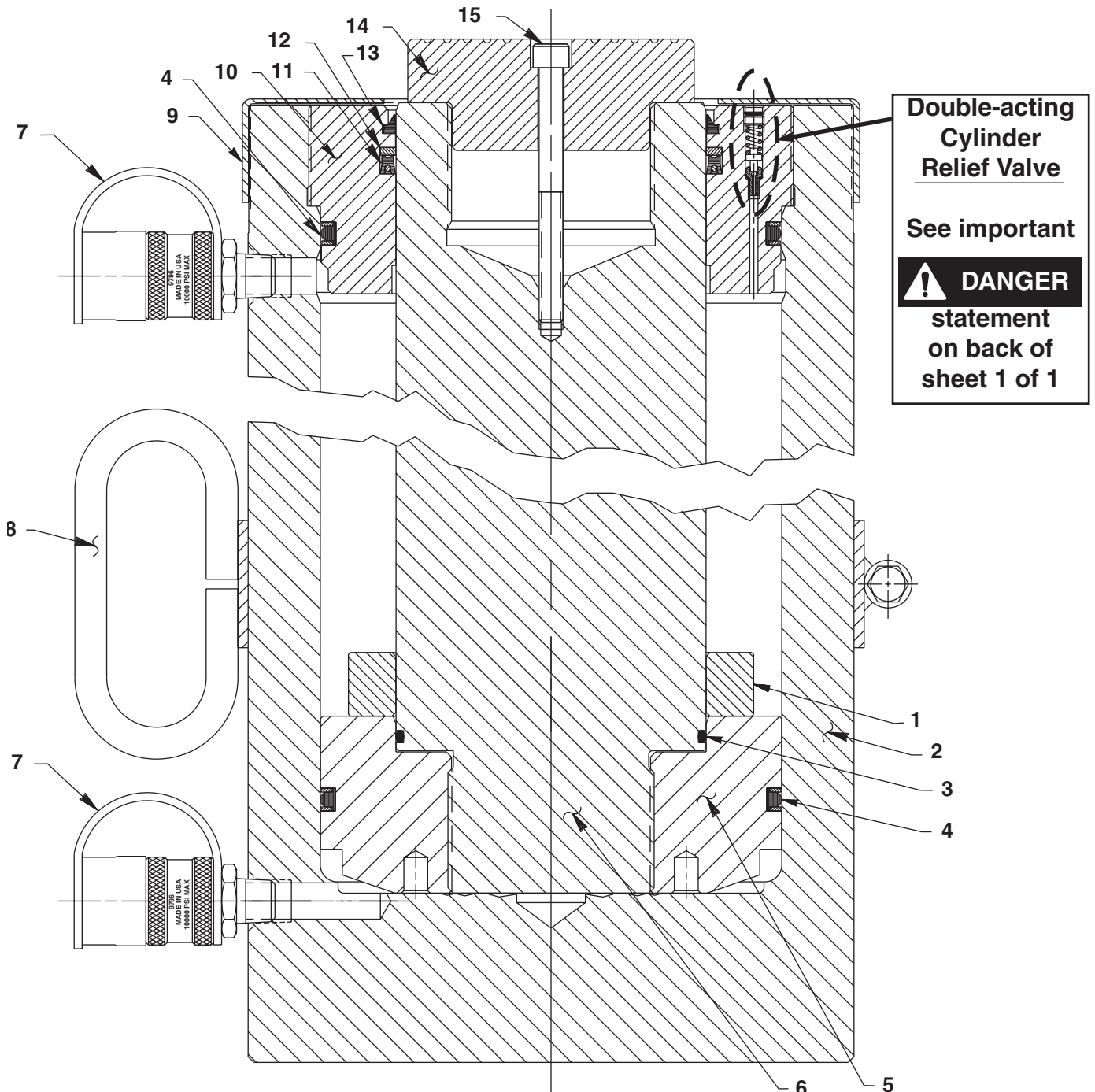


**MODEL A**  
**HYDRAULIC CYLINDER**  
Max. Capacity: 206.4 Ton at 10,000 PSI





To help avoid possible serious personal injury or death,

- In the event that the cylinder retract port is ever restricted or plugged, a double-acting cylinder relief valve will help prevent excessive pressure from building in the cylinder. **DO NOT** attempt to adjust or service this relief valve! If oil leakage is detected from this relief valve, discontinue use of the cylinder immediately and contact Power Team Technical Services. Only Power Team Authorized Hydraulic Service Centers should service this relief valve.

Item No.	Part No.	No. Req'd	Description
1	421883	1	Spacer
2	59364	1	Cylinder Body
3	*19274	1	O-ring (4.87 x 4.62 Urethane)
4	*19273	2	T-seal (7.25 x 6.75 x .38 L)
5	51298	1	Piston Head
6	59363	1	Piston Rod
7	9796	2	Cylinder Half Quick Coupler
8	58409OR9	1	Cylinder Lift Handle
9	421279	1	Thread Protector
10	51299	1	Retainer Nut (3/8-24)
11	*19278	1	U-cup (5.38 x 4.88 x .25 H)
12	*19347	1	Backup Washer (5.38 x 4.88)
13	*19277	1	Rod Wiper (5.31 x 4.88 Urethane)
14	38321	1	Serrated Insert
15	12300	1	Soc. Hd. Screw (3/8-16 x 4)

**PARTS INCLUDED BUT NOT SHOWN**

37782	1	Warning Decal
351982	1	Power Team Trade Name Decal

Part numbers marked with an asterisk (\*) are contained in Repair Kit No. 300008.

Refer to any operating instructions included with this product for detailed information about operation, testing, disassembly, reassembly, and preventive maintenance.

Items found in this parts list have been carefully tested and selected. **Therefore: Use only genuine Power Team replacement parts!**

Additional questions can be directed to our Technical Services Department.