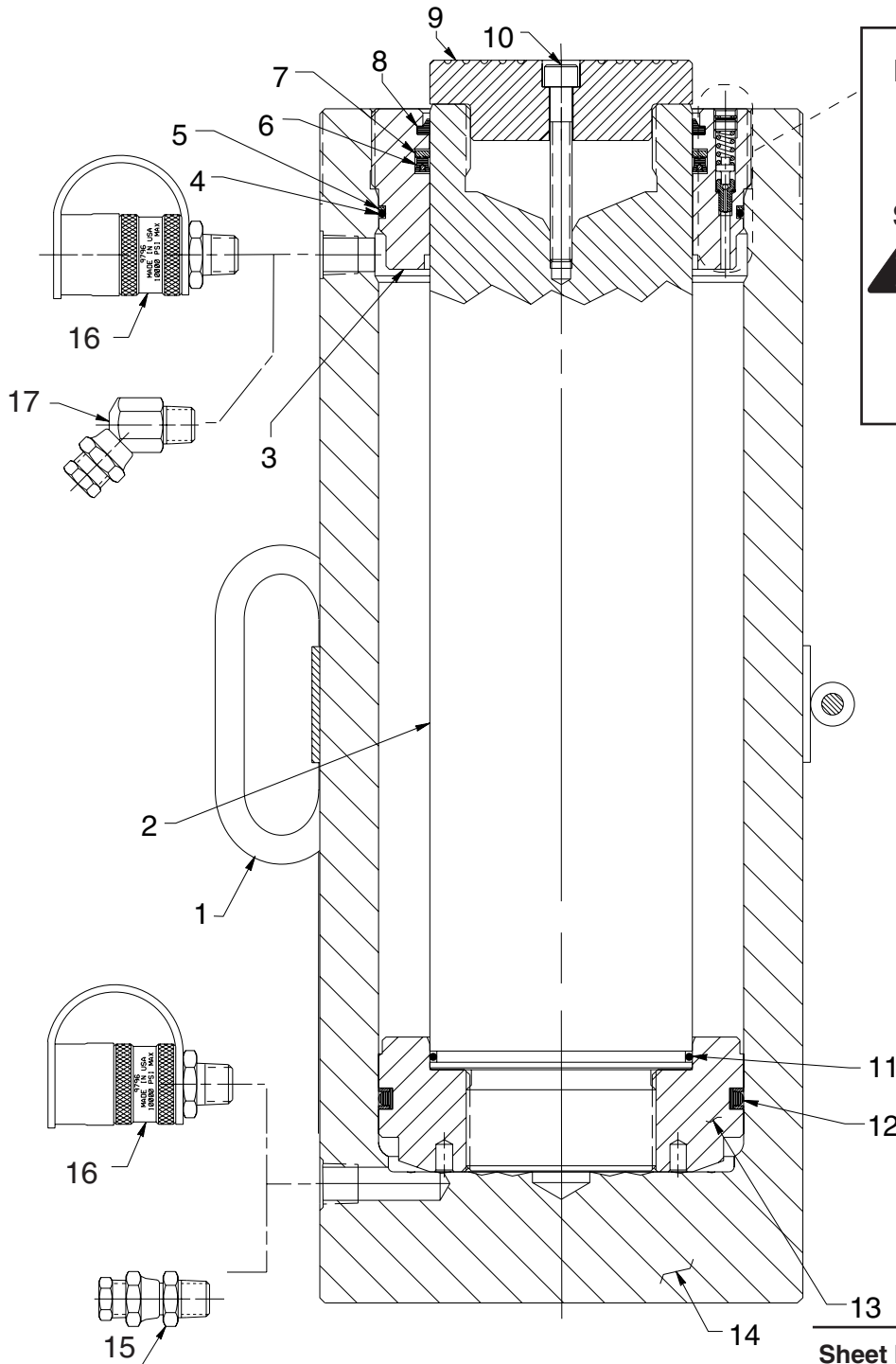


Parts List for:

51684  
RD1506  
RD1506-VLCEK  
RD15013  
RD15013-VLCEK

**MODEL B  
DOUBLE-ACTING  
HYDRAULIC CYLINDER**  
Max. Capacity: 153.4 Tons at 10,000 PSI



**Double-acting  
Cylinder  
Relief Valve**

See important  
**! DANGER**  
statement  
on back of  
sheet 1 of 1



**DANGER:** To help avoid possible serious personal injury or death,

- In the event that the cylinder retract port is ever restricted or plugged, a double-acting cylinder relief valve will help prevent excessive pressure from building in the cylinder. **DO NOT** attempt to adjust or service this relief valve! If oil leakage is detected from this relief valve, discontinue use of the cylinder immediately and contact Power Team or OTC Technical Services. Only Power Team or OTC Authorized Hydraulic Service Centers should service this relief valve.

Item No.	Part No.	No. Req'd	Description
1	421939OR9	1	Cylinder Lift Handle Assembly (For RD1506, RD1506-VLCEK, RD15013 & RD15013-VLCEK)
2	51313	1	Piston Rod (For RD1506 & RD1506-VLCEK)
	51314	1	Piston Rod (For 51684, RD15013 & RD15013-VLCEK)
3	51312	1	Retainer Nut (Torque to 90/110 ft. lbs.)
4	*13425	1	O-ring (6-1/4 x 6" x 1/8)
5	*19298	1	Backup Washer (6-1/4 x 6" x .048)
6	*19293	1	U-cup
7	*19349	1	Backup Washer (5" x 4-1/2 x .105)
8	*207497	1	Rod Wiper
9	38425	1	Serrated Insert (For 51684, RD1506 & RD15013)
	350582	1	Load Cap (For RD1506-VLCEK & RD15013-VLCEK)
10	17816	1	Cap Screw (3/8-16 UNC X 3" Lg.; For 51684, RD1506 & RD15013)
11	*19295	1	O-ring (2-1/2 x 2-1/4 x 1/8)
12	*19296	1	Piston T-seal w/ Backup Rings
13	51311	1	Piston Head (Use Loctite No. 277 when assembling Piston Head to Piston Rod [Item #2]. Torque to 200 ft. lbs.)
14	64455	1	Cylinder Body (For RD1506 & RD1506-VLCEK)
	64448	1	Cylinder Body (For 51684, RD15013 & RD15013-VLCEK)
16	9796	2	Ram Half Coupler w/ Plastic Dust Cap (For RD1506, RD1506-VLCEK, RD15013 & RD15013-VLCEK)
15	10469	1	Fitting (For 51684)
17	10648	1	Fitting (For 51684)

**PARTS INCLUDED BUT NOT SHOWN**

37782	1	Warning Decal
350718	1	Trade Name Decal (For RD1506 & RD1506-VLCEK)
350719	1	Trade Name Decal (For RD15013 & RD15013-VLCEK)
421271	1	Thread Protector (For RD1506 & RD15013)



Part numbers marked with an asterisk (\*) are contained in Repair Kit No. 300007.

Refer to any operating instructions included with this product for detailed information about operation, testing, disassembly, reassembly, and preventive maintenance.

Items found in this parts list have been carefully tested and selected. **Therefore: Use only genuine replacement parts!**

Additional questions can be directed to our Technical Services Department.

Note: Shaded areas reflect last revision(s) made to this form.