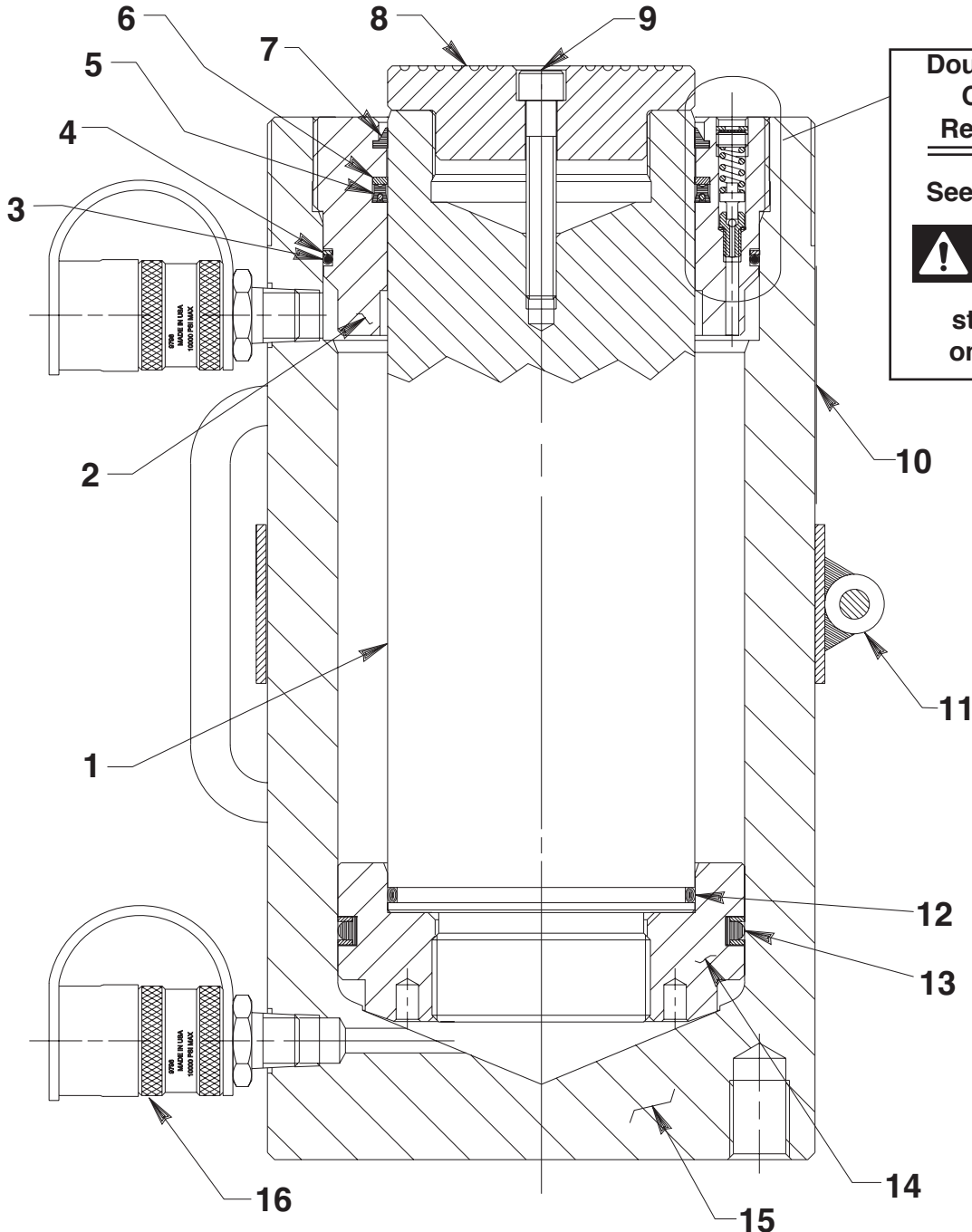


**MODEL B, AND MODEL C  
DOUBLE-ACTING  
HYDRAULIC CYLINDER**



**Double-acting  
Cylinder  
Relief Valve**

See important

**! DANGER**

statement  
on page 2.

**Max. Capacity: 103.1 Tons At 10,000 PSI**



**DANGER** : To help avoid possible serious personal injury or death,

- In the event that the cylinder retract port is ever restricted or plugged, a double-acting cylinder relief valve will help prevent excessive pressure from building in the cylinder. **DO NOT** attempt to adjust or service this relief valve! If oil leakage is detected from this relief valve, discontinue use of the cylinder immediately and contact **Power Team Technical Services**. Only Power Team Authorized Hydraulic Service Centers should service this relief valve.

Item No.	Part No.	No. Req'd	Description
1	51294	1	Piston Rod (For RD1006)
	51290	1	Piston Rod (For RD10013)
2	51289	1	Retainer Nut, Model "B" (Torque to 150 ft. lbs. min.)
	51289-DEEP	1	Retainer Nut, Model "C" (Torque to 150 ft. lbs. min.)
3	*10299	1	O-ring (5-1/2 x 5-1/4 x 1/8)
4	*19270	1	Backup Washer (5-1/2 x 5-1/4 x .048)
5	*19178	1	U-cup, Model "B"
	*19178-DEEP	1	U-cup, Model "C"
6	*19337	1	Backup Washer (4-1/8 x 3-7/8 x .070)
7	*205775	1	Rod Wiper
8	38408	1	Serrated Insert
9	10435	1	Cap Screw (3/8-16 UNC x 2-1/2 Lg.)
10	350949	1	Trade Name Decal (For RD1006)
	350950	1	Trade Name Decal (For RD10013)
11	420376OR9	1	Cylinder Lift Handle Assembly
12	*11924	1	O-ring (3-7/8 x 3-5/8 x 1/8)
13	*19207	1	T-seal with Backup Ring
14	43271	1	Piston Head (Use Loctite No. 277 when assembling piston head to piston rod [Item #1])
15	64639	1	Cylinder Body (For RD1006)
	64640	1	Cylinder Body (For RD10013)
16	9796	2	Ram Half Couplers w/ Plastic Dust Cap

**PARTS INCLUDED BUT NOT SHOWN**

*37782	1	Warning Decal
421278	1	Thread Protector (For RD1006)

Part numbers marked with an asterisk (\*) are contained in Repair Kit No. 300006.

Refer to any operating instructions included with this product for detailed information about operation, testing, disassembly, reassembly, and preventive maintenance.

Items found in this parts list have been carefully tested and selected. **Therefore: Use only genuine Power Team replacement parts!**

Additional questions can be directed to our Technical Services Department.