

SPX Hydraulic Technologies
5885 11th Street
Rockford, IL 61109-5556
Phone: (815) 874-5556
Fax: (815) 874-7853
Tech Services: (800) 477-8326
Fax: (800) 765-8326
Order Entry: (800) 541-1418
Fax: (800) 288-7031
powerteam.com

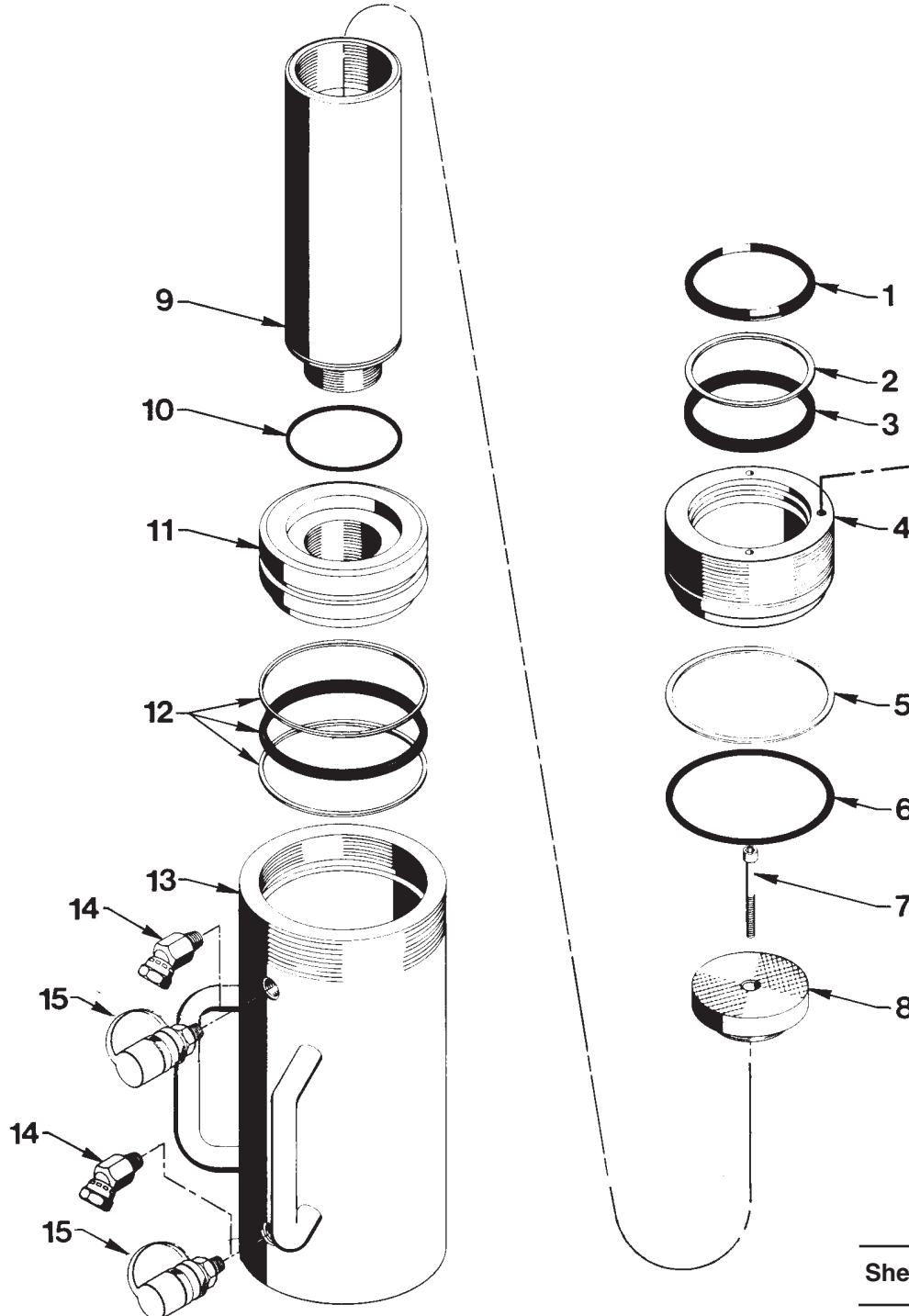
SPX OTC
655 Eisenhower Drive
Owatonna, MN 55060-0995 USA
Phone: (507) 455-7000
Tech. Serv.: (800) 533-6127
Fax: (800) 955-8329
Order Entry: (800) 533-6127
Fax: (800) 283-8665
International Sales: (507) 455-7223
Fax: (507) 455-7063

Parts List for:

7RD1006
51683
RD1006

RD1006-ACE
RD1006-HUR
RD10013

Model A
DOUBLE-ACTING
HYDRAULIC CYLINDER
Max. Capacity: 103.1 Tons at 10,000 PSI



**Double-acting
Cylinder
Relief Valve**

See important
! DANGER
statement
on back of
sheet 1 of 1

⚠ DANGER: To help avoid possible serious personal injury or death,

● In the event that the cylinder retract port is ever restricted or plugged, a double-acting cylinder relief valve will help prevent excessive pressure from building in the cylinder. **DO NOT** attempt to adjust or service this relief valve! If oil leakage is detected from this relief valve, discontinue use of the cylinder immediately and contact **Power Team** or **OTC Technical Services**. Only **Power Team** or **OTC Authorized Hydraulic Service Centers** should service this relief valve.

Item No.	Part No.	No. Req'd	Description
1	*205775	1	Rod Wiper
2	*19337	1	Backup Washer (4-1/8 X 3.875 X .070)
3	*19178	1	U-cup
4	51289	1	Retainer Nut (Torque to 150 ft. lbs. min.)
5	*19270	1	Backup Washer (5-1/2 X 5-1/4 X .048)
6	*10299	1	O-ring (5 1/2 X 5 1/4 X 1/8)
7	10435	1	Socket Head Cap Screw (3/8-16 UNC X 2-1/2 Lg.; For all models except RD1006-ACE & RD1006-HUR)
8	38408	1	Serrated Insert (For all models except RD1006-ACE & RD1006-HUR)
9	51294	1	Piston Rod (For RD1006 & 7RD1006)
	51290	1	Piston Rod (For RD10013 & 51683)
	58414	1	Piston Rod (For RD1006-ACE & RD1006-HUR)
10	*11924	1	O-ring (3 7/8 X 3 5/8 X 1/8)
11	43271	1	Piston Head (Use Loctite 277 when assembling this piston head to the piston rod. Torque to 200 ft. lbs. min.)
12	*19207	1	T-seal & Backup Rings (Smooth side of Backup Ring must be against seal.)
13	51268	1	Cylinder Body (For RD1006 & 7RD10006)
	60548	1	Cylinder Body (For RD10013 & 51683)
	64441	1	Cylinder Body (For RD1006-ACE & RD1006-HUR)
14	10648	2	45° Elbow Fitting (For 51683)
15	9796	2	Quick Coupler Ram Half w/Dust Cap (For RD1006, RD10013 & RD10020)
	11127	2	Fitting, Plug (3/8 NPTF; For RD1006-ACE & RD1006-HUR)
	210916	2	Quick Coupler (For 7RD1006)

PARTS INCLUDED BUT NOT SHOWN

*37782	1	Warning Decal
204564	1	Trade Name Decal (For RD1006)
204563	1	Trade Name Decal (For RD10013)
206395	1	Trade Name Decal (For 51683)
210853	1	Trade Name Decal (For 7RD1006)

Part numbers marked with an asterisk (*) are contained in Repair Kit No. 3000120.

Refer to any operating instructions included with this product for detailed information about operation, testing, disassembly, reassembly, and preventive maintenance.

Items found in this parts list have been carefully tested and selected. **Therefore: Use only genuine replacement parts!**

Additional questions can be directed to our Technical Services Department.