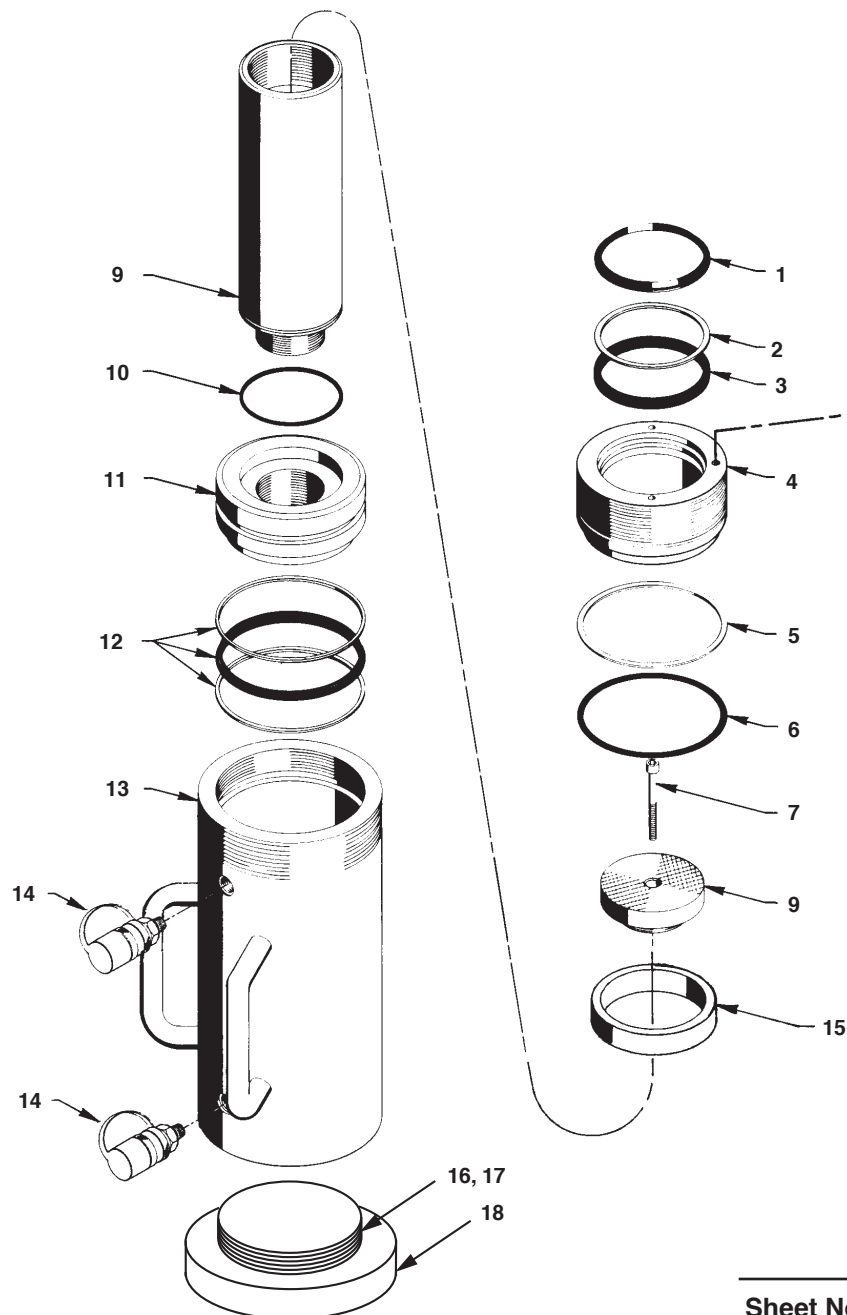



**Model B**  
**DOUBLE-ACTING**  
**HYDRAULIC CYLINDER**  
Max. Capacity: 103.1 Tons at 10,000 PSI



**Double-acting  
Cylinder  
Relief Valve**

See important  
 **DANGER**  
statement  
on back of  
sheet 1 of 1

 **DANGER:** To help avoid possible serious personal injury or death,

? In the event that the cylinder retract port is ever restricted or plugged, a double-acting cylinder relief valve will help prevent excessive pressure from building in the cylinder. **DO NOT** attempt to adjust or service this relief valve! If oil leakage is detected from this relief valve, discontinue use of the cylinder immediately and contact **Power Team** or **OTC Technical Services**. Only **Power Team** or **OTC Authorized Hydraulic Service Centers** should service this relief valve.

Item No.	Part No.	No. Req'd	Description
1	*205775	1	Rod Wiper
2	*19337	1	Backup Washer (4-1/8 X 3.875 X .070)
3	*19178-Deep	1	U-cup
4	51289	1	Retainer Nut (Torque to 150 ft. lbs. min.)
5	*19270	1	Backup Washer (5-1/2 X 5-1/4 X .048)
6	*10299	1	O-ring (5 1/2 X 5 1/4 X 1/8)
7	10435	1	Socket Head Cap Screw (3/8-16 UNC X 2-1/2 Lg.)
8	38408	1	Serrated Insert
9	58382	1	Piston Rod
10	*11924	1	O-ring (3 7/8 X 3 5/8 X 1/8)
11	43271	1	Piston Head (Use Loctite 277 when assembling this piston head to the piston rod. Torque to 200 ft. lbs. min.)
12	*19207	1	T-seal & Backup Rings (Smooth side of Backup Ring must be against seal.)
13	2000190	1	Cylinder Body
14	9796	2	Quick Coupler Ram Half w/Dust Cap
15	251145	1	Spacer (For RD10020)
16	19270	1	Back-up
17	10299	1	O-Ring
18	200191	1	Nut Retainer

#### PARTS INCLUDED BUT NOT SHOWN

*37782	1	Warning Decal
350681	1	Trade Name Decal
42037OR9	1	Handle Assembly
421278	1	Thread Protector

Part numbers marked with an asterisk (\*) are contained in Repair Kit No. 300006.

Refer to any operating instructions included with this product for detailed information about operation, testing, disassembly, reassembly, and preventive maintenance.

Items found in this parts list have been carefully tested and selected. **Therefore: Use only genuine replacement parts!**

Additional questions can be directed to our Technical Services Department.