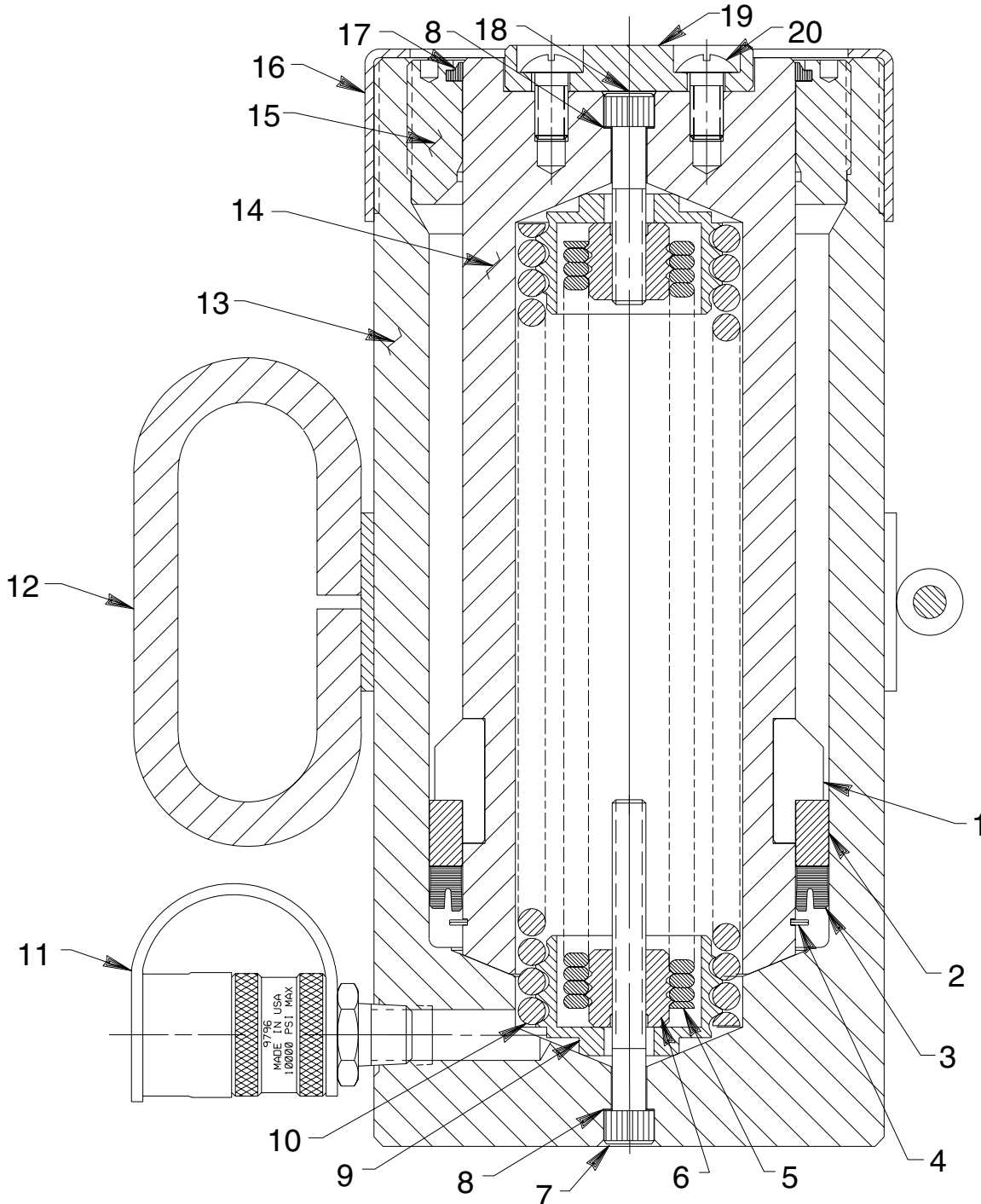


SINGLE-ACTING, SPRING RETURN HYDRAULIC CYLINDER

Max. Capacity: 79.5 Ton at 10,000 PSI



Note: Shaded areas reflect last revision(s) made to this form.

Sheet No. 1 of 2

Rev. 1

Date: 12 Dec. 1997

Parts List, Form No. 101338, Back sheet 1 of 1

Item No.	Part No.	No. Req'd	Description
1	350695	1	Split Keeper Ring
2	251200	1	Piston Bearing
3	*251203	1	U-cup
	†252038	1	U-cup (Viton)
4	†*251202	1	Retaining Ring
5	201475	1	Extension Spring (For C756C)
	201477	1	Extension Spring (For C7513C)
6	201417	2	Spring Retainer (Assemble with counterbore as shown [both ends])
7	16110	1	Cap Screw (3/8-16 UNC X 3-1/2 Lg.; Torque to 400/425 in. lbs.)
8	†*12042	2	Copper Washer (9/16 X 3/8 X 1/32)
9	36084	2	Spring Retainer
10	201474	1	Extension Spring (For C756C)
	201476	1	Extension Spring (For C7513C)
11	9796	1	Ram Half Coupler w/ Plastic Dust Cap (For all except C7513-S)
12	420692OR9	1	Handle Assembly (For all except C7513-S)
13	58402	1	Cylinder Body (For C756C)
	58400	1	Cylinder Body (For C7513C & C7513-S)
	58675	1	Cylinder Body (For C7513C-LANCO [(4) 3/4-10 UNC-2B Base mounting holes])
14	58403	1	Piston Rod (For C756C)
	58401	1	Piston Rod (For C7513C & C7513-S)
15	420683	1	Retainer Nut
16	420684	1	Thread Protector
17	*250008	1	Rod Wiper
	†252039	1	Rod Wiper (Viton)
18	11531	1	Cap Screw (3/8-16 UNC X 2" Lg.; Torque to 400/425 in. lbs. For C756C)
	13196	1	Cap Screw (3/8-16 UNC x 4-1/2 Lg.; Torque to 400/425 in. lbs. For C7513C)
19	36161	1	Ram Saddle (For all except C7513-S)
20	16112	2	Machine Screw (3/8-16 UNC X 3/4 Lg.)

} Springs must not extend beyond threads.

PARTS INCLUDED BUT NOT SHOWN

37782	1	Warning Decal (For C7513C, C7513C-LANCO & C7513-S)
†*203908	1	Warning Decal (For C756C)
350697	1	Trade Name Decal (For C756C)
350696	1	Trade Name Decal (For C7513C)
202173	1	Trade Name Decal (For C7513C-LANCO)
†205724	1	Decal (Viton Seals)
202173	1	Trade Name Decal (For C7513-S)

Part numbers marked with an asterisk (*) are contained in Repair Kit No. 300647.
Part numbers marked with a dagger (†) are contained in Viton Seal Kit No. 300846.

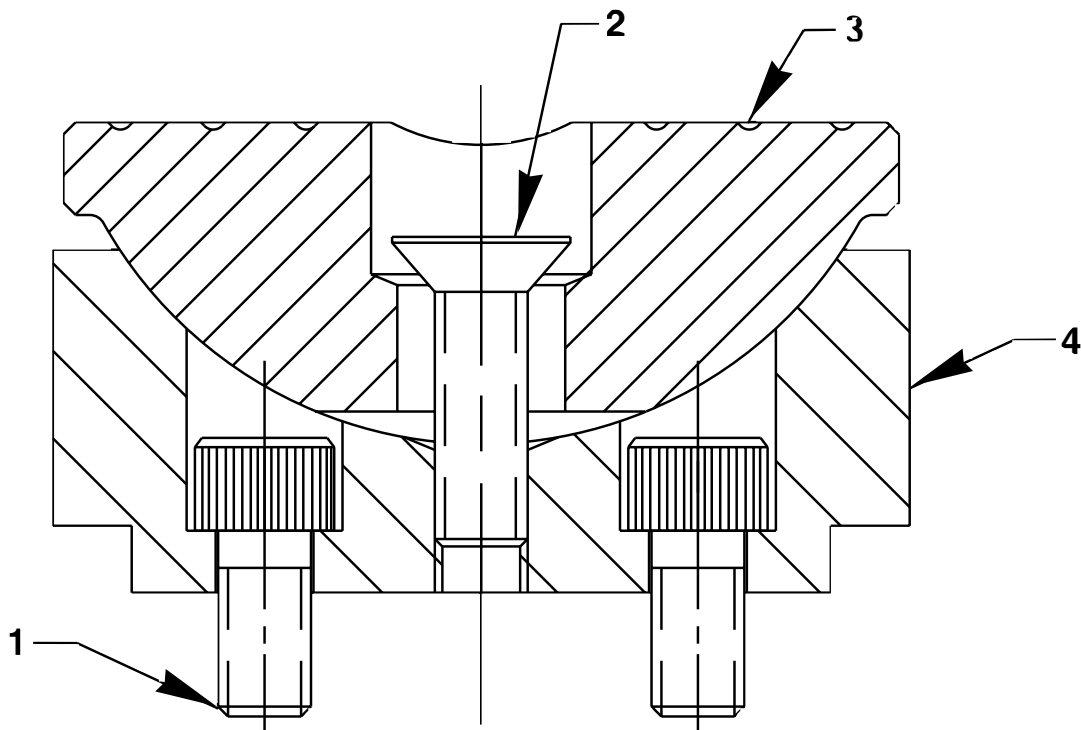
Refer to any operating instructions included with this product for detailed information about operation, testing, disassembly, reassembly, and preventive maintenance.

Items found in this parts list have been carefully tested and selected. **Therefore: Use only genuine Power Team replacement parts!**

Additional questions can be directed to our Technical Services Department.

Note: Shaded areas reflect last revision(s) made to this form.

TILT SADDLE CAP ASSEMBLY (FOR C7513-S ONLY)



Item No.	Part No.	No. Req'd	Description
1	10464	2	Cap Screw (3/8-16 UNC X 3/4 Lg.; Torque to 320/340 in. lbs.)
2	215757	1	Screw (1/4-20 X 1" Lg.)
3	350252	1	Swivel Cap
4	350254	1	Tilt Saddle Base

ASSEMBLY INSTRUCTIONS

1. Mount tilt saddle base to cylinder piston with appropriate socket head cap screws (Item 1). Torque as specified.
2. Position swivel cap on base and tilt until lip on swivel cap contacts the base.
3. Thread in self-locking flat head screw. DO NOT overtighten. Swivel cap should swivel freely, and lip on swivel cap should always contact the base at maximum tilt angle. The lip is not intended to support the load, only to indicate the maximum tilt angle.

Note: This page added at last revision to this form.

Sheet No. 2 of 2

Rev. 1 Date: 12 Dec. 1997