

SPX**POWER TEAM®**

SPX Corporation
 5885 11th Street
 Rockford, IL 61109-3699 USA

Tech. Services: (800) 477-8326
 Fax: (800) 765-8326
 Order Entry: (800) 541-1418
 Fax: (800) 288-7031

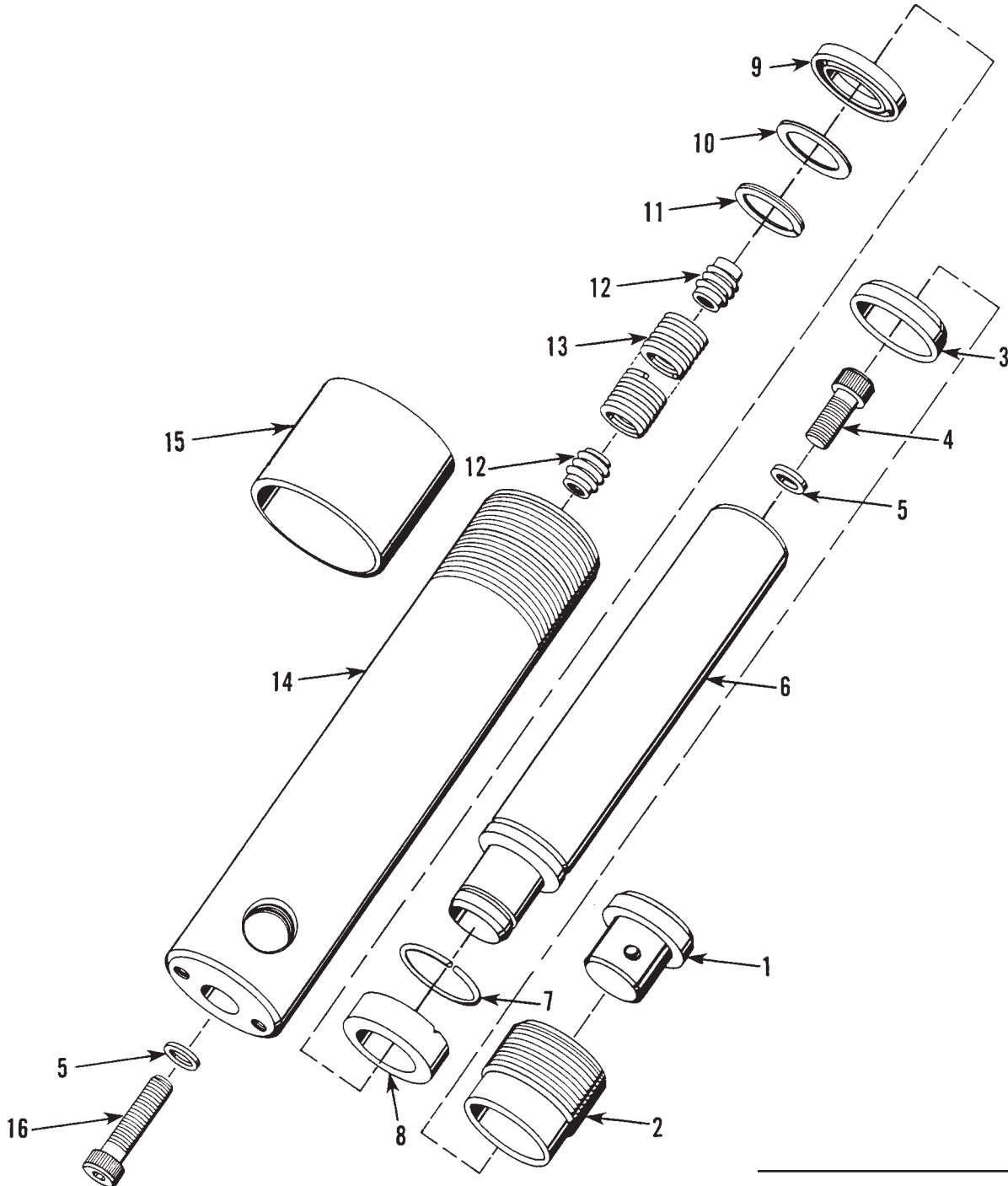
Internet Address:
<http://www.powerteam.com>

Form No. 100597

Parts List for:

2R51S	C51C-LCSP	C55C-CMI
2R53S	C51C-PFAFF	C55C-PFAFF
2R55S	C53C	C57C
46020	C53C-EZE	C57C-ABC
C51C	C53C-PFAFF	C59C
	C55C	C59C-ACME
		C59C-PAC

MODEL B
SINGLE-ACTING, SPRING RETURN
HYDRAULIC CYLINDER
 Max. Capacity: 5 Ton at 10,061 PSI



Sheet No. 1 of 2

Rev. 6 Date: 24 July 2000

Parts List, Form No. 100597, Back sheet 1 of 2

Item No.	Part No.	No. Req'd	Description
1	201375	1	Thread Adapter (For all except C51C-LCSP, C53C-EZE, C59C-ACME, C57C-ABC & C59C-PAC)
2	305065	1	Retainer Nut (Torque to 40/80 in. lbs.)
3	*†201424	1	Rod Wiper
4	15122	1	Soc. Hd. Cap Screw (#10-32 x 5/8 Lg.; Torque to 50/60 in. lbs.)
5	*†14319	2	Copper Washer (5/16 x 3/16 x 1/32)
6	305054	1	Piston Rod (For C51C, C51C-LCSP, 2R51S & C51C-PFAFF)
	305055	1	Piston Rod (For C53C, C53C-PFAFF, C53C-EZE & 2R53S)
	305056	1	Piston Rod (For C55C, C55C-PFAFF, C55C-CMI, 2R55S, & 46020)
	350093	1	Piston Rod (For C57C & C57C-ABC)
	350147	1	Piston Rod (For C59C, C59C-ACME & C59C-PAC)
7	---	1	Round Retaining Ring (Note: This part assembled on piston rod [Item #6].)
8	201377	1	Piston Head (Assemble with groove toward shoulder.)
9	*210391	1	U-cup Piston Seal
	†205703	1	U-cup Piston Seal
10	201373	1	Retainer Washer
11	*13653	1	Retaining Ring
12	201372	2	Spring Retainer (See diagram on pg. 2 of 2)
13	201422	1	Extension Spring (For C53C, C53C-PFAFF, C53C-EZE & 2R53S)
	201423	1	Extension Spring (For C55C, C55C-CMI, 2R55S, C55C-PFAFF & 46020)
	207529	1	Extension Spring (For C51C, C51C-LCSP, 2R51S & C51C-PFAFF)
	250230	1	Extension Spring (For C57C & C57C-ABC)
	250284	1	Extension Spring (For C59C, C59C-ACME & C59C-PAC)
14	42168	1	Cylinder Body (For C53C, C53C-PFAFF, C53C-EZE & 2R53S)
	42170	1	Cylinder Body (For C55C, C55C-PFAFF & 2R55S)
	44773	1	Cylinder Body (For C51C, C51C-LCSP, 2R51S & C51C-PFAFF)
	46012	1	Cylinder Body (For 46020)
	420058	1	Cylinder Body (For C57C & C57C-ABC)
	420083	1	Cylinder Body (For C59C & C59C-PAC)
	420304	1	Cylinder Body (For C55C-CMI)
	421328	1	Cylinder Body (For C59C-ACME)
15	36141	1	Thread Protector (All except 46020, C51C-LCSP, C53C-EZE, C59C-ACME, C55C-CMI, C57C-ABC & C59C-PAC)
16	16071	1	Soc. Hd. Cap Screw (#10-32 x 1" Lg.; Torque to 50/60 in. lbs.)

PARTS INCLUDED BUT NOT SHOWN

252006	1	Trade Name Decal (For C53C-PFAFF)
252010	1	Trade Name Decal (For C55C-PFAFF)
350202	1	Full Coverage Decal (For C51C)
350203	1	Full Coverage Decal (For C53C & C53C-EZE)
350204	1	Full Coverage Decal (For C55C)
210467	1	Trade Name Decal (For 2R51S)
210468	1	Trade Name Decal (For 2R53S)
210469	1	Trade Name Decal (For 2R55S)
420104	1	Full Coverage Decal (For C57C & C57C-ABC)
420105	1	Full Coverage Decal (For C59C & C59C-PAC)
360076	1	Full Coverage Decal (For C55C-CMI)
*203908	1	Warning Decal (For C59C-ACME & C55C-CMI)
252182	1	Tradename Decal (For C51C-PFAFF)

CONTINUED-

NOTE: Shaded areas reflect the last revision(s) made to this form.

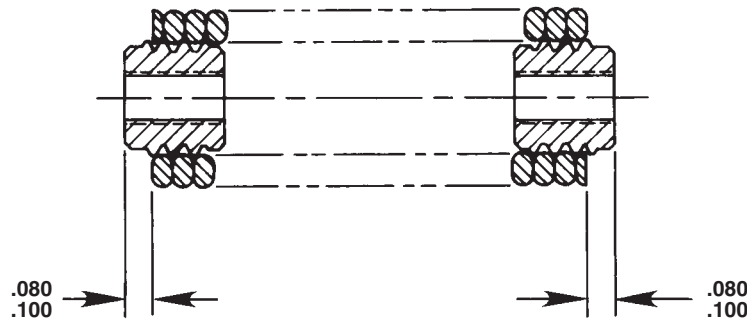
Item No.	Part No.	No. Req'd	Description
	203908-CE	1	Warning Decal (For C53C-PFAFF & C55C-PFAFF)
	9796	1	Ram Half Coupler w/ Dust Cap (For C51C, C53C, C53C-PFAFF, C55C-PFAFF, C55C, C53C-EZE, C51C-PFAFF & C57C-ABC)
	210916	1	Ram Half Coupler (For 2R51S, 2R53S, & 2R55S)
	11127	1	Pressure Plug (3/8 NPTF; for 46020, C51C-LCSP, C57C-ABC & C59C-PAC)
	10970	1	Pipe Plug (1/4 NPTF; For C55C-CMI)
	†206555	1	U-cup Backup Washer
	†19526	1	O-ring (1" x 3/4 x 1/8; for coupler)
	†205724	1	Decal (Viton)
	211061	1	Plug (For C59C-ACME)
	212064-CE	1	Warning Decal (For C51C-PFAFF)

Part numbers marked with an asterisk (*) are contained in Standard Repair Kit No. 300404.

Part numbers marked with a dagger (†) are contained in Viton Seal Kit No. 300210.

SPRING & RETAINER ASSEMBLY

The spring must not extend beyond the threads of the spring retainer on either end. Stretch, clean and lubricate the spring before assembly.



Refer to any operating instructions included with this product for detailed information about operation, testing, disassembly, reassembly, and preventive maintenance.

Items found in this parts list have been carefully tested and selected. **Therefore: Use only genuine Power Team replacement parts!**

Additional questions can be directed to our Technical Services Department.