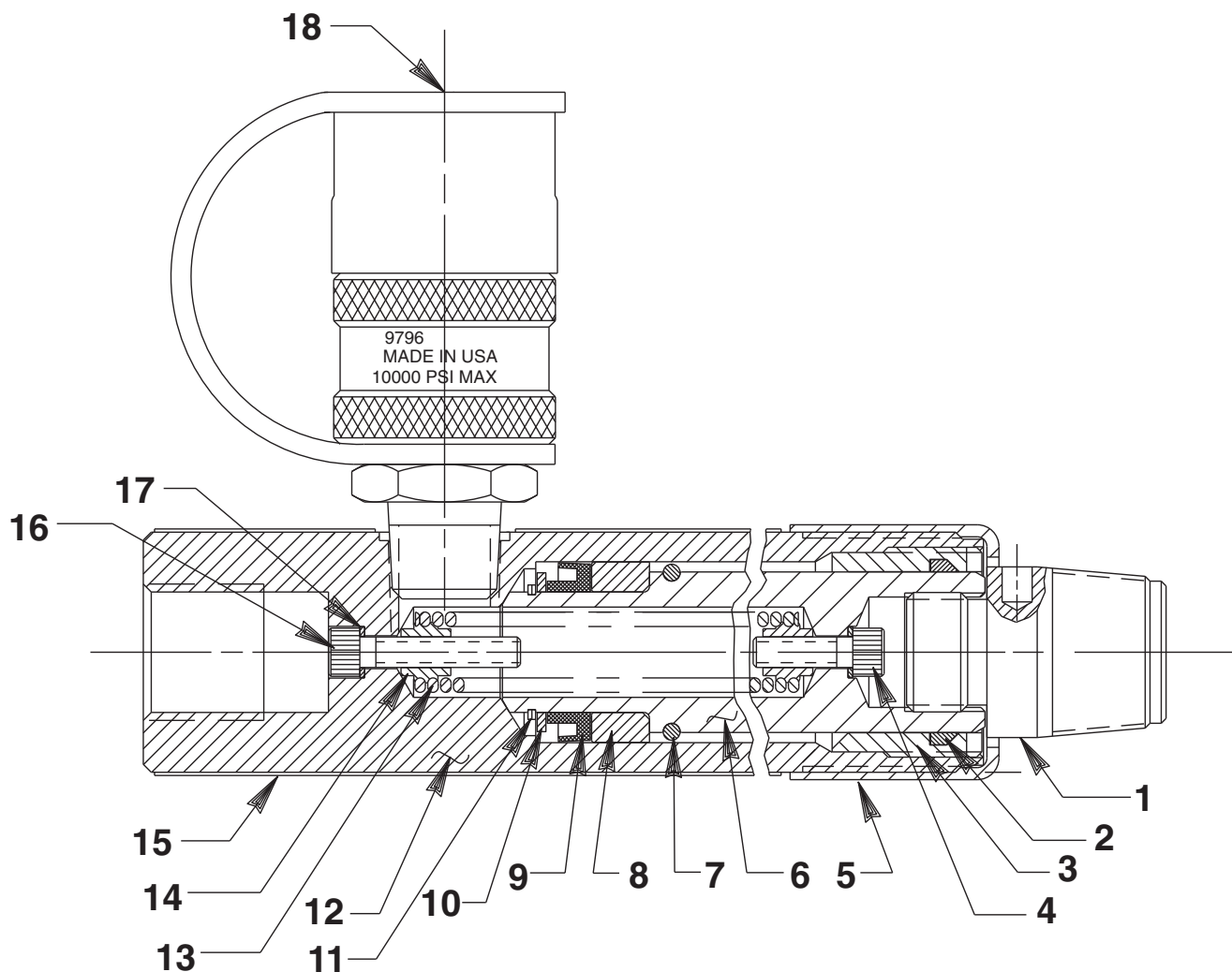


MODEL B
SINGLE-ACTING, SPRING RETURN
HYDRAULIC CYLINDER
Max. Capacity: 5 Tons at 10,061 PSI



Item No.	Part No.	No. Req'd	Description
1	202178	1	Thread Adapter
2	*†201424	1	Rod Wiper
3	305065	1	Retainer Nut (Torque to 40/80 in. lbs.)
4	15122	1	Soc. Hd. Cap Screw (#10-32 X 5/8 Lg.; Torque to 50/60 in. lbs.)
5	36141	1	Thread Protector
6	305056	1	Piston Rod
7	16072	1	Round Retaining Ring
8	201377	1	Piston Head
9	*210391	1	U-cup Piston Seal
	†205703	1	U-cup Piston Seal
10	201373	1	Retainer Washer
11	*13653	1	Retaining Ring
12	42451	1	Cylinder Body
13	201423	1	Extension Spring
14	201372	2	Spring Retainer (See diagram below)
15	351355	1	Full Coverage Decal (For C55CBT)
	252182	1	Trade Name Decal (For C55CBT-PFAFF)
16	16071	1	Soc. Hd. Cap Screw (#10-32 X 1" Lg.; Torque to 50/60 in. lbs.)
17	†14319	2	Copper Washer (5/16 X 3/16 X 1/32)
18	9796	1	Ram Half Coupler (With dust cap)

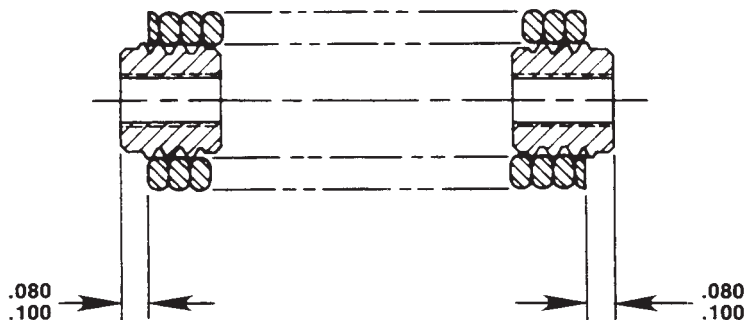
PARTS INCLUDED BUT NOT SHOWN

*203908	1	Warning Decal (For C55CBT)
212064-CE	1	Warning Decal (For C55CBT-PFAFF)
420536	1	Full Coverage Decal (For C55CBT)
*†206555	1	U-cup Backup Washer
†19526	1	O-ring (1" X 3/4 X 1/8; for coupler)
†205724	1	Decal (Viton)



Part numbers marked with an asterisk (*) are contained in Standard Repair Kit No. 300404.
 Part numbers marked with a dagger (†) are contained in Viton Seal Kit No. 300210.

SPRING & RETAINER ASSEMBLY



Refer to any operating instructions included with this product for detailed information about operation, testing, disassembly, reassembly, and preventive maintenance.

Items found in this parts list have been carefully tested and selected. **Therefore: Use only genuine Power Team replacement parts!**

Additional questions can be directed to our Technical Services Department.