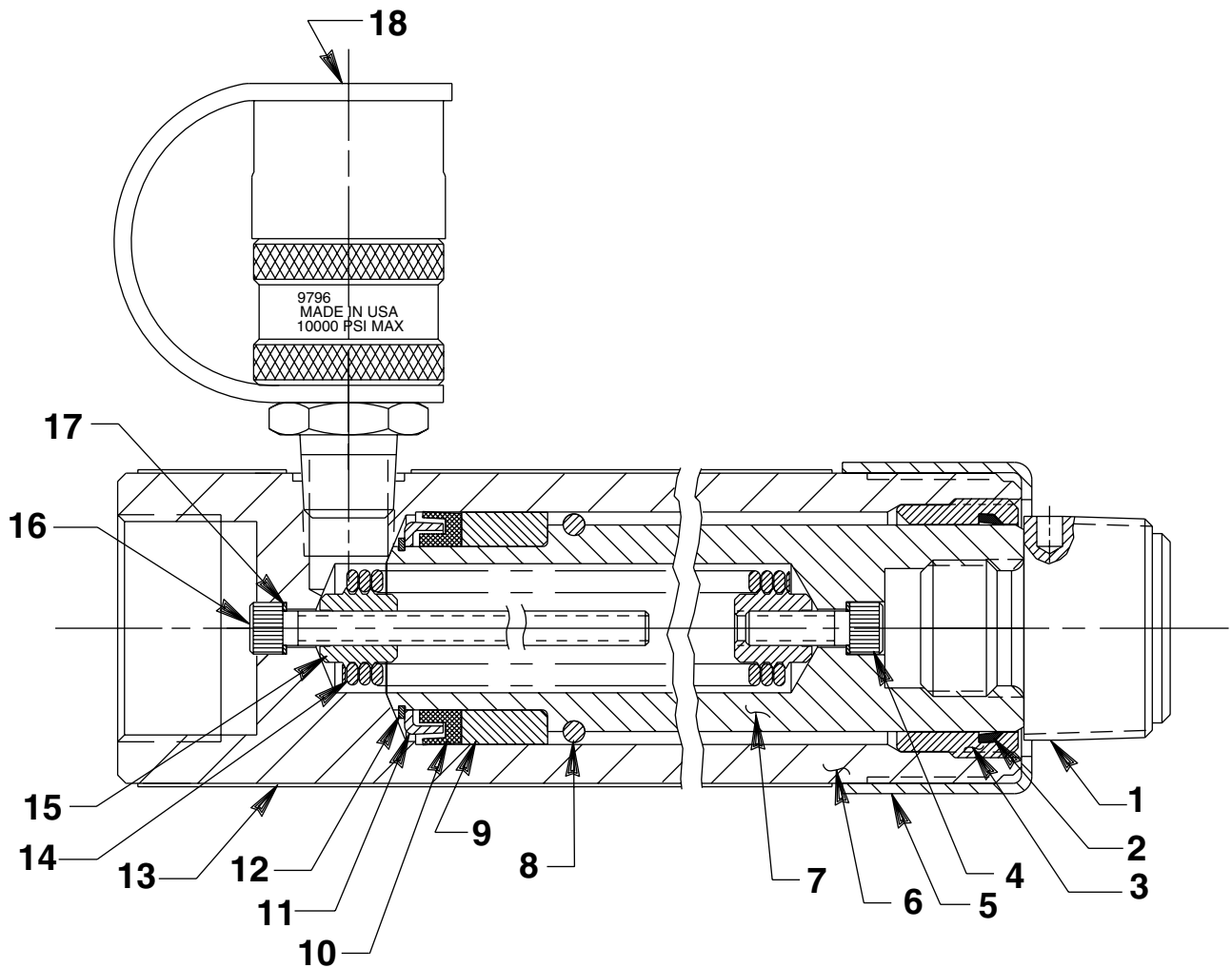


**Model B**  
**SINGLE-ACTING, SPRING RETURN**  
**HYDRAULIC CYLINDER**  
Max. Capacity: 11.2 Tons at 10,000 PSI



Refer to any operating instructions included with this product for detailed information about operation, testing, disassembly, reassembly, and preventive maintenance.

Items found in this parts list have been carefully tested and selected. **Therefore: Use only genuine Power Team replacement parts!**

Additional questions can be directed to our Technical Services Department.

Note: Shaded areas reflect last revision(s) made to this form.

Sheet No. 1 of 1

Rev. 1 Date: 7 May 1997

| Item No. | Part No. | No. Req'd | Description  |
|----------|----------|-----------|--|
| 1        | 202179   | 1         | Thread Adapter (Torque to 100 ft. lbs.)                            |
| 2        | †*201429 | 1         | Rod Wiper  |
| 3        | 351051   | 1         | Retainer Nut (Torque to 90/100 in. lbs.)                           |
| 4        | 10006    | 1         | Soc. Hd. Cap Screw (1/4-20 X 5/8 Lg.; Torque to 90/110 in. lbs.)   |
| 5        | 36146    | 1         | Thread Protector - Plastic   |
| 6        | 42447    | 1         | Cylinder Body (For C106CBT)  |
|          | 42448    | 1         | Cylinder Body (For C1010CBT)                                       |
| 7        | 421003   | 1         | Piston Rod (For C106CBT)   |
|          | 421073   | 1         | Piston Rod (For C1010CBT)  |
| 8        | 201433   | 1         | Retaining Ring   |
| 9        | 201364   | 1         | Piston Head (Assemble with groove towards shoulder)                |
| 10       | *16067   | 1         | U-cup Piston Seal  |
|          | †205704  | 1         | U-cup  |
| 11       | 201359   | 1         | Slip Retainer  |
| 12       | *16076   | 1         | Retaining Ring   |
| 13       | 421386   | 1         | Full Coverage Decal (For C106CBT)                                  |
|          | 421387   | 1         | Full Coverage Decal (For C1010CBT)                                 |
|          | 252183   | 1         | Trade Name Decal (For C1010CBT-PFAFF)                              |
| 14       | 201431   | 1         | Extension Spring (For C106CBT)                                     |
|          | 201432   | 1         | Extension Spring (For C1010CBT)                                    |
| 15       | 201360   | 2         | Spring Retainer  |
| 16       | 16064    | 1         | Soc. Hd. Cap Screw (1/4-20 X 3-1/2 Lg.; Torque to 90/110 in. lbs.) |
| 17       | †*10442  | 2         | Copper Washer  |
| 18       | 9796     | 1         | Ram Half Coupler with Dust Cap                                     |

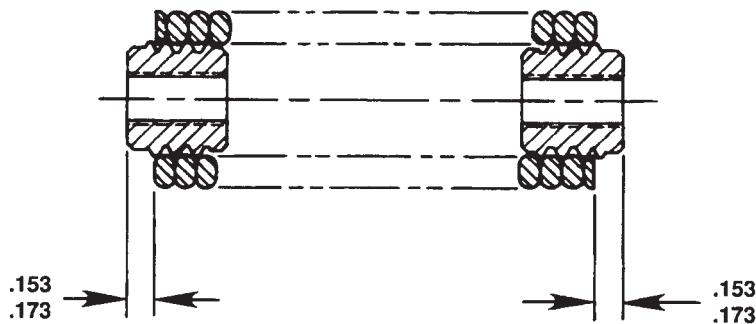
**PARTS INCLUDED BUT NOT SHOWN**

|           |   |  |
|-----------|---|--|
| *203908   | 1 | Warning Decal (For C106CBT & C1010CBT) |
| 203908-CE | 1 | Warning Decal (For C1010CBT-PFAFF)     |
| †206554   | 1 | U-cup Backup Washer                    |
| †19526    | 1 | O-ring (For coupler)                   |
| †205724   | 1 | Decal (Viton)                          |



Part numbers marked with an asterisk (\*) are contained in Standard Repair Kit No. 300116.  
 Part numbers marked with a dagger (†) are contained in Viton Seal Kit No. 300211.

**SPRING & RETAINER ASSEMBLY**



Spring must not extend beyond threads of spring retainer on either end. Stretch, clean and lubricate before assembly.

Note: Shaded areas reflect last revision(s) made to this form.