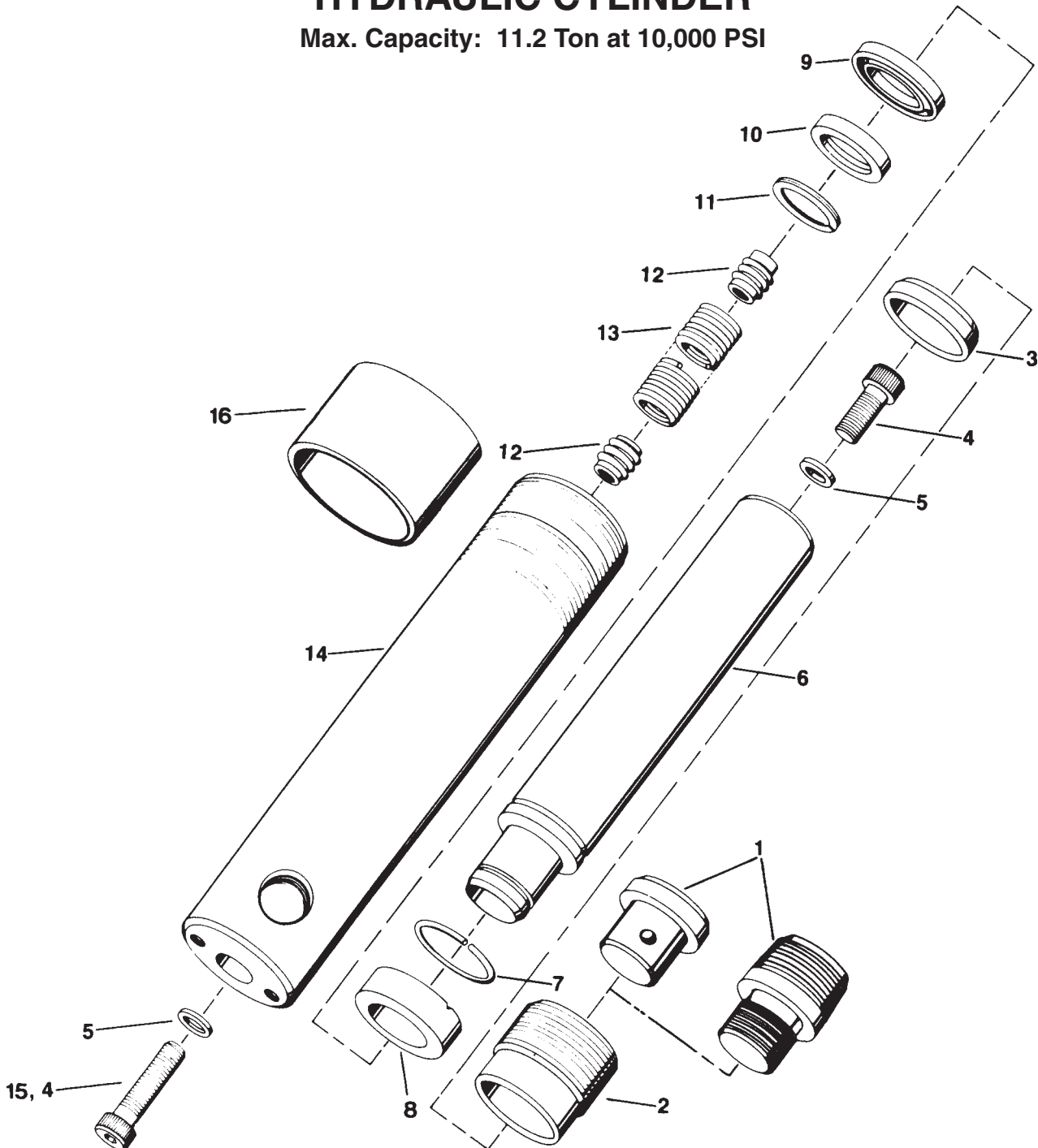


2R101S	201581-C4	C106C	C1010C
2R102S	420006	C106CK	C1010C-CMI
2R104S	C101C	C106C-IMT	C1010C-IMT
2R106S	C101CN	C106C-SAUER	C1010C-CHIEF
2R108S	C102C	C108C	C1010C-PTP
2R1010S	C102C-IMT	C108C-ADV	C1012C
43143	C104C	C108CK	C1012C-ABC
89200-69	C104C-EMP	C108CM	C1014C

SINGLE-ACTING, SPRING RETURN HYDRAULIC CYLINDER

Max. Capacity: 11.2 Ton at 10,000 PSI



Parts List, Form No. 100361, Back sheet 1 of 2

Item No.	Part No.	No. Req'd	Description
1	201362	1	Thread Adapter Assembly (Not included with 89200-69, C108C-ADV, C104C-EMP & C1012C-ABC)
	202179	1	Thread Adapter (Torque to 100 ft. lbs.; For 43143 only)
	251513	1	Thread Adapter (For C106C-SAUER)
2	201365	1	Retainer Nut (Torque to 90/100 in. lbs.; For C101C, C101CN, C102C, C104C, 201581-C4, 420006, 2R101S, 2R102S, 2R104S, C102C-IMT, & C104C-EMP)
	201366	1	Retainer Nut (Torque to 90/100 in. lbs.; For C106C, C106CK, C108C, C108CK, C1010C, C1010C-CMI, C1012C, C1014C, 43143, C108CM, 89200-69, 2R106S, 2R108S, C106C-SAUER, 2R101S, C108C-ADV, C1010C-CHIEF, C106C-IMT, C1010C-IMT, C1012C-ABC & C1010C-PTP)
3	†* 201429	1	Rod Wiper
4	10006	1	Soc. Hd. Cap Screw (1/4-20 x 5/8 Lg.; Toque to 90/110 in. lbs.; For C104C, C106C, C106CK, C108C, C108CK, C108CM, C1010C, C1010C-CMI, C1012C, 43143, 89200-69, 201581-C4, 2R104S, 2R106S, 2R108S, C106C-SAUER, 2R1010S, C108C-ADV, C1010C-CHIEF, C106C-IMT, C1010C-IMT, C104C-EMP, C1012C-ABC & C1010-PTP)
	10008	2	Soc. Hd. Cap Screw (1/4-20 x 3/4 Lg.; Torque to 90/110 in. lbs.; For C102C, 420006, 2R102S, & C102C-IMT)
	17203	2	Soc. Hd. Cap Screw (1/4-20 x 7/8 Lg.; Torque to 50/70 in. lbs.; For C101C, C101CN & 2R101S)
	16064	2	Soc. Hd. Cap Screw (1/4-20 x 3-1/2 Lg.; Torque to 90/110 in. lbs.; For C1014C)
5	†* 10442	2	Copper Washer
6	38061	1	Piston Rod (For C101C, C101CN & 2R101S)
	36087	1	Piston Rod (For C102C, 2R102S, & C102C-IMT)
	38070	1	Piston Rod (For C104C, 201581-C4, 2R104S, & C104C-EMP)
	42159	1	Piston Rod (For C106C, C106CK, 43143, 89200-69, C106C-SAUER, 2R106S, & C106C-IMT)
	44811	1	Piston Rod (For C108C, C108CK, C108CM, C108C-ADV, & 2R108S)
	42162	1	Piston Rod (For C1010C, C1010C-CMI, C1010C-CHIEF, 2R1010S, C1010C-IMT & C1010C-PTP)
	44815	1	Piston Rod (For C1014C)
	420007	1	Piston Rod (For 420006)
	420221	1	Piston Rod (For C1012C & C1012C-ABC)
7	---	1	Retaining Ring (Note: This part is assembled on the piston rod [Item #6].)
8	201363	1	Piston Head (For C101C, C101CN, C102C, C104C, 201581-C4, 420006, 2R101S, 2R102S, 2R104S, C102C-IMT, & C104C-EMP)
	201364	1	Piston Head (Assemble with groove toward shoulder.; For C106C, C106CK, C108C, C108CK, C1010C, C1010C-CMI, C1012C, C1014C, C108CM, 43143, 89200-69, 2R106S, 2R108S, C106C-SAUER, C108C-ADV, C1010C-CHIEF, 2R1010S, C106C-IMT, C1010C-IMT, C1012C-ABC, & C1010C-PTP)
9	* 16067	1	U-cup Piston Seal
	† 205704	1	U-cup
10	201359	1	Slip Retainer
11	* 16076	1	Retaining Ring
12	201360	2	Spring Retainer (For all except 2R101S, C101CN & C101C)
	204414	2	Spring Retainer (For C101C, C101CN & 2R101S)

CONTINUED -

Item No.	Part No.	No. Req'd	Description
13	204249	1	Extension Spring (For C101C, C101CN & 2R101S)
	201430	1	Extension Spring (For C102C, 420006, 2R102S, & C102C-IMT)
	204250	1	Extension Spring (For C104C, 201581-C4, 2R104S, & C104C-IMT)
	201431	1	Extension Spring (For C106C, C106CK, 43143, 89200-6, C106C-SAUER, 2R106S, & C106C-EMP)
	207695	1	Extension Spring (For C108C, C108CK, C108CM, C108C-ADV, & 2R108S)
	201432	1	Extension Spring (For C1010C, C1010C-CMI, C1010C-CHIEF, 2R1010S, C1010C-IMT & C1010C-PTP)
	207708	1	Extension Spring (For C1014C, C1012C & C1012C-ABC)
14	43112	1	Cylinder Body (For C101C & 2R101S)
	42158	1	Cylinder Body (For C102C, 2R102S, & C102C-IMT)
	43113	1	Cylinder Body (For C104C, 201581-C4, 2R104S & C104C-EMP)
	42160	1	Cylinder Body (For C106C, C106CK, 43143, 89200-69, 2R106S, & C106C-IMT)
	44812	1	Cylinder Body (For C108C, C108CK, C108C-ADV, 2R108S, & C108C-IMT)
	42163	1	Cylinder Body (For C1010C, C1010C-CMI, C1010C-CHIEF, 2R1010S, C1010C-IMT & C1010C-PTP)
	44816	1	Cylinder Body (For C1014C)
	420008	1	Cylinder Body (For 420006)
	420222	1	Cylinder Body (For C1012C & C1012C-ABC)
	420700	1	Cylinder Body (For C108CM)
	420727	1	Cylinder Body (For C101CN; Contact factory for availability and pricing)
15	420835	1	Cylinder Body (For C106C-SAUER)
	10020	1	Soc. Hd. Cap Screw (1/4-20 x 1-1/4 Lg.; Torque to 90/110 in. lbs.; For C104C, 201581-C4, 2R104S, & C104C-EMP)
	16064	1	Soc. Hd. Cap Screw (1/4-20 x 3-1/2 Lg.; Torque to 90/110 in. lbs.; For C106C, C106CK, C108C, C108CK, C1010C, C1010-CMI, C106C-SAUER, C1012C, 43143, C108CM, 89200-69, 2R106S, 2R108S, 2R1010S, C108C-ADV, C1010C-CHIEF, C106C-IMT, C1010C-IMT & C1012C-ABC))
16	36146	1	Thread Protector (Plastic - Not included on 43143, 89200-69, C104C-EMP, 420006 & C1012C-ABC)

PARTS INCLUDED BUT NOT SHOWN

210470	1	Trade Name Decal (For 2R101S)
210471	1	Trade Name Decal (For 2R102S)
210472	1	Trade Name Decal (For 2R104S)
210473	1	Trade Name Decal (For 2R106S)
210474	1	Trade Name Decal (For 2R108S)
210847	1	Trade Name Decal (For 2R1010S)
420102	1	Full Coverage Decal (For C101C)
202173	1	Trade Name Decal (For C101CN)
420124	1	Full Coverage Decal (For C102C & C102C-IMT)
420106	1	Full Coverage Decal (For C104C)
420107	1	Full Coverage Decal (For C106C, C106CK, & C106C-IMT)
420109	1	Full Coverage Decal (For C1010C, C1010C-CMI, & C1010C-IMT)
420108	1	Full Coverage Decal (For C108C & C108CK)
420110	1	Full Coverage Decal (For C1014C)
420220	1	Full Coverage Decal (For C1012C & C1012C-ABC)
420582	1	Full Coverage Decal (For C1010C-CHIEF)
*203908	1	Warning Decal (Shipped loose with C108C-ADV)
212064	1	Warning Decal (For C101CN)

CONTINUED -

Sheet No. 2 of 2

Rev. 3 Date: 12 Mar 2003

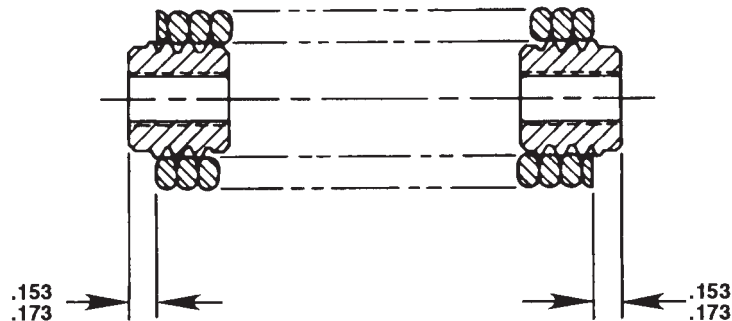
Item No.	Part No.	No. Req'd	Description
	9796	1	Ram Half Coupler (For Power Team models except C1010C-CMI & 420006)
	210916	1	Ram Half Coupler (For 2R101S, 2R102S, 2R104S, 2R106S, 2R108S, & 2R1010S)
	211061	1	Plug (For C108C-ADV & C104C-EMP)
	†19526	1	O-ring (1" x 3/4 x 1/8; for coupler)
	†206554	1	U-cup Backup Washer
	†205724	1	Decal (Viton)
	350547	1	Handle (For C106CK & C108CK)
	250884	1 ft.	Strapping (For C106CK & C108CK)
	250881	1	Tensioner Plate (For C106CK & C108CK)
	251035	1	Soc. Set Screw (For C106CK & C108CK)
	251451	1	Warning Decal (For C104C-EMP; Shipped loose)
	251616	1	Quick Coupler Plug (For C102C-IMT, C106C-IMT, & C1010C-IMT)
	9682	1	Straight Fitting (For C102C-IMT, C106C-IMT, & C1010C-IMT)
	11127	1	Plug (For C1012C-ABC)

Part numbers marked with an asterisk (*) are contained in Standard Repair Kit No. 300116.

Part numbers marked with a dagger (†) are contained in Viton Seal Kit No. 300211.

SPRING & RETAINER ASSEMBLY

The spring must not extend beyond the threads of the spring retainer on either end. Stretch, clean and lubricate the spring before assembly.



Refer to any operating instructions included with this product for detailed information about operation, testing, disassembly, reassembly, and preventive maintenance.

Items found in this parts list have been carefully tested and selected. **Therefore: Use only genuine replacement parts!**

Additional questions can be directed to our Technical Services Department.