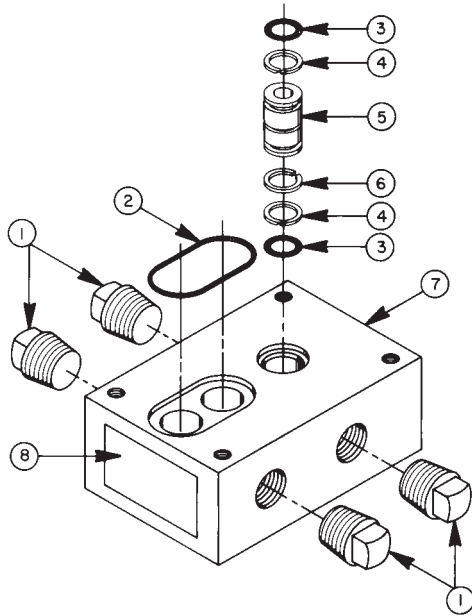


**Operating &
Installation Instructions for:****9510****REMOTE MOUNTED VALVE SUBPLATE**

Item No.	Part No.	No. Req'd	Description
1	11127	4	Pipe Plug (3/8" NPTF)
2	10914	1	O-ring (1-3/8 X 1-3/16 X 3/32, -123)
3	10268	1	O-ring (1/2 X 3/8 X 1/16, -012)
4	11863	2	Backup Washer (1/2 X 3/8 X 1/16, -012)
5	21094	1	Bushing
6	251124	1	Retaining Ring
7	52506	1	Manifold Body
8	208358	1	Warning Decal

SPECIFICATIONS	
MAX. WORKING PRESSURE	10,000 PSI
MAX. FLOW RATING	5 GPM
PORT SIZES	3/8 NPTF

NOTE:

- Inspect the subplate upon arrival. The carrier, not the manufacturer, is responsible for any damage resulting from shipment.
- Read and carefully follow these instructions. Most problems with new equipment are caused by improper operation or installation.

SAFETY PRECAUTIONS

WARNING: To help avoid possible personal injury,
Hydraulic Hose

- Before operating the pump, all hose connections must be tightened with the proper tools. Do not overtighten. Connections need only be tightened securely and leak-free. Overtightening may cause premature thread failure or high pressure fittings to split at pressures lower than their rated capacities.
- Should a hydraulic hose ever rupture, burst, or need to be disconnected, immediately shut off the pump and shift the control valve twice to release all pressure. Never attempt to grasp a leaking hose under pressure with your hands. The force of escaping hydraulic fluid could cause serious injury.
- Do not subject the hose to any potential hazard such as fire, extreme heat or cold, sharp surfaces, heavy impact. Do not allow the hose to kink, twist, curl, or bend so tightly that the oil flow within the hose is blocked or reduced. Periodically inspect the hose for wear because any of these conditions can damage the hose and result in personal injury.
- Do not use the hose to move attached equipment. Stress may damage the hose and cause personal injury.
- Hose material and coupler seals must be compatible with the hydraulic fluid used. Hoses also must not come in contact with corrosive materials such as creosote-impregnated objects and some paints. Consult the manufacturer before painting a hose. Never paint the couplers. Hose deterioration due to corrosive materials may result in personal injury.

Sheet No. 1 of 1

Issue Date: Rev. 9-30-93

SAFETY PRECAUTIONS (Continued)

Control Valve

- Do not install quick couplers or allow restrictions in the hydraulic return line located between the hydraulic pump and a remote valve set-up.
- Do not allow the valve case pressure (as measured on the return line from valve to pump at the valve) to exceed 500 PSI. Refer to case pressure check as detailed in the valve set-up procedure in these instructions.
- Do not exceed either the pump, the control valve, or the cylinder's hydraulic pressure rating.

SUBPLATE MOUNTING PROCEDURE

Follow these instructions completely and carefully to insure a trouble-free set-up.

1. Mount the control valve on the subplate as shown in Figure 1.
2. Apply a thread sealant or teflon tape to the external threads of the hydraulic components that will be attached.
IMPORTANT: Seal all hydraulic connections with a high grade thread sealant such as Power Team HTS6. Teflon tape can be used to seal hydraulic connections provided only one layer of tape is used. Apply the tape carefully, two threads back, to prevent it from being pinched by the fitting and broken off inside the pipe end. Any loose pieces of tape could travel through the system and obstruct the flow of oil or cause jamming of precision-fit parts.
3. Install a temporary set-up of a hydraulic gauge mounted to a tee adapter, directly into the oil return port of the subplate (see Figure 1).

WARNING: Do not install quick couplers in the oil return line between the pump and the valve.

NOTE: The valve is designed for a maximum operating pressure of 10,000 PSI. The return oil, which should be under zero or minimum pressure, is contained by the valve case and is not to exceed 500 PSI.

4. The hydraulic hoses from the pump to the subplate may be installed on either side of the subplate.
NOTE: Refer to control valve parts list (100623, 100625, 100626, 100627, 100628) for porting information.

5. Recheck all hydraulic installation fittings. Then fully advance and retract all cylinders through several cycles. Check the pressure gauge installed on the return line and observe the return oil pressure as the valve is cycled through the advance, neutral (hold), and return positions.

WARNING: Return line oil pressure between valve and pump not to exceed 500 PSI. If return line pressure exceeds 500 PSI:

- Switch to a larger diameter return line.
- Do not use quick couplers on the return line.
- Eliminate as many bends and restrictions in the return line as possible.

6. If return line pressure is within the 500 PSI maximum limit, remove gauge and the adapter. Connect return line into return port.

