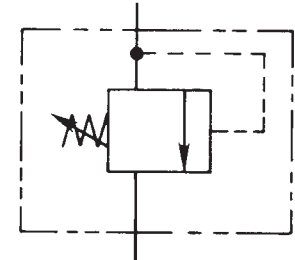


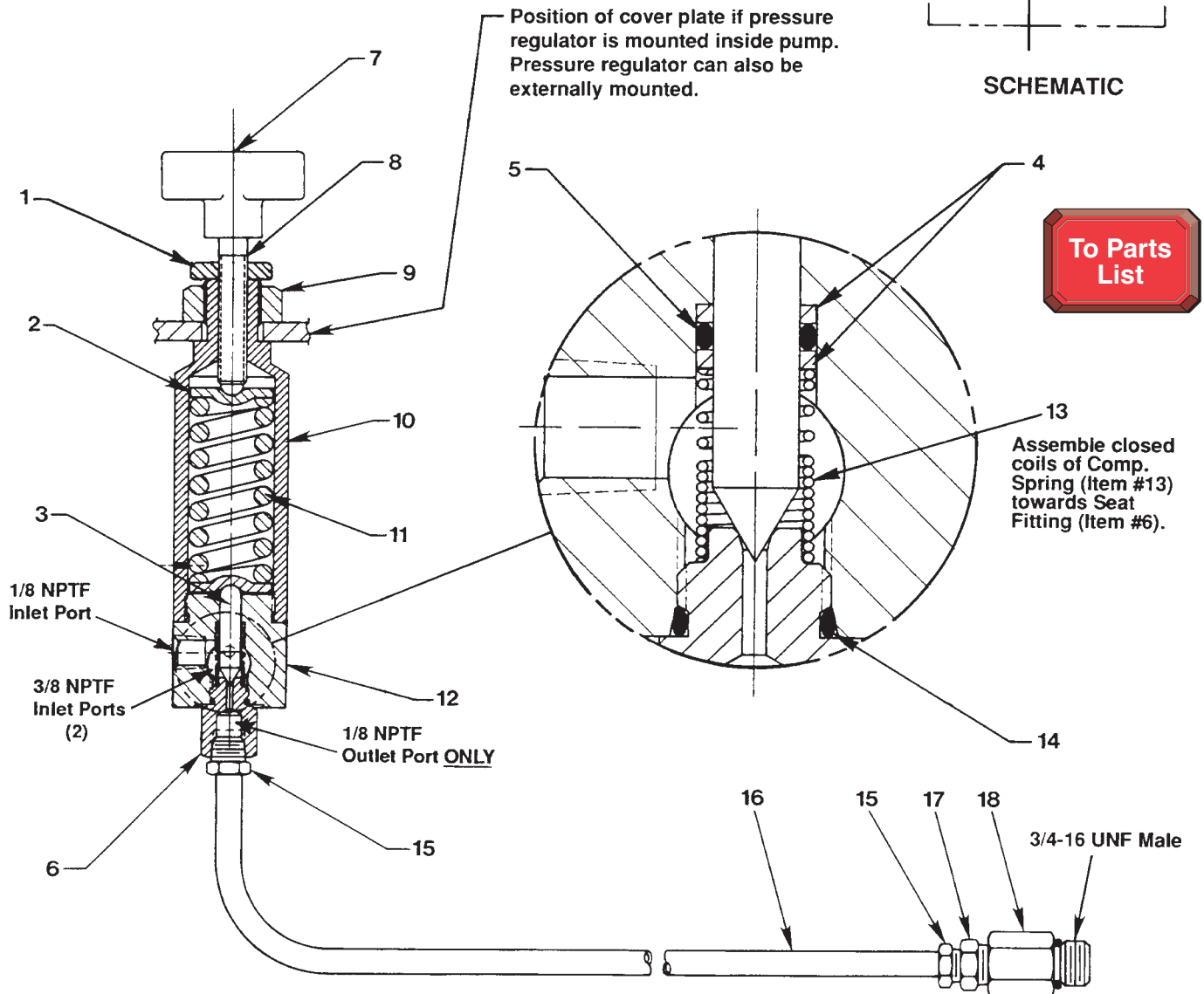
## PRESSURE REGULATOR

This pressure regulator can be adapted to any hydraulic system to bypass oil at a desired pressure setting anywhere between 300 PSI and 10,000 PSI while the pump motor continues to run. Three inlet ports (one 1/8 NPTF and two 3/8 NPTF) help this pressure regulator adapt to your system easily, either internally or external. Refer to the illustration below for the exact location of the three inlet ports and the designated outlet port (1/8 NPTF).

### PARTS LIST



SCHMATIC



Item No.	Part No.	No. Req'd	Description
1	215683	1	Regulator Locking Nut
2	215428	2	Spring Retainer
3	309079	1	Poppet
4	215430	2	Backup Washer (3/8 x 9/32 x 3/64)
5	10266	1	O-ring (3/8 x 1/4 x 1/16)
6	309078	1	Seat Fitting
7	215693	1	Tee Knob
8	215721	1	Stem
9	10396	1	Jam Nut (3/4-16)
10	309077	1	Spring Housing
11	215429	1	Compression Spring (1.100 O.D. x 2-1/2 Lg.)
12	47648	1	Regulator Body
13	215431	1	Compression Spring
14	13755	1	O-ring (9/16 x 13/32 x 5/64)
15	15913	2	Barbed Hose Fitting
16	15028	3 ft.	Flexible Tube (Note: This Flexible tube should be used as a return line only in applications where the maximum flow through the regulator is 55 cu. in. for a short duration [30 seconds or less] out of each hour of operation.)
17	12203	1	Straight Fitting (3/8 NPT Male to 1/8 NPT Female)
18	205956	1	Straight Fitting (3/4-16 UNF Male to 3/8 NPT Female)
	47647	1	Pressure Regulator Assembly (Items 1 through 14 only)



### PARTS INCLUDED BUT NOT SHOWN

16232	2	Plug (3/8 NPTF Male)
10427	1	Plug (1/8 NPTF Male Hex)

**NOTE: If your unit has a 1-1/16-12 fill port thread, #207071 (Fitting) and #10679 (Reducer) must be ordered separately and used instead of Item #18 (Straight Fitting).**

## OPERATING INSTRUCTIONS



**WARNING: To help avoid personal injury,**

- Do not touch the pressure regulator during operation. The unit can become very hot (over 180° F.) depending upon the flow and pressure setting used.
- Do not exceed the rated capacity of the pressure regulator (17 cu. in. to 8 GPM).

**IMPORTANT: To help prevent equipment damage, return lines must be sized large enough for flow and pressure setting used. Back pressure created by a return system can impair unit operation.**

For easy adjustment of the pressure regulator, always adjust the pressure setting by INCREASING to a desired pressure setting. The pressure range for this regulator is from 300 PSI to 10,000 PSI.

1. Loosen the locking nut on the pressure regulator. Turn the adjusting knob a few turns counterclockwise (CCW) to decrease the pressure setting to a lower than desired pressure.
2. Start the pump. Slowly turn the adjusting knob clockwise (CW) to gradually increase the pressure setting. When the desired pressure setting is attained, lock the adjusting screw into position by tightening the locking nut.

## MAINTENANCE

The pressure regulator has an accuracy rating of  $\pm 3\%$ . To maintain that accuracy level, regularly clean the entire hydraulic system.