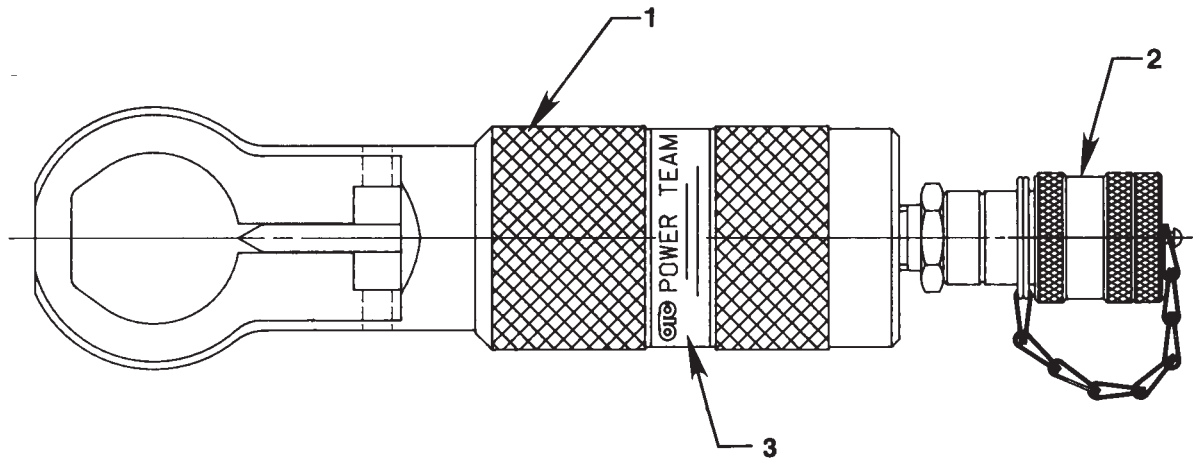


**Operating Instructions
for:****1U-9384
HNS175****NUT SPLITTER**

Item No.	Part No.	No. Req'd	Description
1	307121	1	Nut Splitter Assembly
2	25600	1	Coupler (For HNS175)
	1P-2375	1	Coupler (For 1U-9384)
3	213097	1	Decal

PARTS INCLUDED BUT NOT SHOWN

213083 1 Tube of Lubricant

REPLACEABLE PARTS

213073	1	Splitter Blade
1U-9385	1	Replacement Blade (For 1U-9384)
213080	1	Seal Kit (For HNS175)
213803	1	Coiled Spring Pin (For Blade attachment; For HNS175)

SAFETY PRECAUTIONS

These instructions should be read and carefully followed before operating the Nut Splitter. Most problems are caused by improper operation or installation.

**WARNING: To help prevent personal injury,**

- Safety glasses must be worn at all times to help prevent eye injury.
- Never exceed the rated capacity of the nut Splitter. Do not Attempt to split nuts having a hex size greater than 1 1/2" or smaller than 7/8". Square nut capacity is 7/8" only.
- The blade must be positioned to insure that the entire thickness of the nut is cut in a single stroke.

IMPORTANT: To avoid possible equipment damage, do not use the Nut Splitter to cut flanged nuts.

Sheet No. 1 of 1

Issue Date: Rev. 2-10-94

OPERATING INSTRUCTIONS

1. Place the ring of the Nut Splitter around the nut to be removed. A flat of the nut must be against the flat side of the Nut Splitter ring. The blade must be centered and must span the entire thickness of the nut.
2. Advance the blade against a flat of the nut until the nut cracks. This will expand the threads of the nut to allow removal.
3. Retract the blade. In some cases, it may be possible to make a second cut directly opposite the first cut to completely separate the nut into halves for removal.

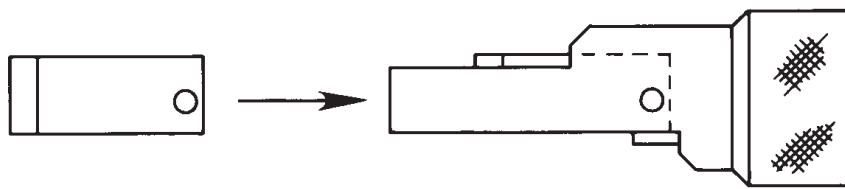
REPLACING THE BLADE IN THE NUT SPLITTER

If the blade is damaged, it must be replaced before further use:

1. Extend the blade.
2. Using a punch, drive the lockpin through the cross-hole in the body of the tool.
3. Change the blade.

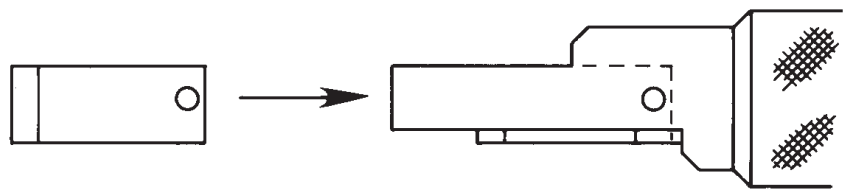
IMPORTANT: Always install the blade as shown in Figure 1. Failure to do so will void warranty and cause damage to the splitter ring and piston head.

4. Replace the lockpin.



The blade must be flush with this surface of the Nut Splitter frame.

Figure 1



Splitter blade mounted incorrectly.

Figure 2

MAXIMUM CAPACITY OF THE NUT SPLITTER

Due to the various sizes and types of nuts, it is not practical to list maximum nut sizes for all applications of this tool. The following chart lists general applications based on test results and is not intended to show the only ways to use the tool. Contact the Technical Services Department for questions involving applications not shown.

	Nut Grade - English (Nut Class - Metric)			
	2 or A (5)	5 or B (9)	8 or C (10)	2H (12)
Hex Size	1 1/2 (36)	1 1/2 (36)	1 1/8 (30)	1 1/16 (27)
Bolt Size	1 (24)	1 (24)	3/4 (20)	5/8 (18)
Nut Thickness	1.000 (23.2)	.859 (20.8)	.812 (19.6)	.631 (16.5)

**Maximum square nut capacity: 7/8" sq.
(22)**