

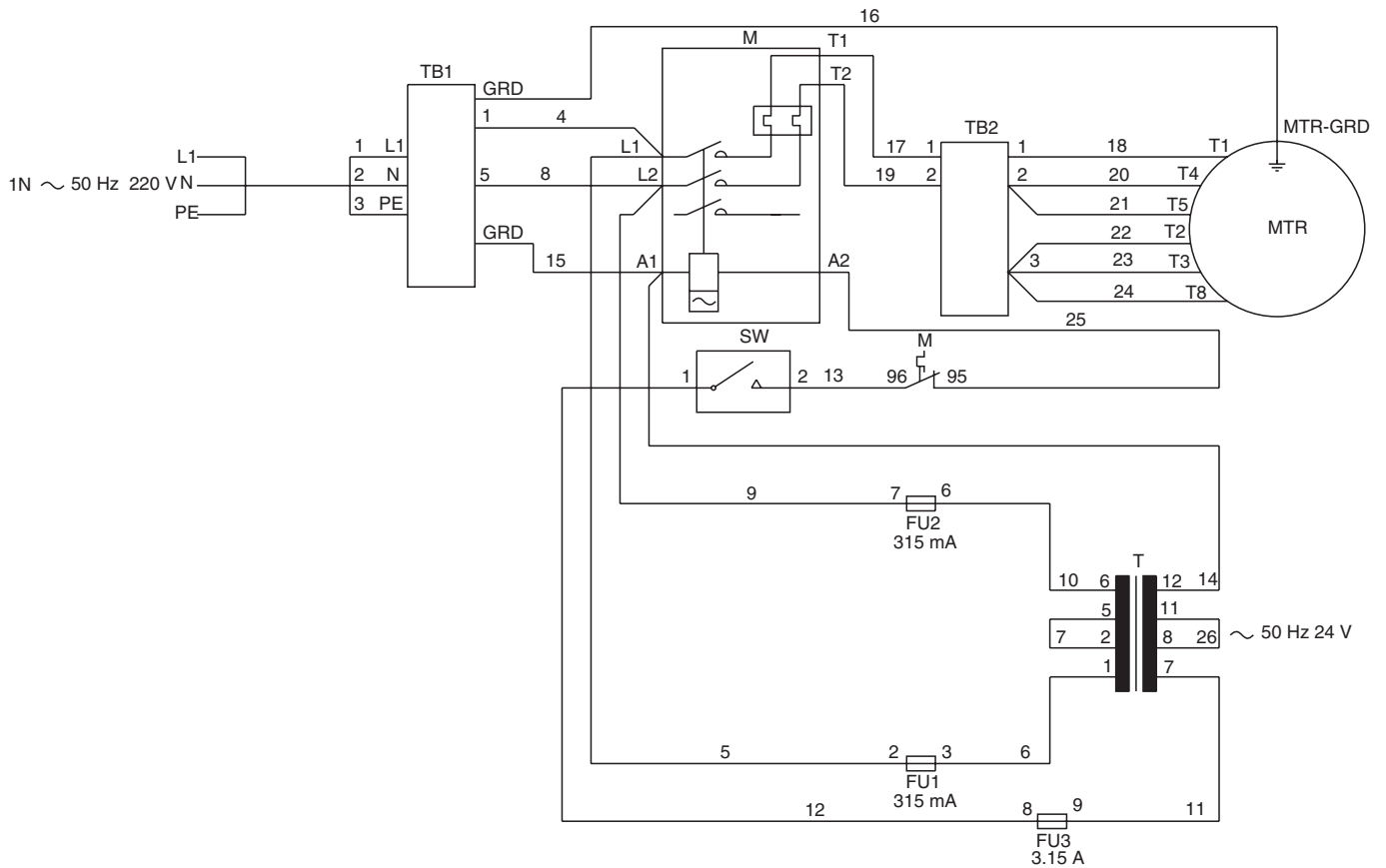
MODELS A & B HYDRAULIC PUMP ELECTRICAL SCHEMATICS

⚠ WARNING: To help prevent personal injury, all electrical work must be done by a qualified electrician.

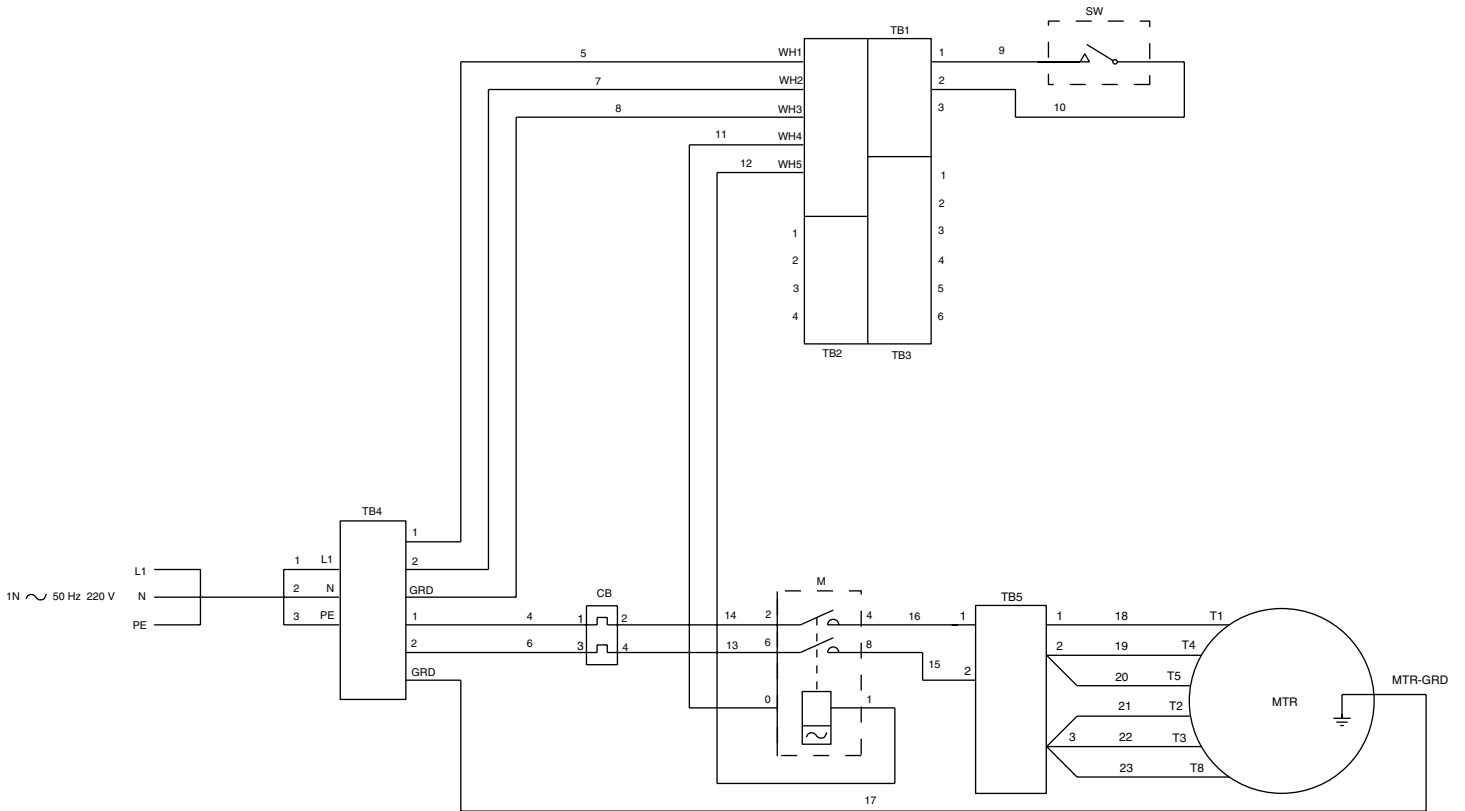
North American & International Color Codes

Conductors	North American	International
Line	Black	Brown
Neutral	White	Blue
Ground	Green	Green/Yellow

For **MODEL A** PE8, PE17 & PE46 Series pumps, 220 V.
with single phase induction motors and manifolds or manual valves:

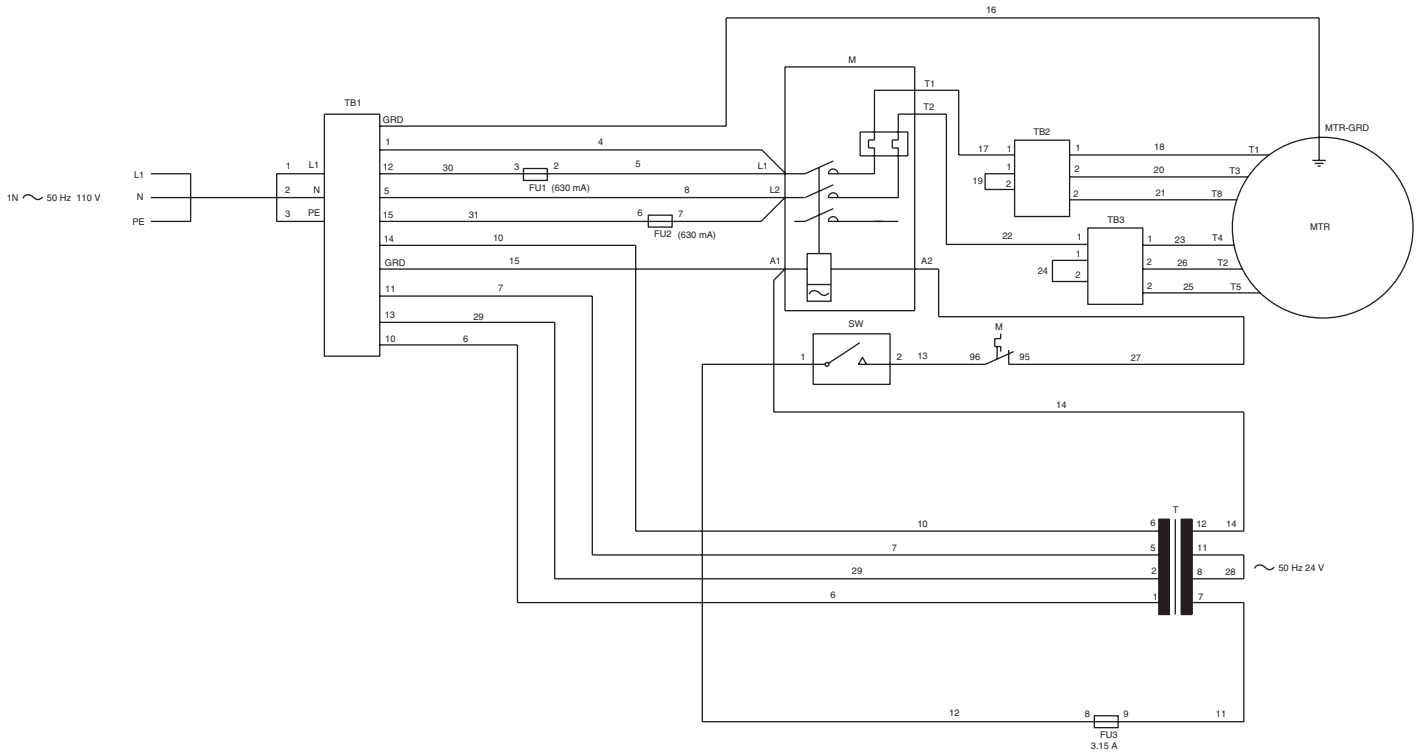


For **MODEL B PE8, PE17 & PE46 Series pumps, 220 V.**
with single phase induction motors and manifolds or manual valves:

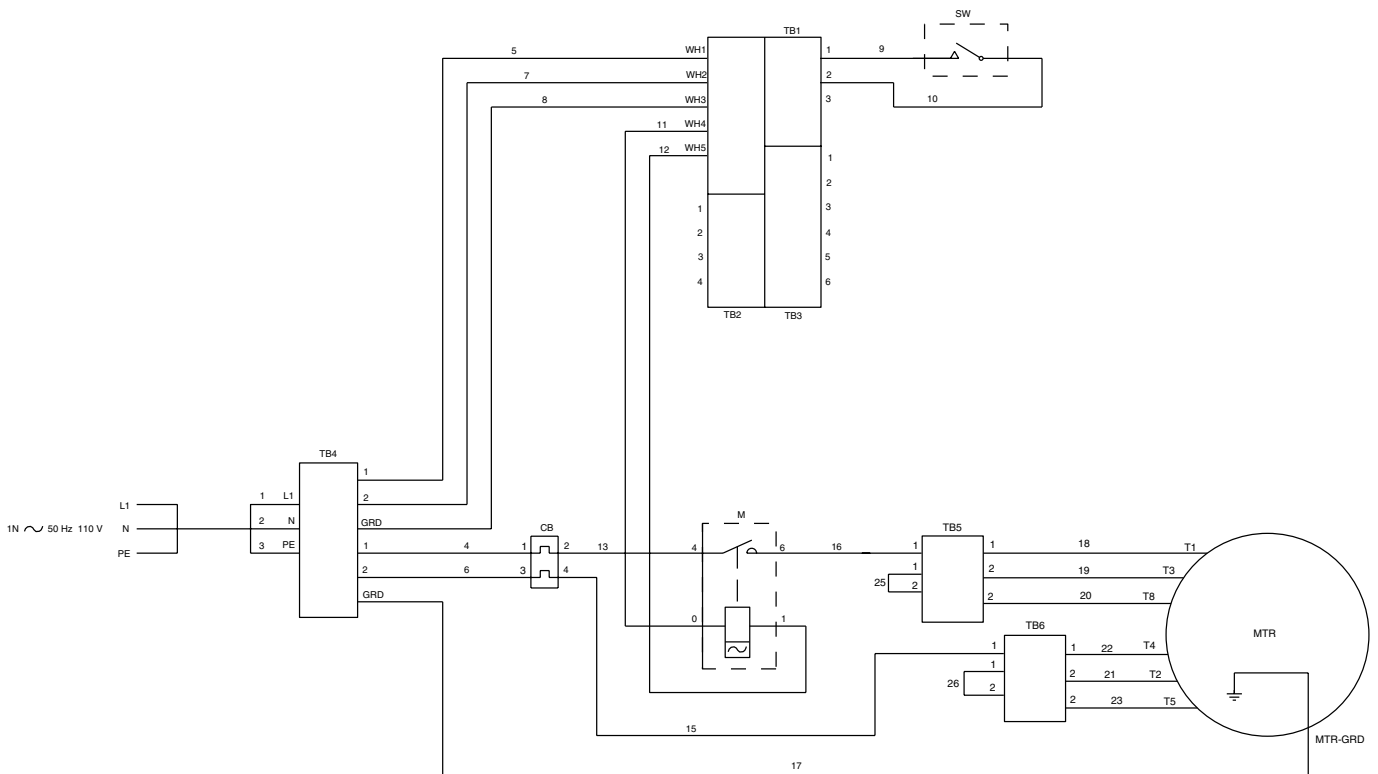


Note: This schematic changed at last revision(s) made to this form.

**For MODEL A PE8, PE17 & PE46 Series pumps, 110 V.
with single phase induction motors and manifolds or manual valves:**

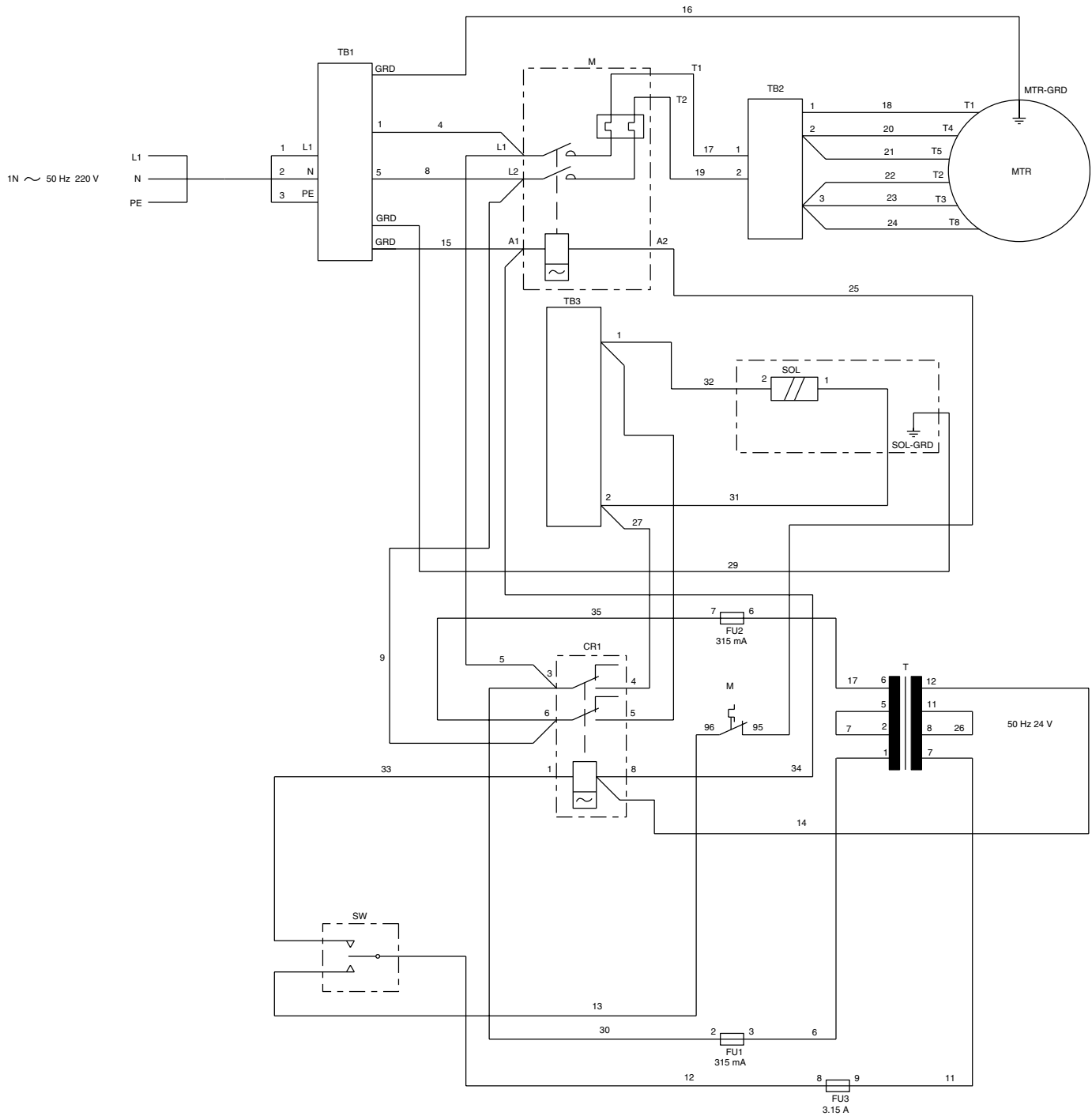


**For MODEL B PE8, PE17 & PE46 Series pumps, 110 V.
with single phase induction motors and manifolds or manual valves:**

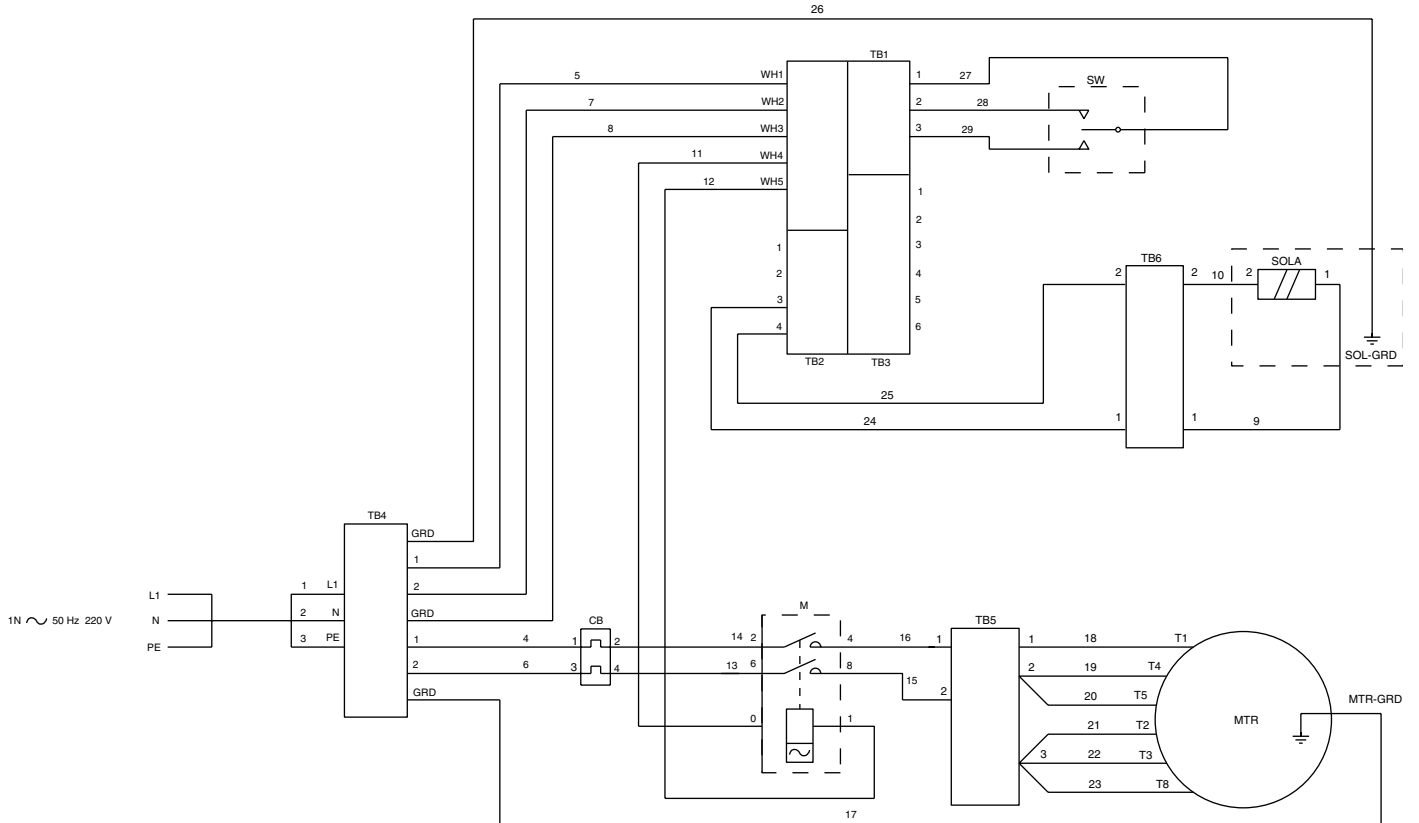


Note: This schematic changed at last revision(s) made to this form.

For **MODEL A PE8, PE17 & PE46 Series pumps, 220 V.**
 with single phase induction motors and solenoid (1 coil) controlled valves:

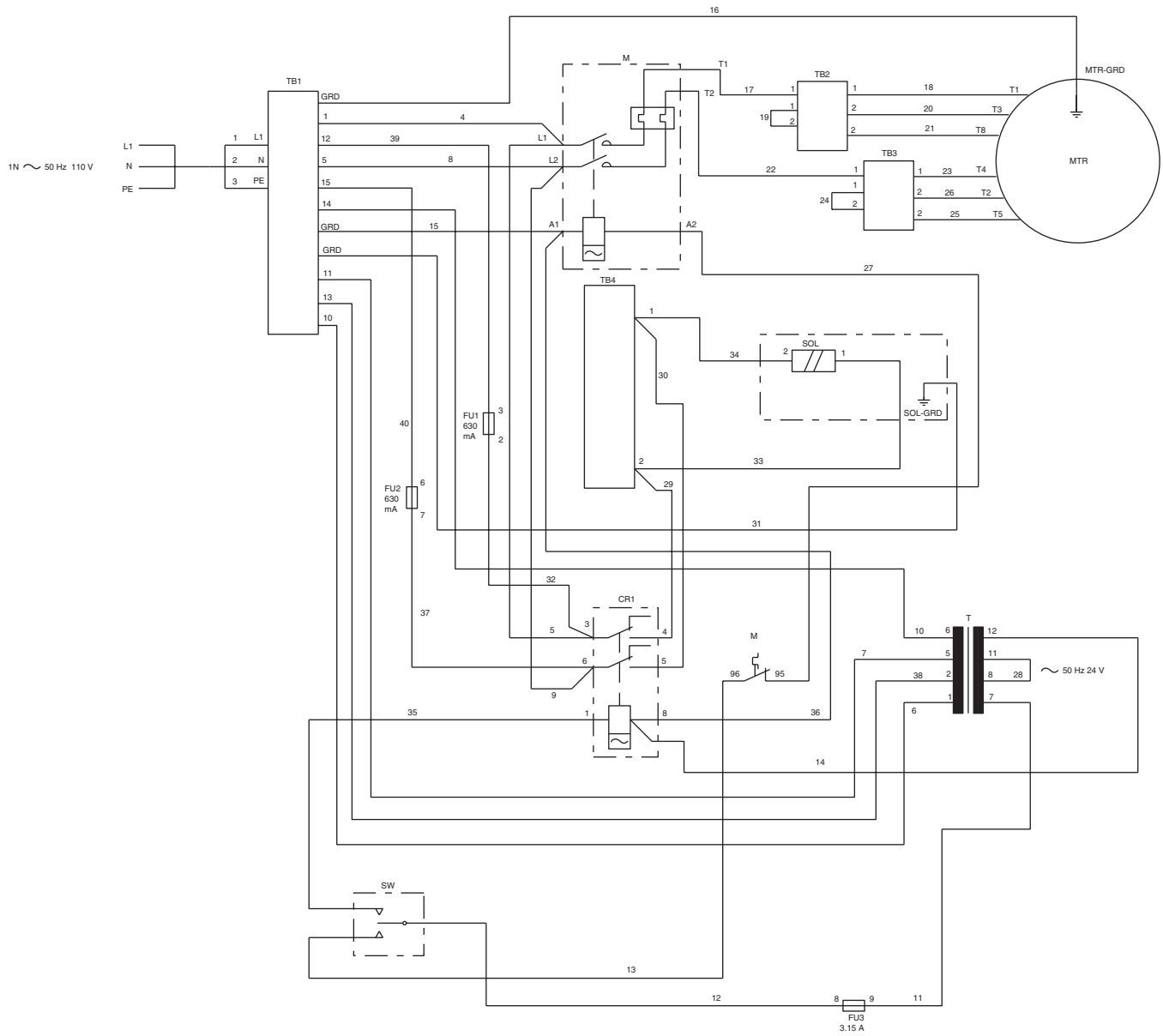


For **MODEL B PE8, PE17 & PE46 Series pumps, 220 V.**
 with single phase induction motors and solenoid (1 coil) controlled valves:

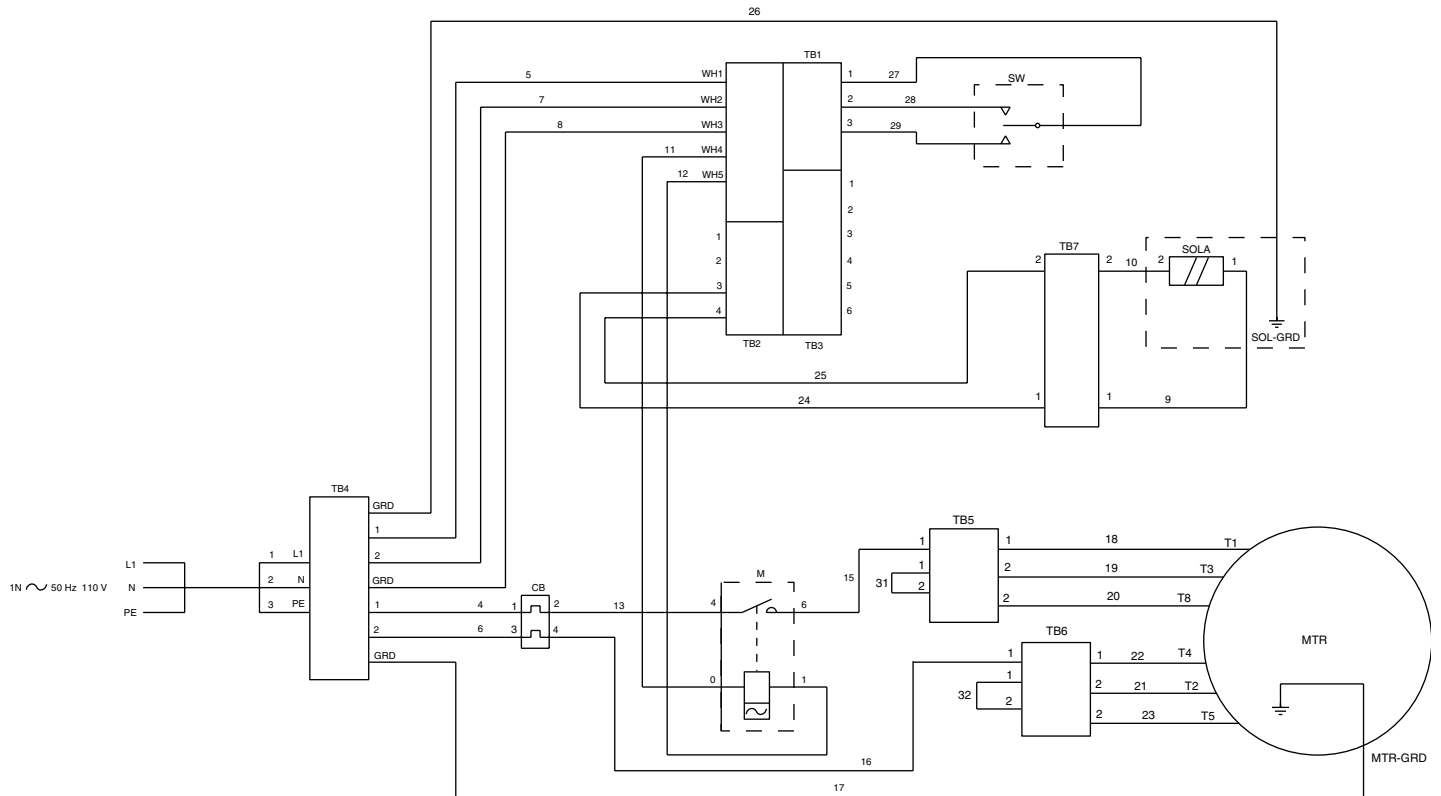


Note: This schematic changed at last revision(s) made to this form.

For **MODEL A PE8, PE17 & PE46 Series pumps, 110 V.**
 with single phase induction motors and solenoid (1 coil) controlled valves:

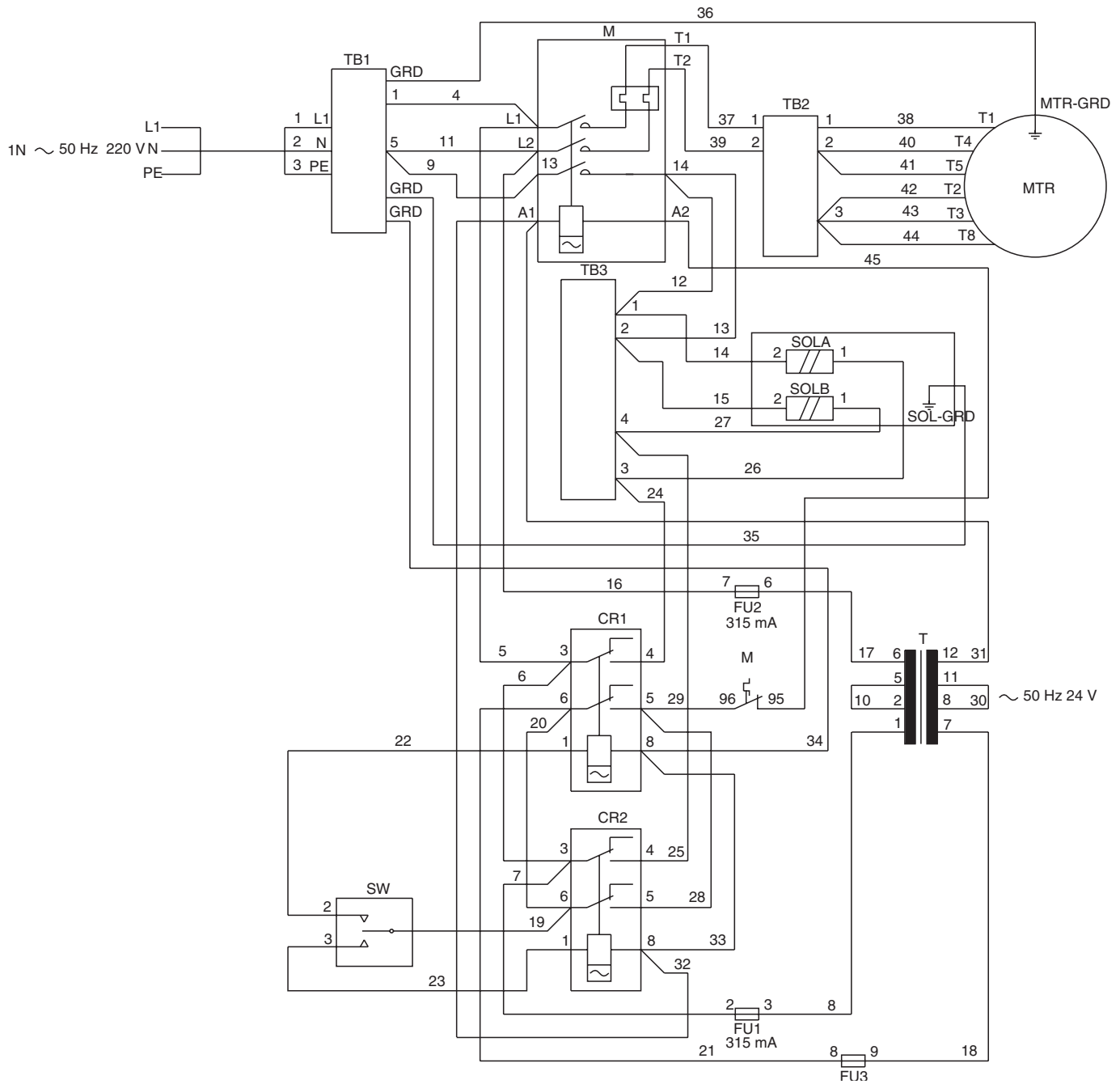


For **MODEL B PE8, PE17 & PE46 Series pumps, 110 V.**
 with single phase induction motors and solenoid (1 coil) controlled valves:

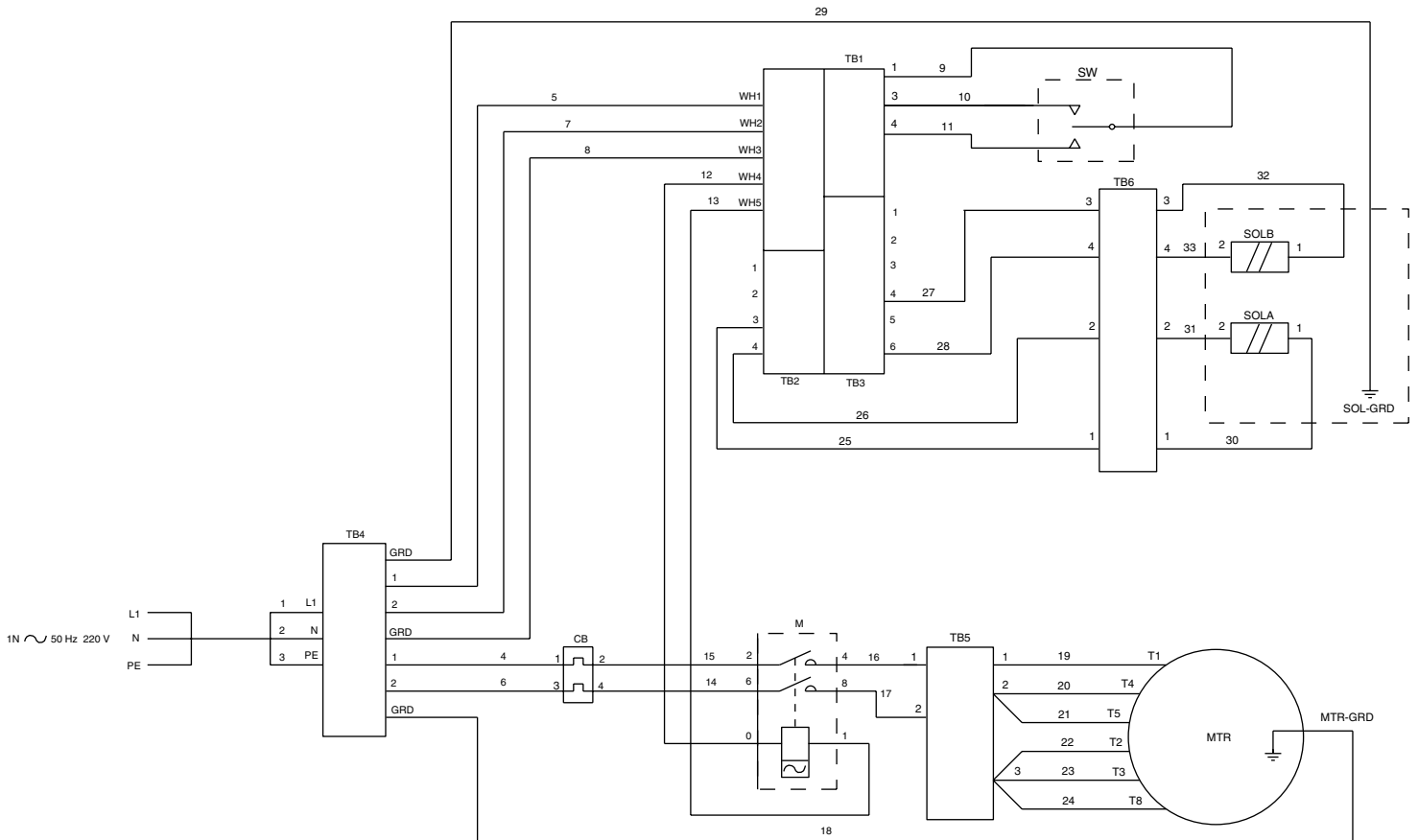


Note: This schematic changed at last revision(s) made to this form.

For **MODEL A PE8, PE17 & PE46 Series pumps, 220 V.**
 with single phase induction motors and solenoid (2 coils) controlled valves:



For **MODEL B PE8, PE17 & PE46 Series pumps, 220 V.**
 with single phase induction motors and solenoid (2 coils) controlled valves:



Note: This schematic changed at last revision(s) made to this form.

For **MODEL A PE8, PE17 & PE46 Series pumps**
with single phase induction motors and solenoid controlled valves and pressure switch:

