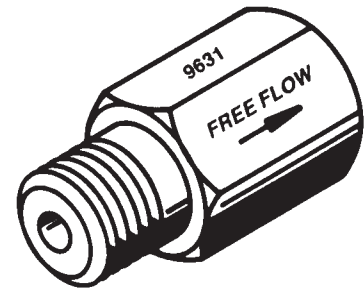


## METERING VALVE

Max. Capacity: 10,000 PSI

SPECIFICATIONS	
Max. Working Pressure	10,000 PSI
Max. Flow Rating	10 GPM
Port Sizes	3/8 NPTF



The #9631 Metering Valve helps prevent damage to the pump's flow control valve when a large volume of oil under pressure is decompressed.

## SAFETY PRECAUTIONS

**⚠ WARNING:** To help avoid personal injury:

Before operating the pump, all hose connections must be tightened with the proper tools. Do not overtighten. Connections should only be tightened securely and leak-free. Overtightening can cause premature thread failure or high pressure fittings to split at pressures lower than their rated capacities.

Should a hydraulic hose ever rupture, burst, or need to be disconnected, immediately shut off the pump and shift the control valve twice to release all pressure. Never attempt to grasp a leaking pressurized hose with your hands. The force of escaping hydraulic fluid could cause serious injury.

Do not subject the hose to potential hazard such as fire, sharp surfaces, or extreme heat or cold, or heavy impact. Do not allow the hose to kink, twist, curl or bend so tightly that the oil flow within the hose is blocked or reduced. Periodically inspect the hose for wear, because any of these conditions can damage the hose.

Do not use the hose to move attached equipment. Stress can damage the hose, resulting in possible personal injury.

Hose material and coupler seals must be compatible with the hydraulic fluid used. Hoses also must not come in contact with corrosive materials such as creosote-impregnated objects and some paints. Consult the manufacturer before painting a hose. Never paint the couplers. Hose deterioration due to corrosive materials can result in personal injury.

## OPERATING INSTRUCTIONS

### IMPORTANT:

To prevent equipment damage, all components must be rated for 10,000 PSI.

Seal all pipe connections with Power Team HT56 thread sealant. Teflon tape can also be used to seal hydraulic connections if only one layer of tape is used. Apply tape carefully, two threads back, to prevent it from being pinched by the fitting and broken off inside the pipe end. Loose pieces of tape could travel through the system and obstruct the flow of oil or cause jamming of precision-fit parts.

**NOTE:** #9631 Metering Valve is preset at the factory and is not adjustable. Contact the Technical Services Department, Power Team Division for service information

Thread the Metering Valve (#9631) into the valve body as shown in Figure 1. Free flow direction is indicated on the Metering Valve. Metered flow (The opposite direction of the arrow) is limited to approximately 50 cu. in. per minute if the surge of return flow exceeds 5-10 GPM after the valve is shifted. Return flow is not metered below the 5-10 GPM required to close the orifice poppet.

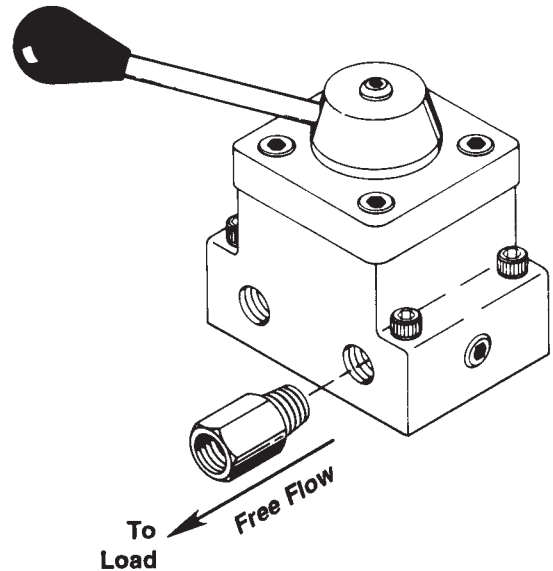


FIGURE 1

## TYPICAL APPLICATION

