



SPX Corporation
5885 11th Street
Rockford, IL 61109-3699 USA
Internet Address:
<http://www.powerteam.com>
Tech. Services: (800) 477-8326
Fax: (800) 765-8326
Order Entry: (800) 541-1418
Fax: (800) 288-7031



SPX Corporation
655 Eisenhower Drive
Owatonna, MN 55060-0995 USA
Phone: (507) 455-7000
Tech. Services: (800) 533-6127
Fax: (800) 955-8329
Order Entry: (507) 455-1480
Fax: (800) 283-8665
International Sales: (507) 455-7223
Fax: (507) 455-7746

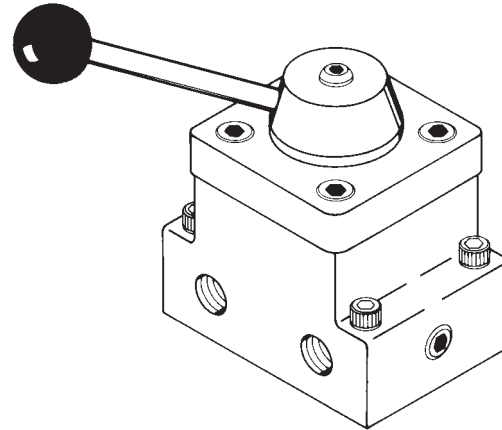
Operating & Installation Instructions for:

9500	9505	9509
9501	9506	9511
9502	9507	9520
9504	9508	
9504-PARK	9508-BOC	

2-POSITION/3-POSITION, 3-WAY/4-WAY MANUAL CONTROL VALVE

Max. Capacity: 10,000 PSI

SPECIFICATIONS	
MAX. WORKING PRESSURE	10,000 PSI
MAX. FLOW RATING	5 GPM
MAX. VALVE CASE (RETURN LINE) PRESSURE	500 PSI
PORT SIZES	3/8 NPTF



NOTE:

- Inspect the valve upon arrival. The carrier, not the manufacturer, is responsible for any damage resulting from shipment.
- Read and carefully follow these instructions. Most problems with new equipment are caused by improper operation or installation.

SAFETY PRECAUTIONS

WARNING

To help prevent personal injury:

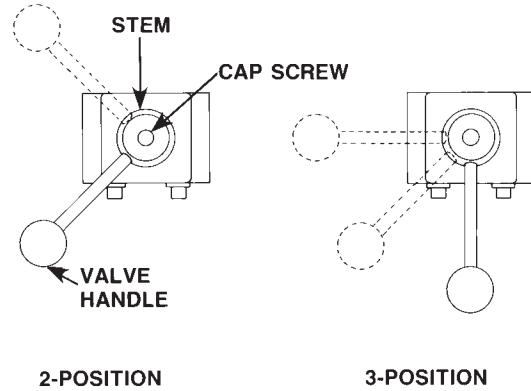
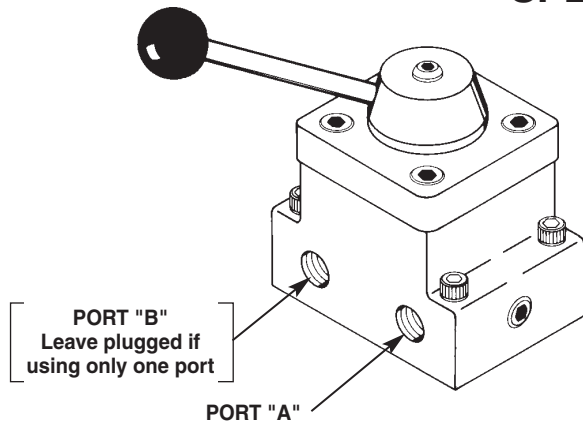
- Before operating the pump, all hose connections must be tightened with the proper tools. Do not overtighten. Connections should only be tightened securely and leak-free. Overtightening can cause premature thread failure or high pressure fittings to split at pressures lower than their rated capacities.
- Should a hydraulic hose ever rupture, burst, or need to be disconnected, immediately shut off the pump and shift the control valve twice to release all pressure. Never attempt to grasp a leaking pressurized hose with your hands. The force of escaping hydraulic fluid could cause serious injury.
- Do not subject the hose to potential hazard such as fire, sharp surfaces, extreme heat or cold, or heavy impact. Do not allow the hose to kink, twist, curl or bend so tightly that the oil flow within the hose is blocked or reduced. Periodically inspect the hose for wear, because any of these conditions can damage the hose.
- Do not use the hose to move attached equipment. Stress can damage the hose, resulting in possible personal injury.
- Hose material and coupler seals must be compatible with the hydraulic fluid used. Hoses also must not come in contact with corrosive materials such as creosote-impregnated objects and some paints. Consult the manufacturer before painting a hose. Never paint the couplers. Hose deterioration due to corrosive materials can result in personal injury.

Note: Shaded areas reflect last revision(s) made to this form.

Sheet No. 1 of 1

Issue Date: Rev. 3-30-96

SPECIFICATIONS



NOTE:

- This valve is a low torque design for use with double-acting or single-acting cylinder(s).
- If this valve is to be used as a 3-way with single-acting cylinder(s), one port (A or B) must remain plugged.
- Valve handle can be moved to the desired position by loosening the cap screw and rotating in increments of 22-1/2°. Torque cap screw to 60/80 in. lbs.

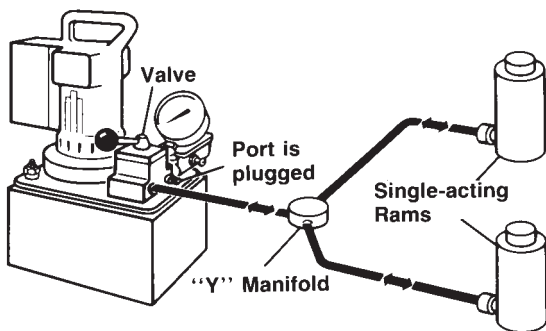
CONTROL VALVE SET-UP PROCEDURE

This pump-mounted valve can be connected in a variety of ways. The following steps will help ensure a safe, efficient, and trouble-free set-up.

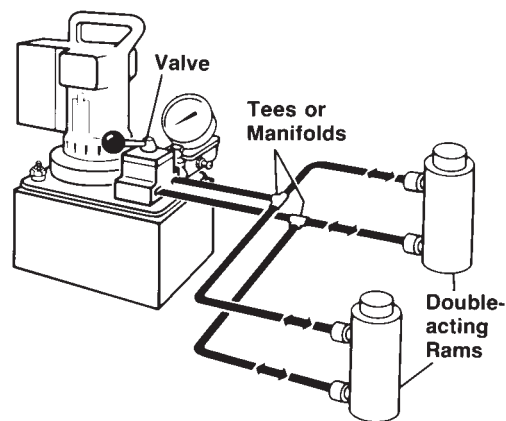
1. Remove port plugs from the pump, valve(s) and cylinder(s).
2. Seal all pipe connections with a high grade of thread sealant such as Power Team HTS6. Teflon tape can be used if only one layer is applied carefully, two threads back, to prevent it from being pinched by the fitting and broken off inside the pipe end. Loose pieces of tape could travel through the system and obstruct the flow of oil or cause jamming of precision-fit parts.
3. Refer to the appropriate valve parts list for a hydraulic schematic.
4. For subplate-mounted valves, refer to Operating & Installation Instructions #102529 for mounting information.

TYPICAL WORK HOLDING APPLICATIONS

Shown below are two typical work holding applications. Direct any questions about set-up to the appropriate Technical Services staff as listed at the top of page 1 of 1.



SINGLE-ACTING CYLINDER(S) IN THE CIRCUIT CONTROLLED BY A PUMP-MOUNTED VALVE



DOUBLE-ACTING CYLINDER(S) IN THE CIRCUIT CONTROLLED BY A PUMP-MOUNTED VALVE