

TELESCOPING HYDRAULIC JACK

Maximum Capacity: 15 Ton

Read and carefully follow the warnings and operating instructions before using this jack. Most problems with new equipment are caused by improper operation or setup.

NOTE: Inspect the jack upon arrival. The carrier, not the manufacturer, is responsible for any damage resulting from shipment.

SAFETY PRECAUTIONS



WARNING: To help prevent personal injury or damage to equipment,

- Do not exceed the maximum load capacity of the jack.
- Do not add additional load to a lifted load.
- Do not use in unstable or hazardous positions.
- Unit must be used on flat surfaces able to carry the load.
- Keep clear of lifted loads.
- The load must be stable during lifting. An unstable load may cause the jack or load to slip.
- Do not use the jack(s) if damaged, altered, or in poor condition.
- Do not lift people or loads with people on them.
- This hydraulic jack is for professional use only and should be used only by persons trained in its use.
- Use only Power Team hydraulic fluid in this unit.
- Do NOT, under any circumstances, tamper with the adjustment of the jack's internal relief valve screw. To do so may cause the jack to fail.
- Read operating instructions and A.N.S.I. B30.1 safety code for jacks.
- The owner of the jack must ensure that all safety-related decals are maintained and replaced as they become hard to read.
- This guide cannot cover every situation, so always do the job with safety first.

OPERATING INSTRUCTIONS

IMPORTANT: Do not carry the jack by the jacking lever.

Lifting a Load

1. Position the load on the jack.



WARNING: The load must be stable during lifting. An unstable load may cause the jack or load to slip.

2. Turn the release valve knob in a clockwise direction until it is snug.
3. Pump the jacking lever in an up and down motion.

Lowering a Load

1. Slowly loosen the release valve knob by turning it in a counterclockwise direction. The more the knob is loosened, the faster the load will be lowered. To stop the jack from lowering a load, tighten the release valve knob by turning it in a clockwise direction.

PREVENTIVE MAINTENANCE

IMPORTANT: The greatest single cause of failure in hydraulic units is dirt. Keep the jack clean and well lubricated to prevent foreign matter from entering the system. If the jack has been exposed to rain, snow, sand, or grit, it must be cleaned before it is used.

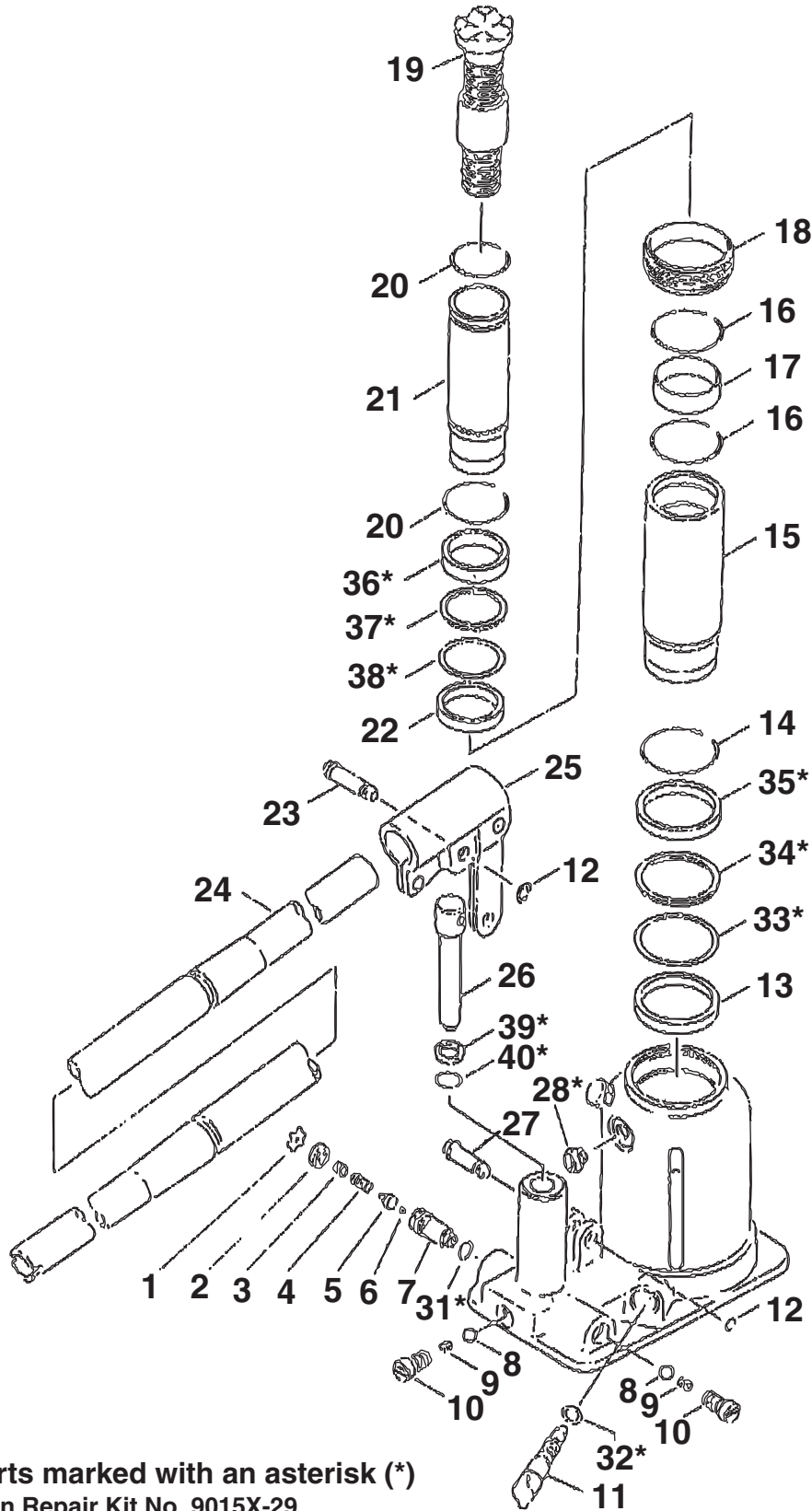
1. When the jack is not in use, keep the piston and pump rods fully retracted. Store the jack on its base and in a well protected area where it will not be exposed to corrosive vapors, abrasive dust, or any other harmful elements.
2. Visually inspect the jack before each use. Take corrective action if any of the following problems are found:
 - a. Cracked or damaged housing
 - b. Excessive wear, bending, or other damage
 - c. Leaking hydraulic fluid
 - d. Scored or damaged piston rod
 - e. Incorrectly functioning swivel heads or adjusting screws
 - f. Loose hardware
 - g. Modified or altered equipment

TROUBLE-SHOOTING GUIDE

Repair procedures must be performed in a dirt-free environment by qualified personnel who are familiar with this equipment.

TROUBLE	CAUSE	SOLUTION
Erratic Action	<ol style="list-style-type: none"> 1. Air in system 2. Viscosity of oil too high 3. Internal leakage in cylinder 4. Cylinder sticking or binding 	<ol style="list-style-type: none"> 1. With jack sitting on its base and ram retracted, bleed air by opening release valve. Pump for 10 seconds. 2. Change to lower viscosity oil. 3. Replace worn seals. Check for excessive contamination or wear. 4. Check for dirt, gummy deposits, or leaks. Check for misalignment, worn parts, or defective seals.
Jack does not advance	<ol style="list-style-type: none"> 1. Release valve is open 2. Low/no oil in reservoir 3. Air-locked system 4. Load is above capacity of system 	<ol style="list-style-type: none"> 1. Close release valve 2. Fill with oil and bleed system 3. Bleed the system 4. Use correct equipment
Jack only extends partially	<ol style="list-style-type: none"> 1. Reservoir is low on oil 2. Piston rod is binding 	<ol style="list-style-type: none"> 1. Fill reservoir 2. Check for dirt, gummy deposits, or leaks. Check for misalignment, worn parts, or defective seals.
Jack advances slowly	<ol style="list-style-type: none"> 1. Pump not working correctly 2. Leaking seals 	<ol style="list-style-type: none"> 1. Rework pump 2. Replace seals
Jack advances but doesn't hold pressure	<ol style="list-style-type: none"> 1. Cylinder seals are leaking 2. Pump check valve not working correctly 3. Overload valve leaking or not adjusted correctly 	<ol style="list-style-type: none"> 1. Replace seals 2. Clean/replace check valve 3. Replace/adjust overload valve
Jack leaks oil	<ol style="list-style-type: none"> 1. Worn or damaged seals 	<ol style="list-style-type: none"> 1. Replace seals
Jack will not retract or retracts slowly	<ol style="list-style-type: none"> 1. Release valve is closed 2. Cylinder damaged internally 3. Reservoir too full 	<ol style="list-style-type: none"> 1. Open release valve 2. Send jack to authorized service center for repair 3. Drain oil to correct level

PARTS LIST



* = Parts marked with an asterisk (*)
are in Repair Kit No. 9015X-29.

Item No.	Part No.	No. Req'd	Description
1	9015X-1	1	Safety Valve Push Nut
2	9015X-2	1	Safety Valve Packing
3	9015X-3	1	Safety Valve Screw
4	9015X-4	1	Safety Valve Spring
5	9015X-5	1	Safety Valve Ball Guide
6	9015X-6	1	Safety Valve Ball
7	9015X-7	1	Safety Valve Body
8	9015X-8	2	Valve Ball
9	9015X-9	2	Valve Spring
10	9015X-10	2	Valve Plug
11	9015X-11	1	Release Assembly
12	9015X-12	2	Snap Ring
13	9015X-13	1	2nd Guide
14	9015X-14	1	2nd Outer Stopper Ring
15	9015X-15	1	2nd Ram
16	9015X-16	2	2nd Inner Stopper Ring
17	9015X-17	1	2nd Stuffing Ring
18	9015X-18	1	Stuffing Ring
19	9015X-19	1	Adjusting Screw Assembly
20	9015X-20	2	1st Stopper Ring
21	9015X-21	1	1st Ram
22	9015X-22	1	1st Guide
23	9015X-23	1	Pump Plunger Pin
24	9015X-24	1	Handle
25	9015X-25	1	Handle Socket Assembly
26	9015X-26	1	Pump Plunger
27	9015X-27	1	Pump Stay Pin
28	*9015X-28	1	Filler Plug
31	*9015X-31	1	Safety Valve O-ring
32	*9015X-32	1	Release Packing
33	*9015X-33	1	2nd Ram O-ring
34	*9015X-34	1	2nd Backup Ring
35	*9015X-35	1	2nd Packing
36	*9015X-36	1	1st Packing
37	*9015X-37	1	1st Backup Ring
38	*9015X-38	1	1st Ram O-ring
39	*9015X-39	1	Pump Backup Ring
40	*9015X-40	1	Pump Packing

PARTS INCLUDED BUT NOT SHOWN

421700	1	Decal
--------	---	-------

Part numbers marked with an asterisk (*) are contained in Repair Kit No. 9015X-29.

Note: This page changed at the last revision to this form.
--