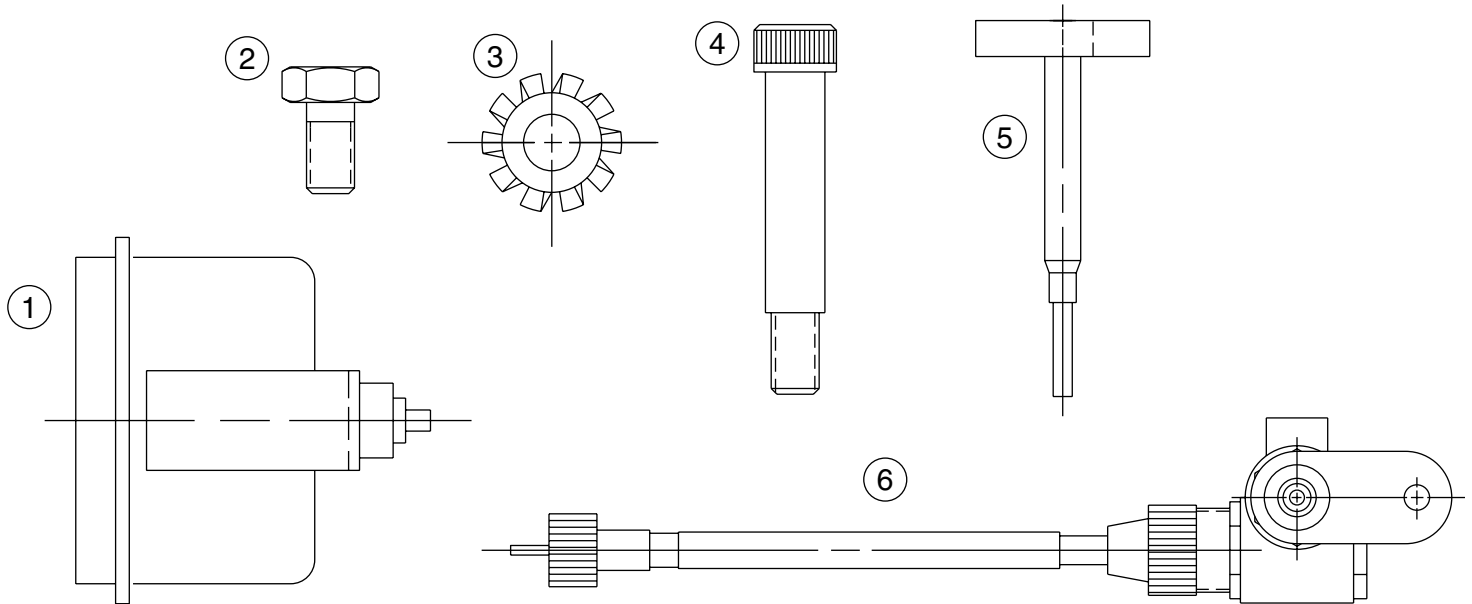


**Conversion Kit Parts List and
Assembly Instructions for:**

HT50A (Model A & B)	Y90
4235 (Model A & B)	Y91
HT50	Y92
	Y93

**SINGLE AND DUAL STAGE
HYDRAULIC TESTER CONVERSION KIT
#300915**



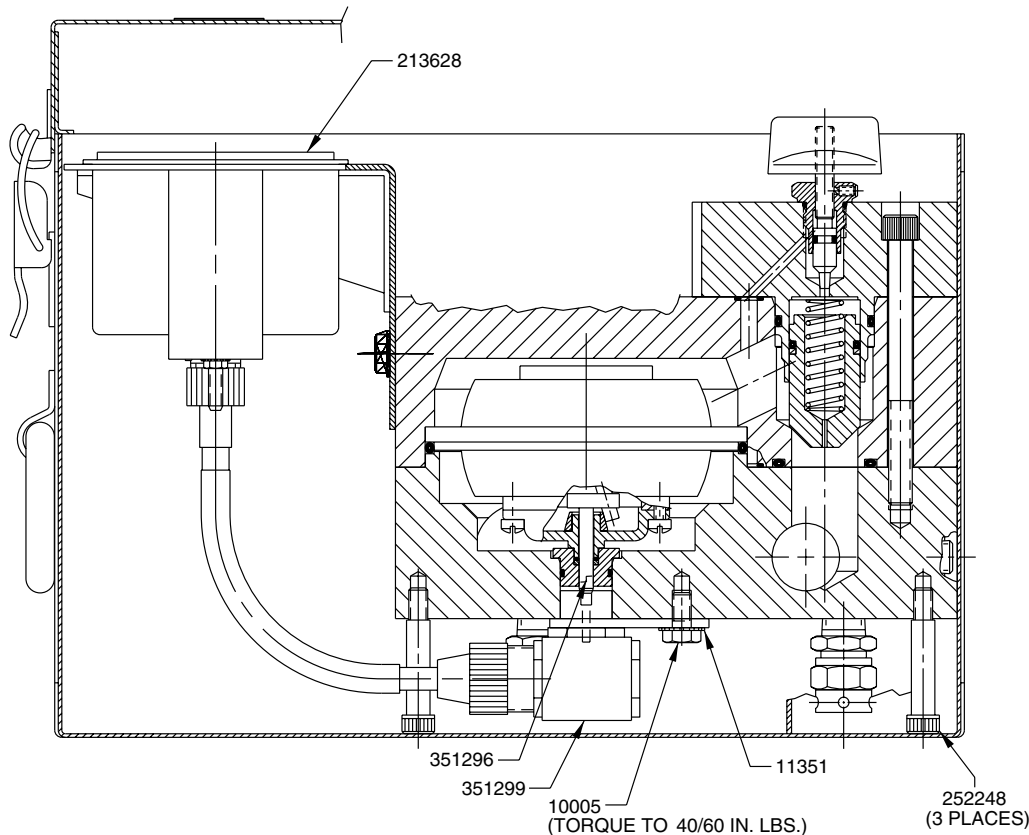
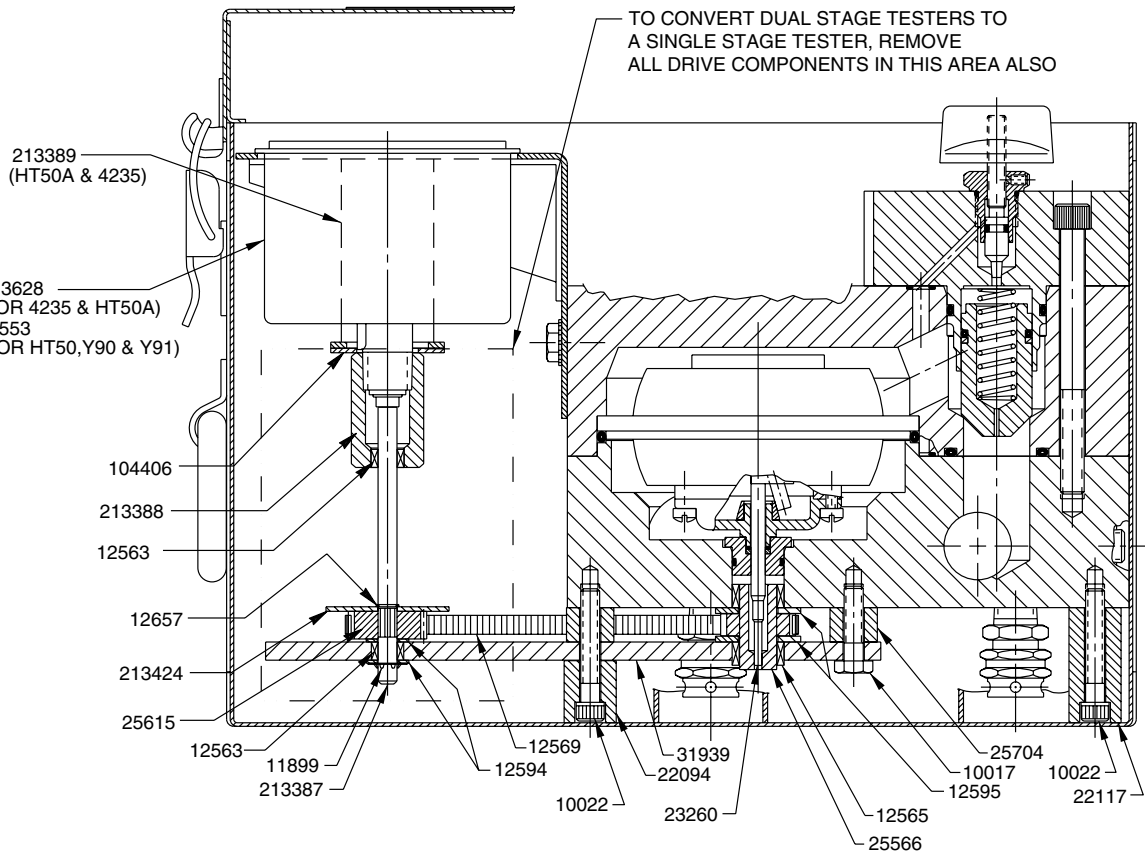
Item No.	Part No.	No. Req'd	Description
1	213628	1	Tachometer
2	10005	1	Cap Screw (1/4-20 UNC x 1/2 Lg.)
3	11351	1	Washer (External Tooth)
4	252248	3	Screw (1/4-20 UNC x 1-1/4 Lg.)
5	351296	1	Drive Shaft
6	351299	1	90° Drive Adapter

PARTS INCLUDED BUT NOT SHOWN

351317	1	Trade Name Decal (Power Team)
351318	1	Trade Name Decal (OTC)

ASSEMBLY INSTRUCTIONS

STEP 1:
Disassemble and discard all the parts identified in the illustration at the right from Models A & B hydraulic flow testers.



STEP 2: Install the conversion kit parts as identified in the illustration at the left to convert your flow tester into a Model C single stage flow tester. Place appropriate new trade name decal over old trade name decal.