

2 1/2" SQUARE DRIVE

ADAPTERS

| SQUARE SIZE | | CATALOG No. | D mm | L mm | Weight gr |
|-------------|--------|-------------|---------|---------|--------------|
| FEMALE | MALE | | | | |
| 2 1/2" | 1 1/2" | A4024 | 127 | 138 | 6560 |
| 2 1/2" | 3 1/2" | A4056 | 127 | 142 | 7960 |

INSERT ADAPTERS

| SQUARE SIZE | | CATALOG No. | D mm | L mm | Weight gr |
|-------------|--------|-------------|---------|---------|--------------|
| FEMALE | MALE | | | | |
| 1" | 1-1/2" | AS1624 | 84 | 45 | 569 |
| 1-1/2" | 2-1/2" | AS2440 | 137 | 65 | 2290 |

TWO SIDE FEMALE ADAPTERS

| SQUARE SIZE | | CATALOG No. | D mm | L mm | Weight gr |
|-------------|--------|-------------|---------|---------|--------------|
| S 1 | S 2 | | | | |
| 2 -1/2" | 1-1/2" | AN4024 | 127 | 115 | 6500 |
| 2 -1/2" | 2-1/2" | AN4040 | 127 | 117 | 7400 |
| 3 -1/2" | 2-1/2" | AN5640 | 175 | 161 | 16120 |

TWO SIDE MALE ADAPTERS

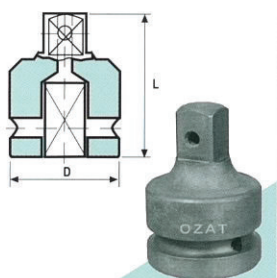
| SQUARE SIZE(S) | CATALOG No. | D mm | L mm | Weight gr |
|----------------|-------------|---------|---------|--------------|
| 2 1/2" | Z4005 | 84 | 127 | 5000 |
| 2 1/2" | Z4006 | 84 | 152 | 6000 |
| 2 1/2" | Z4008 | 84 | 203 | 7500 |
| 2 1/2" | Z4010 | 84 | 254 | 9500 |
| 2 1/2" | Z4015 | 84 | 381 | 15000 |
| 2 1/2" | Z4020 | 84 | 508 | 20500 |
| 2 1/2" | Z4026 | 84 | 660 | 26500 |

UNIVERSAL JOINT

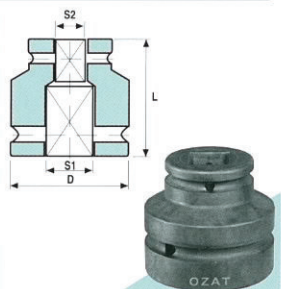
| SQUARE SIZE | CATALOG No. | D mm | L mm | Weight gr |
|-------------|-------------|---------|---------|--------------|
| 2 1/2" | U4040 | 127 | 200 | 12300 |

RETAINING PINS AND RING

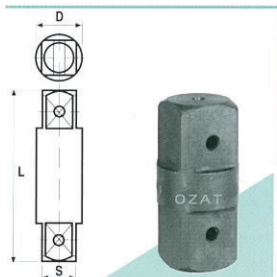
| FOR SOCKET | | CATALOG No. | | PIN | | RING |
|-------------|------------------------|---------------|----------------|---------|---------|---------|
| SQUARE SIZE | DIAMETER OF SQUARE END | RETAINING PIN | RETAINING RING | d mm | L mm | D mm |
| 2 1/2" | 127 | P40127 | R40127 | 8 | 110 | 114 |
| 2 1/2" | 150 | P40150 | R40150 | 8 | 133 | 136 |
| 2 1/2" | 175 | P40175 | R40175 | 8 | 158 | 162 |



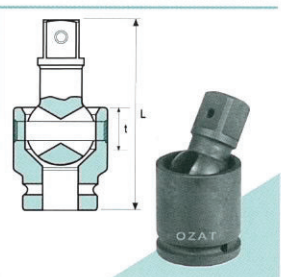
ADAPTERS



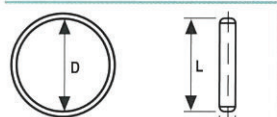
TWO SIDE FEMALE ADAPTERS



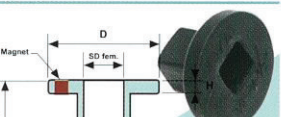
TWO SIDE MALE ADAPTERS



UNIVERSAL JOINT



RETAINING PINS AND RING

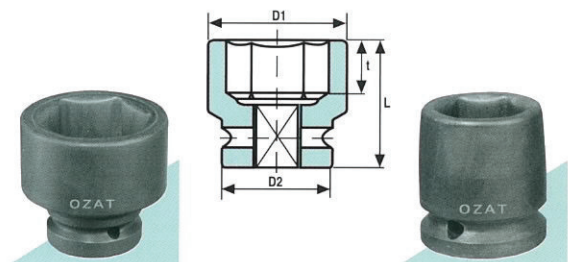


INSERT ADAPTER

3 1/2" SQUARE DRIVE

6 POINT IMPACT SOCKETS REGULAR LENGTH

| NOMINAL OPENING mm | A/F Inch | CATALOG No. | D | | L mm | t mm | Weight gr |
|-----------------------|-------------|-------------|----------|----------|---------|---------|--------------|
| | | | D1 mm | D2 mm | | | |
| 100 | 3 7/8" | 5662 | 175 | 175 | 165 | 54.0 | 19200 |
| | 3 15/16" | 5663M100 | 175 | 175 | 165 | 54.0 | 19200 |
| | 4" | 5664 | 175 | 175 | 165 | 54.0 | 19200 |
| 105 | 4 1/16" | 5665 | 175 | 175 | 165 | 54.0 | 19200 |
| | 4 1/8" | 5666M105 | 175 | 175 | 165 | 54.0 | 19200 |
| | 4 3/16" | 5667 | 175 | 175 | 174 | 62.0 | 19200 |
| 110 | 4 1/4" | 5668 | 175 | 175 | 174 | 62.0 | 19200 |
| | 4 5/16" | 5669M110 | 175 | 175 | 174 | 62.0 | 19200 |
| | 4 3/8" | 5670 | 175 | 175 | 174 | 62.0 | 19200 |
| 115 | 4 7/16" | 5671 | 175 | 175 | 174 | 62.0 | 19200 |
| | 4 1/2" | 5672 | 175 | 175 | 174 | 62.0 | 19200 |
| | | 56M115 | 175 | 175 | 174 | 62.0 | 19200 |
| 120 | 4 5/8" | 5674 | 175 | 175 | 182 | 67.0 | 20100 |
| | | 56M120 | 175 | 175 | 182 | 67.0 | 20100 |
| | 4 3/4" | 5676 | 175 | 175 | 182 | 67.0 | 20100 |
| 125 | 4 7/8" | 5678 | 175 | 175 | 182 | 67.0 | 20100 |
| | | 56M125 | 175 | 175 | 182 | 67.0 | 20100 |
| | 5" | 5680 | 190 | 175 | 190 | 72.0 | 22200 |
| 130 | 5 1/8" | 5682M130 | 190 | 175 | 198 | 76.0 | 22200 |
| | 5 3/16" | 5683 | 190 | 175 | 198 | 76.0 | 22200 |
| | 5 1/4" | 5684 | 190 | 175 | 198 | 76.0 | 22200 |
| 135 | 5 5/16" | 5685M135 | 190 | 175 | 198 | 76.0 | 22200 |
| | 5 3/8" | 5686 | 200 | 175 | 198 | 76.0 | 23000 |
| | 5 1/2" | 5688M140 | 200 | 175 | 205 | 79.0 | 23000 |
| 140 | 5 5/8" | 5690 | 210 | 175 | 212 | 83.0 | 33100 |
| | | 56M145 | 210 | 175 | 212 | 83.0 | 33100 |
| | 5 3/4" | 5692 | 210 | 175 | 212 | 83.0 | 33100 |
| 145 | 5 7/8" | 5694M150 | 210 | 175 | 212 | 88.0 | 33100 |
| | 6" | 5696 | 220 | 175 | 214 | 88.0 | 36000 |
| | | 56M155 | 220 | 175 | 214 | 88.0 | 36000 |
| 150 | 6 1/8" | 5698 | 220 | 175 | 214 | 88.0 | 36000 |
| | 6 1/4" | 56100 | 220 | 175 | 218 | 91.0 | 36000 |
| | | 56M160 | 220 | 175 | 218 | 91.0 | 36000 |
| 155 | 6 3/8" | 56102 | 230 | 175 | 218 | 91.0 | 40000 |
| | 6 1/2" | 56104M165 | 230 | 175 | 230 | 94.0 | 40000 |
| | 6 5/8" | 56106 | 240 | 175 | 230 | 94.0 | 46000 |
| 160 | | 56M170 | 240 | 175 | 230 | 94.0 | 46000 |
| | 6 3/4" | 56108 | 240 | 175 | 230 | 99.0 | 46000 |
| | 6 7/8" | 56110M175 | 250 | 175 | 230 | 99.0 | 52000 |
| 165 | 7" | 56112 | 250 | 175 | 237 | 104.0 | 52000 |
| | | 56M180 | 250 | 175 | 237 | 104.0 | 52000 |
| | 7 1/8" | 56114 | 250 | 175 | 237 | 104.0 | 52000 |
| 170 | 7 1/4" | 56116M185 | 260 | 175 | 237 | 104.0 | 59000 |
| | 7 3/8" | 56118 | 260 | 175 | 242 | 107.0 | 59000 |
| | | 56M190 | 260 | 175 | 242 | 107.0 | 59000 |
| 175 | 7 1/2" | 56120 | 260 | 175 | 242 | 107.0 | 59000 |
| | 7 5/8" | 56122M195 | 270 | 175 | 246 | 109.0 | 62000 |
| | 7 3/4" | 56124 | 270 | 175 | 249 | 112.0 | 62000 |
| 180 | 7 13/16" | 56125M200 | 280 | 175 | 249 | 112.0 | 70000 |
| | 7 7/8" | 56126 | 280 | 175 | 249 | 112.0 | 70000 |
| | 8" | 56128 | 280 | 175 | 256 | 115.0 | 70000 |
| 185 | | 56M205 | 290 | 175 | 256 | 115.0 | 72000 |
| | 8 1/8" | 56130 | 290 | 175 | 256 | 115.0 | 74000 |
| | 8 1/4" | 56132M210 | 290 | 175 | 256 | 115.0 | 74000 |
| 190 | 8 3/8" | 56134 | 290 | 175 | 263 | 120.0 | 74000 |
| | | 56M215 | 300 | 175 | 263 | 120.0 | 81000 |
| | 8 1/2" | 56136 | 300 | 175 | 267 | 122.0 | 81000 |
| 195 | | 56M220 | 300 | 175 | 270 | 124.0 | 81000 |
| | 8 7/8" | 56142M225 | 310 | 175 | 273 | 126.0 | 90000 |
| | 9" | 56144 | 310 | 175 | 276 | 128.0 | 90000 |
| 200 | | 56M230 | 310 | 175 | 276 | 128.0 | 90000 |
| | 9 1/8" | 56146 | 320 | 175 | 279 | 131.0 | 96000 |
| | | 56M235 | 320 | 175 | 279 | 131.0 | 96000 |
| 205 | 9 1/4" | 56148 | 320 | 175 | 285 | 133.0 | 96000 |
| | | 56M240 | 320 | 175 | 285 | 133.0 | 96000 |
| | 10 1/4" | 56164 | 340 | 175 | 330 | 145.0 | 128000 |

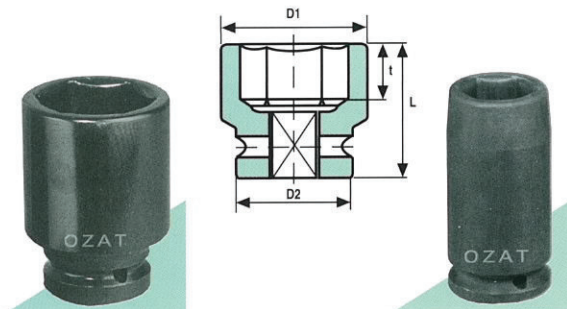




6 POINT IMPACT SOCKETS LONG



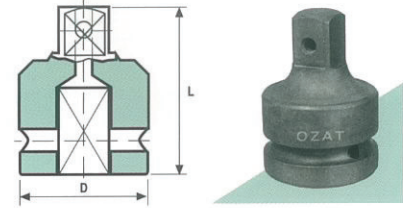
| NOMINAL OPENING | | D1 | D2 | L | t min | Weight | |
|-----------------|----------|------------|-----|-----|-------|--------|-------------|
| mm | A/F Inch | | | | | | CATALOG No. |
| 100 | 3 7/8" | 5662L | 175 | 175 | 277 | 54.0 | 32000 |
| | 3 15/16" | 5663M100L | 175 | 175 | 277 | 54.0 | 32000 |
| | 4" | 5664L | 175 | 175 | 277 | 54.0 | 32000 |
| 105 | 4 1/16" | 5665L | 175 | 175 | 277 | 54.0 | 32000 |
| | 4 1/8" | 5666M105L | 175 | 175 | 277 | 54.0 | 32000 |
| | 4 3/16" | 5667L | 175 | 175 | 277 | 62.0 | 32000 |
| 110 | 4 1/4" | 5668L | 175 | 175 | 277 | 62.0 | 32000 |
| | 4 5/16" | 5669M110L | 175 | 175 | 277 | 62.0 | 32000 |
| | 4 3/8" | 5670L | 175 | 175 | 277 | 62.0 | 32000 |
| 115 | 4 7/16" | 5671L | 175 | 175 | 277 | 62.0 | 32000 |
| | 4 1/2" | 5672L | 175 | 175 | 277 | 62.0 | 32000 |
| | | 56M115L | 175 | 175 | 277 | 62.0 | 32000 |
| 120 | 4 5/8" | 5674L | 175 | 175 | 277 | 67.0 | 32000 |
| | | 56M120L | 175 | 175 | 277 | 67.0 | 32000 |
| | 4 3/4" | 5676L | 175 | 175 | 277 | 67.0 | 32000 |
| 125 | 4 7/8" | 5678L | 175 | 175 | 277 | 67.0 | 32000 |
| | | 56M125L | 175 | 175 | 277 | 67.0 | 32000 |
| | 5" | 5680L | 190 | 175 | 277 | 72.0 | 35000 |
| 130 | 5 1/8" | 5682M130L | 190 | 175 | 280 | 76.0 | 35000 |
| | 5 3/16" | 5683L | 190 | 175 | 280 | 76.0 | 35000 |
| | 5 1/4" | 5684L | 190 | 175 | 280 | 76.0 | 35000 |
| 135 | 5 5/16" | 5685M135L | 190 | 175 | 280 | 76.0 | 35000 |
| | 5 3/8" | 5686L | 200 | 175 | 280 | 76.0 | 40000 |
| | 5 1/2" | 5688M140L | 200 | 175 | 288 | 79.0 | 40000 |
| 140 | 5 5/8" | 5690L | 210 | 175 | 295 | 83.0 | 45600 |
| | | 56M145L | 210 | 175 | 295 | 83.0 | 45600 |
| | 5 3/4" | 5692L | 210 | 175 | 295 | 83.0 | 45600 |
| 150 | 5 7/8" | 5694M150L | 210 | 175 | 295 | 88.0 | 45600 |
| | 6" | 5696L | 220 | 175 | 297 | 88.0 | 50200 |
| | | 56M155L | 220 | 175 | 297 | 88.0 | 50200 |
| 155 | 6 1/8" | 5698L | 220 | 175 | 297 | 88.0 | 50200 |
| | 6 1/4" | 56100L | 220 | 175 | 301 | 91.0 | 50200 |
| | | 56M160L | 220 | 175 | 301 | 91.0 | 50200 |
| 160 | 6 3/8" | 56102L | 230 | 175 | 301 | 91.0 | 56000 |
| | 6 1/2" | 56104M165L | 230 | 175 | 313 | 94.0 | 56000 |
| | 6 5/8" | 56106L | 240 | 175 | 313 | 94.0 | 62000 |
| 170 | | 56M170L | 240 | 175 | 313 | 94.0 | 62000 |
| | 6 3/4" | 56108L | 240 | 175 | 313 | 99.0 | 62000 |
| | 6 7/8" | 56110M175L | 250 | 175 | 313 | 99.0 | 70000 |
| 175 | 7" | 56112L | 250 | 175 | 320 | 104.0 | 70000 |
| | | 56M180L | 250 | 175 | 320 | 104.0 | 70000 |
| | 7 1/8" | 56114L | 250 | 175 | 320 | 104.0 | 70000 |
| 185 | 7 1/4" | 56116M185L | 260 | 175 | 320 | 104.0 | 75000 |
| | 7 3/8" | 56118L | 260 | 175 | 324 | 107.0 | 75000 |
| | | 56M190L | 260 | 175 | 324 | 107.0 | 75000 |
| 190 | 7 1/2" | 56120L | 260 | 175 | 324 | 107.0 | 75000 |
| | 7 5/8" | 56122M195L | 270 | 175 | 328 | 109.0 | 82000 |
| | 7 3/4" | 56124L | 270 | 175 | 332 | 112.0 | 82000 |
| 200 | 7 13/16" | 56125M200L | 280 | 175 | 332 | 112.0 | 89000 |
| | 7 7/8" | 56126L | 280 | 175 | 332 | 112.0 | 89000 |
| | 8" | 56128L | 280 | 175 | 339 | 115.0 | 89000 |
| 205 | | 56M205L | 290 | 175 | 339 | 115.0 | 93000 |
| | 8 1/8" | 56130L | 290 | 175 | 339 | 115.0 | 96000 |
| | 8 1/4" | 56132M210L | 290 | 175 | 339 | 115.0 | 96000 |
| 210 | 8 3/8" | 56134L | 290 | 175 | 346 | 120.0 | 96000 |
| | | 56M215L | 300 | 175 | 346 | 120.0 | 107000 |
| | 8 1/2" | 56136L | 300 | 175 | 350 | 122.0 | 107000 |
| 220 | | 56M220L | 300 | 175 | 354 | 124.0 | 107000 |
| | 8 3/4" | 56140L | 300 | 175 | 354 | 124.0 | 107000 |
| | 8 7/8" | 56142M225L | 310 | 175 | 357 | 126.0 | 116000 |
| 225 | 9" | 56144L | 310 | 175 | 359 | 128.0 | 116000 |
| | | 56M230L | 310 | 175 | 359 | 128.0 | 116000 |
| | 9 1/8" | 56146L | 320 | 175 | 362 | 131.0 | 125000 |
| 230 | | 56M235L | 320 | 175 | 362 | 131.0 | 125000 |
| | 9 1/4" | 56148L | 320 | 175 | 370 | 133.0 | 125000 |
| | 10 1/4" | 56164L | 340 | 175 | 413 | 145.0 | 160000 |



ADAPTERS



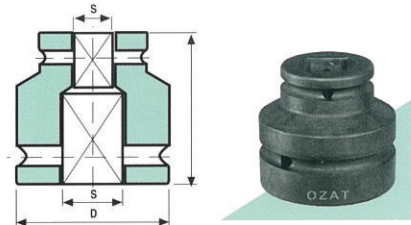
| SQUARE SIZE | | | D | L | Weight |
|-------------|--------|-------------|-----|-----|--------|
| FEMALE | MALE | CATALOG No. | | | |
| 3 1/2" | 2 1/2" | A5640 | 175 | 183 | 15740 |



TWO SIDE FEMALE ADAPTERS



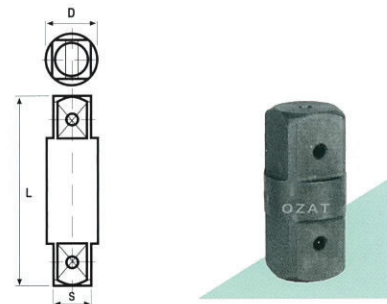
| SQUARE SIZE | | | D | L | Weight |
|-------------|--------|-------------|-----|-----|--------|
| S 1 | S 2 | CATALOG No. | | | |
| 3 1/2" | 2 1/2" | AN5640 | 175 | 161 | 16120 |
| 3 1/2" | 3 1/2" | AN5656 | 175 | 167 | 19400 |



TWO SIDE MALE ADAPTERS



| SQUARE SIZE | | D | L | Weight |
|-------------|-------------|-----|------|--------|
| | CATALOG No. | | | |
| 3 1/2" | Z5610 | 119 | 254 | 23000 |
| 3 1/2" | Z5620 | 119 | 508 | 44000 |
| 3 1/2" | Z5640 | 119 | 1016 | 88000 |



RETAINING PINS AND RING

| FOR SOCKET | | CATALOG No. | | PIN | RING |
|-------------|------------------------|---------------|----------------|------|-----------|
| SQUARE SIZE | DIAMETER OF SQUARE END | RETAINING PIN | RETAINING RING | d mm | L mm D mm |
| 3 1/2" | 175 | P56175 | R56175 | 10 | 160 160 |

