

2 1/2" SQUARE DRIVE

ADAPTERS

SQUARE SIZE			D	L	Weight
FEMALE	MALE	CATALOG No.	mm	mm	gr
2 1/2"	1 1/2"	A4024	127	138	6560
2 1/2"	3 1/2"	A4056	127	142	7960

INSERT ADAPTERS

SQUARE SIZE			D	L	Weight
FEMALE	MALE	CATALOG No.	mm	mm	gr
1"	1-1/2"	AS1624	84	45	569
1-1/2"	2-1/2"	AS2440	137	65	2290

TWO SIDE FEMALE ADAPTERS

SQUARE SIZE			D	L	Weight
S 1	S 2	CATALOG No.	mm	mm	gr
2 -1/2"	1-1/2"	AN4024	127	115	6500
2 -1/2"	2-1/2"	AN4040	127	117	7400
3 -1/2"	2-1/2"	AN5640	175	161	16120

TWO SIDE MALE ADAPTERS

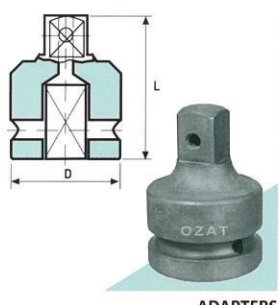
SQUARE SIZE(S)	CATALOG No.	D	L	Weight
		mm	mm	gr
2 1/2"	Z4005	84	127	5000
2 1/2"	Z4006	84	152	6000
2 1/2"	Z4008	84	203	7500
2 1/2"	Z4010	84	254	9500
2 1/2"	Z4015	84	381	15000
2 1/2"	Z4020	84	508	20500
2 1/2"	Z4026	84	660	26500

UNIVERSAL JOINT

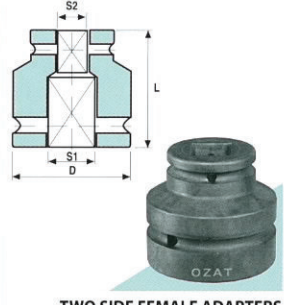
SQUARE SIZE	CATALOG No.	D	L	Weight
		mm	mm	gr
2 1/2"	U4040	127	200	12300

RETAINING PINS AND RING

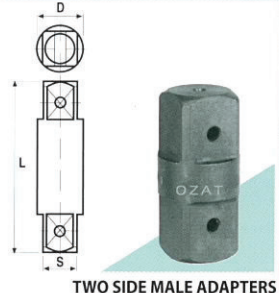
FOR SOCKET		CATALOG No.		PIN		RING	
SQUARE SIZE	DIAMETER OF SQUARE END	RETAINING PIN	RETAINING RING	d	L	D	
				mm	mm	mm	
2 1/2"	127	P40127	R40127	8	110	114	
2 1/2"	150	P40150	R40150	8	133	136	
2 1/2"	175	P40175	R40175	8	158	162	



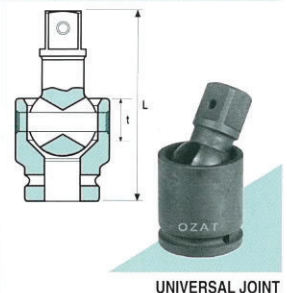
ADAPTERS



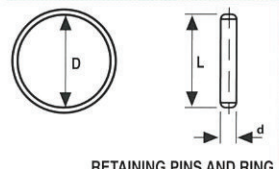
TWO SIDE FEMALE ADAPTERS



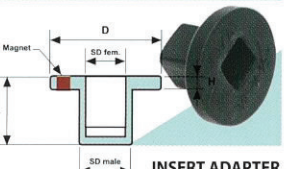
TWO SIDE MALE ADAPTERS



UNIVERSAL JOINT



RETAINING PINS AND RING

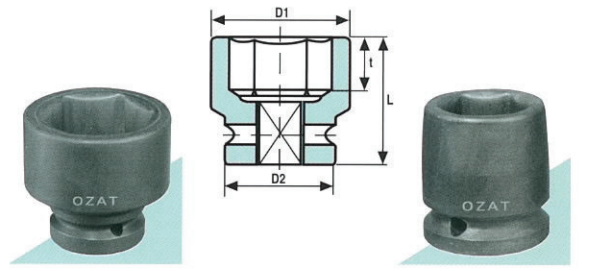


INSERT ADAPTER

3 1/2" SQUARE DRIVE

6 POINT IMPACT SOCKETS REGULAR LENGTH

NOMINAL OPENING			D1	D2	L	t min	Weight
mm	A/F Inch	CATALOG No.	mm	mm	mm	mm	gr
100	3 7/8"	5662	175	175	165	54.0	19200
	3 15/16"	5663M100	175	175	165	54.0	19200
	4"	5664	175	175	165	54.0	19200
105	4 1/16"	5665	175	175	165	54.0	19200
	4 1/8"	5666M105	175	175	165	54.0	19200
	4 3/16"	5667	175	175	174	62.0	19200
110	4 1/4"	5668	175	175	174	62.0	19200
	4 5/16"	5669M110	175	175	174	62.0	19200
	4 3/8"	5670	175	175	174	62.0	19200
115	4 7/16"	5671	175	175	174	62.0	19200
	4 1/2"	5672	175	175	174	62.0	19200
		56M115	175	175	174	62.0	19200
120	4 5/8"	5674	175	175	182	67.0	20100
		56M120	175	175	182	67.0	20100
	4 3/4"	5676	175	175	182	67.0	20100
125	4 7/8"	5678	175	175	182	67.0	20100
		56M125	175	175	182	67.0	20100
	5"	5680	190	175	190	72.0	22200
130	5 1/8"	5682M130	190	175	198	76.0	22200
	5 3/16"	5683	190	175	198	76.0	22200
	5 1/4"	5684	190	175	198	76.0	22200
135	5 5/16"	5685M135	190	175	198	76.0	22200
	5 3/8"	5686	200	175	198	76.0	23000
	5 1/2"	5688M140	200	175	205	79.0	23000
140	5 5/8"	5690	210	175	212	83.0	33100
		56M145	210	175	212	83.0	33100
	5 3/4"	5692	210	175	212	83.0	33100
145	5 7/8"	5694M150	210	175	212	88.0	33100
	6"	5696	220	175	214	88.0	36000
		56M155	220	175	214	88.0	36000
150	6 1/8"	5698	220	175	214	88.0	36000
	6 1/4"	56100	220	175	218	91.0	36000
		56M160	220	175	218	91.0	36000
160	6 3/8"	56102	230	175	218	91.0	40000
	6 1/2"	56104M165	230	175	230	94.0	40000
	6 5/8"	56106	240	175	230	94.0	46000
170		56M170	240	175	230	94.0	46000
	6 3/4"	56108	240	175	230	99.0	46000
	6 7/8"	56110M175	250	175	230	99.0	52000
175	7"	56112	250	175	237	104.0	52000
		56M180	250	175	237	104.0	52000
	7 1/8"	56114	250	175	237	104.0	52000
180	7 1/4"	56116M185	260	175	237	104.0	59000
	7 3/8"	56118	260	175	242	107.0	59000
		56M190	260	175	242	107.0	59000
185	7 1/2"	56120	260	175	242	107.0	59000
	7 5/8"	56122M195	270	175	246	109.0	62000
	7 3/4"	56124	270	175	249	112.0	62000
190	7 13/16"	56125M200	280	175	249	112.0	70000
	7 7/8"	56126	280	175	249	112.0	70000
	8"	56128	280	175	256	115.0	70000
195		56M205	290	175	256	115.0	72000
	8 1/8"	56130	290	175	256	115.0	74000
	8 1/4"	56132M210	290	175	256	115.0	74000
200	8 3/8"	56134	290	175	263	120.0	74000
		56M215	300	175	263	120.0	81000
	8 1/2"	56136	300	175	267	122.0	81000
205		56M220	300	175	270	124.0	81000
	8 7/8"	56142M225	310	175	273	126.0	90000
	9"	56144	310	175	276	128.0	90000
210		56M230	310	175	276	128.0	90000
	9 1/8"	56146	320	175	279	131.0	96000
		56M235	320	175	279	131.0	96000
215	9 1/4"	56148	320	175	285	133.0	96000
		56M240	320	175	285	133.0	96000
	10 1/4"	56164	340	175	330	145.0	128000

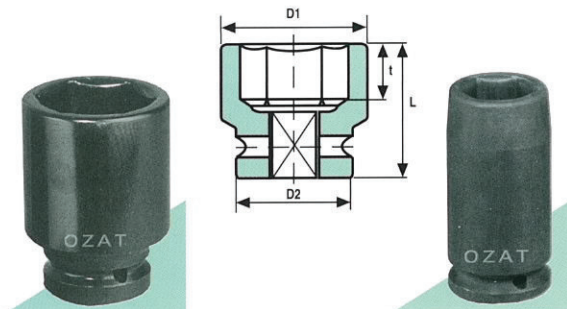




6 POINT IMPACT SOCKETS LONG



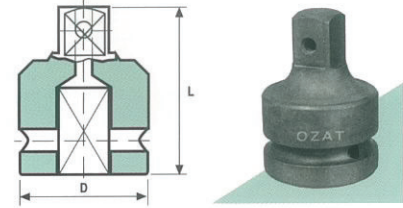
NOMINAL OPENING		D1	D2	L	t min	Weight	
mm	A/F Inch						CATALOG No.
100	3 7/8"	5662L	175	175	277	54.0	32000
	3 15/16"	5663M100L	175	175	277	54.0	32000
	4"	5664L	175	175	277	54.0	32000
105	4 1/16"	5665L	175	175	277	54.0	32000
	4 1/8"	5666M105L	175	175	277	54.0	32000
	4 3/16"	5667L	175	175	277	62.0	32000
110	4 1/4"	5668L	175	175	277	62.0	32000
	4 5/16"	5669M110L	175	175	277	62.0	32000
	4 3/8"	5670L	175	175	277	62.0	32000
115	4 7/16"	5671L	175	175	277	62.0	32000
	4 1/2"	5672L	175	175	277	62.0	32000
		56M115L	175	175	277	62.0	32000
120	4 5/8"	5674L	175	175	277	67.0	32000
		56M120L	175	175	277	67.0	32000
	4 3/4"	5676L	175	175	277	67.0	32000
125	4 7/8"	5678L	175	175	277	67.0	32000
		56M125L	175	175	277	67.0	32000
	5"	5680L	190	175	277	72.0	35000
130	5 1/8"	5682M130L	190	175	280	76.0	35000
	5 3/16"	5683L	190	175	280	76.0	35000
	5 1/4"	5684L	190	175	280	76.0	35000
135	5 5/16"	5685M135L	190	175	280	76.0	35000
	5 3/8"	5686L	200	175	280	76.0	40000
	5 1/2"	5688M140L	200	175	288	79.0	40000
140	5 5/8"	5690L	210	175	295	83.0	45600
		56M145L	210	175	295	83.0	45600
	5 3/4"	5692L	210	175	295	83.0	45600
150	5 7/8"	5694M150L	210	175	295	88.0	45600
	6"	5696L	220	175	297	88.0	50200
		56M155L	220	175	297	88.0	50200
155	6 1/8"	5698L	220	175	297	88.0	50200
	6 1/4"	56100L	220	175	301	91.0	50200
		56M160L	220	175	301	91.0	50200
160	6 3/8"	56102L	230	175	301	91.0	56000
	6 1/2"	56104M165L	230	175	313	94.0	56000
	6 5/8"	56106L	240	175	313	94.0	62000
170		56M170L	240	175	313	94.0	62000
	6 3/4"	56108L	240	175	313	99.0	62000
	6 7/8"	56110M175L	250	175	313	99.0	70000
175	7"	56112L	250	175	320	104.0	70000
		56M180L	250	175	320	104.0	70000
	7 1/8"	56114L	250	175	320	104.0	70000
185	7 1/4"	56116M185L	260	175	320	104.0	75000
	7 3/8"	56118L	260	175	324	107.0	75000
		56M190L	260	175	324	107.0	75000
190	7 1/2"	56120L	260	175	324	107.0	75000
	7 5/8"	56122M195L	270	175	328	109.0	82000
	7 3/4"	56124L	270	175	332	112.0	82000
200	7 13/16"	56125M200L	280	175	332	112.0	89000
	7 7/8"	56126L	280	175	332	112.0	89000
	8"	56128L	280	175	339	115.0	89000
205		56M205L	290	175	339	115.0	93000
	8 1/8"	56130L	290	175	339	115.0	96000
	8 1/4"	56132M210L	290	175	339	115.0	96000
210	8 3/8"	56134L	290	175	346	120.0	96000
		56M215L	300	175	346	120.0	107000
	8 1/2"	56136L	300	175	350	122.0	107000
220		56M220L	300	175	354	124.0	107000
	8 3/4"	56140L	300	175	354	124.0	107000
	8 7/8"	56142M225L	310	175	357	126.0	116000
225	9"	56144L	310	175	359	128.0	116000
		56M230L	310	175	359	128.0	116000
	9 1/8"	56146L	320	175	362	131.0	125000
230		56M235L	320	175	362	131.0	125000
	9 1/4"	56148L	320	175	370	133.0	125000
	10 1/4"	56164L	340	175	413	145.0	160000



ADAPTERS



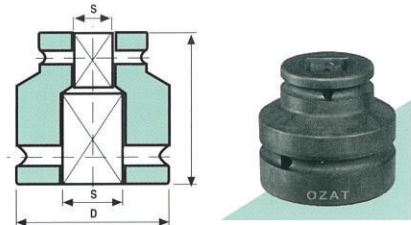
SQUARE SIZE			D	L	Weight
FEMALE	MALE	CATALOG No.			
3 1/2"	2 1/2"	A5640	175	183	15740



TWO SIDE FEMALE ADAPTERS



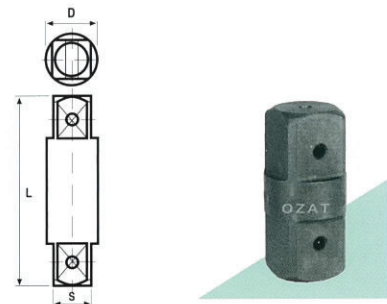
SQUARE SIZE			D	L	Weight
S 1	S 2	CATALOG No.			
3 1/2"	2 1/2"	AN5640	175	161	16120
3 1/2"	3 1/2"	AN5656	175	167	19400



TWO SIDE MALE ADAPTERS



SQUARE SIZE		D	L	Weight
	CATALOG No.			
3 1/2"	Z5610	119	254	23000
3 1/2"	Z5620	119	508	44000
3 1/2"	Z5640	119	1016	88000



RETAINING PINS AND RING

FOR SOCKET		CATALOG No.		PIN	RING
SQUARE SIZE	DIAMETER OF SQUARE END	RETAINING PIN	RETAINING RING	d mm	L mm D mm
3 1/2"	175	P56175	R56175	10	160 160

